

6

5

4

3

2

1

E

E

D

D

C

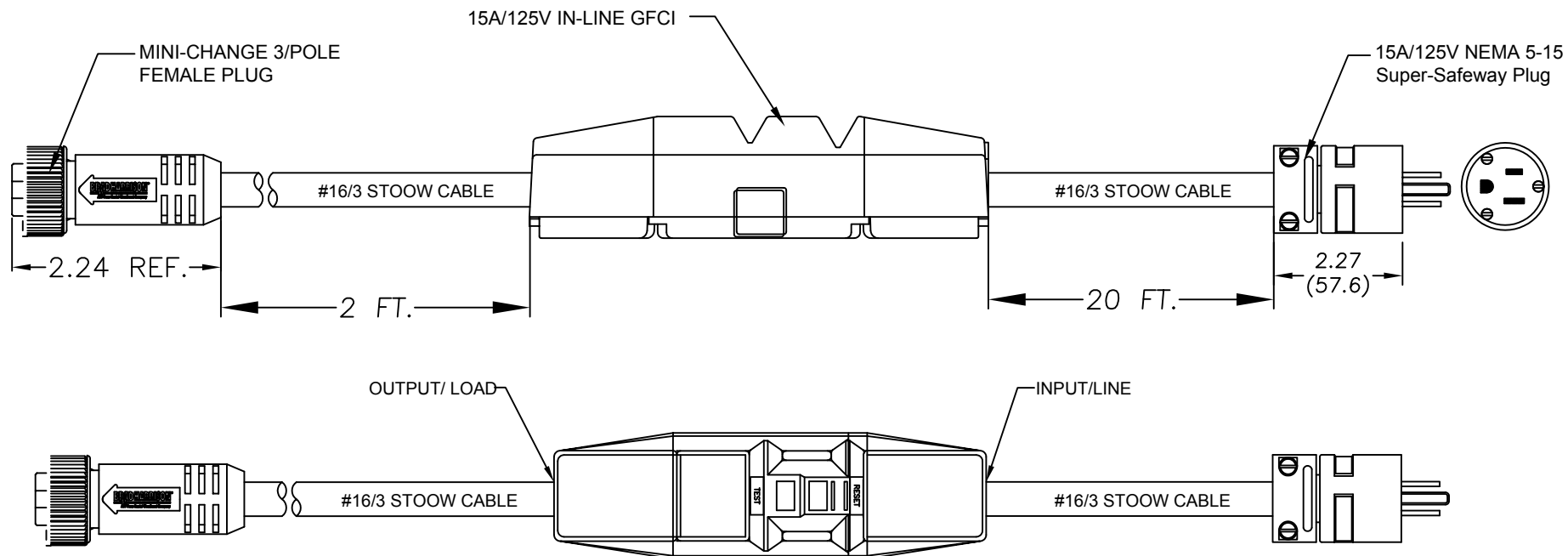
C

B

B

A

A



RELEASE DRAWING EC NO: WNA2011-0323 DRWN: TVICKERS 2010/10/26 CHKD: HK APPR: DTITUS 2010/12/17	DESCRIPTION I REV	QUALITY SYMBOLS $\nabla=0$ $\sphericalangle=0$	GENERAL TOLERANCES (UNLESS SPECIFIED)		DIMENSION STYLE IN/MM		SCALE NTS	DESIGN UNITS INCH	THIRD ANGLE PROJECTION	
		4 PLACES ±--- ±--- 3 PLACES ±--- ±.005 2 PLACES ±0.13 ±.010 1 PLACE ±0.25 ±.020	mm INCH ±--- ±--- ±--- ±.005 ±0.13 ±.010 ±0.25 ±.020	DRAWN BY TVICKERS	DATE 2010/10/26	TITLE 103000A01F020 W/ IN-LINE 15A/125V GFCI & 1447 PLUG				
		ANGULAR ±.5°		CHECKED BY HK	DATE 2010/10/26	MOLEX INCORPORATED				
		DRAFT WHERE APPLICABLE MUST REMAIN WITHIN DIMENSIONS		APPROVED BY DTITUS	DATE 2010/12/17	MATERIAL NO. 1301430350	DOCUMENT NO. SD-130143-006	SHEET NO. 1 OF 1		
		SIZE A	THIS DRAWING CONTAINS INFORMATION THAT IS PROPRIETARY TO MOLEX INCORPORATED AND SHOULD NOT BE USED WITHOUT WRITTEN PERMISSION							

6

5

4

3

2

1