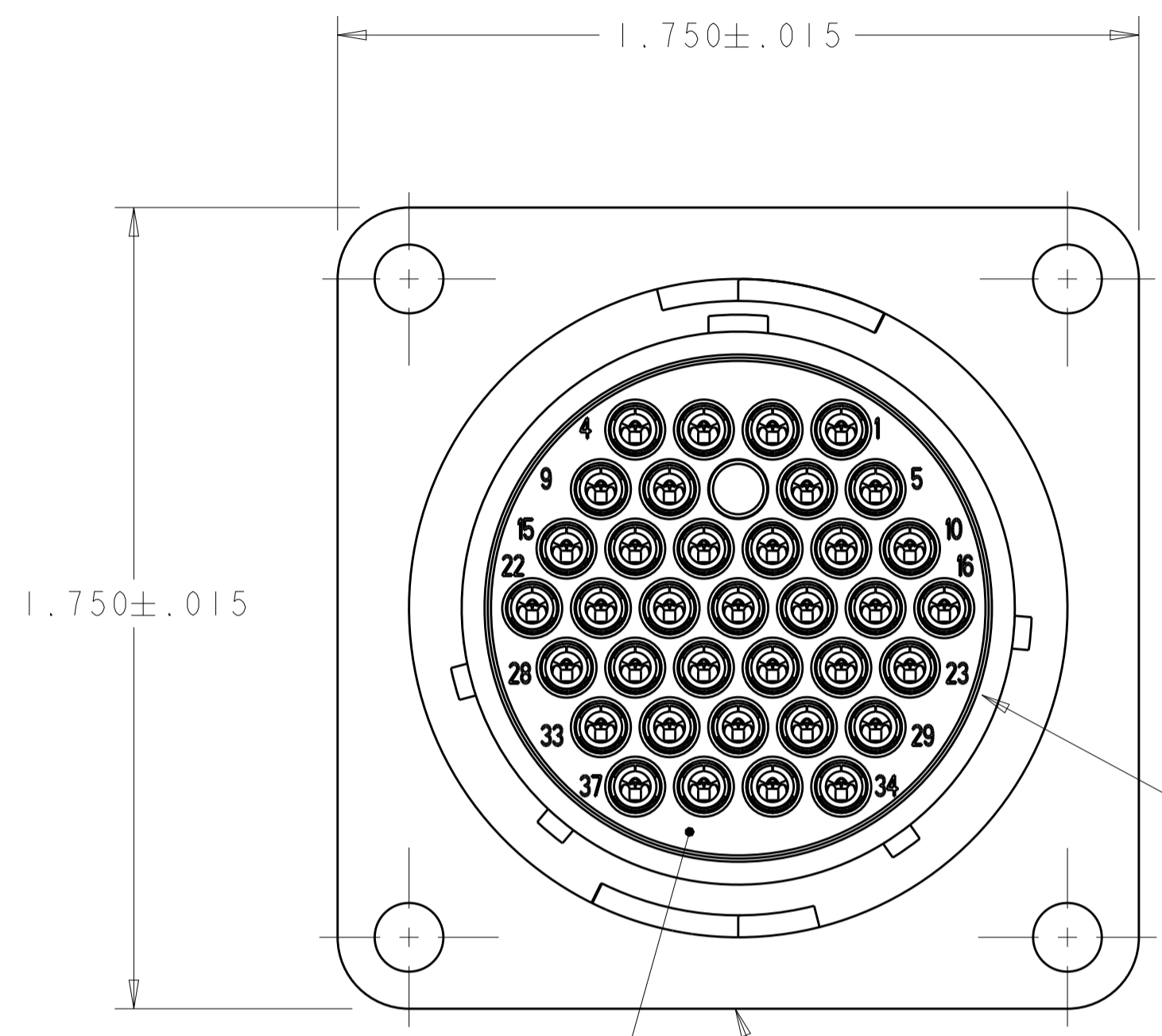
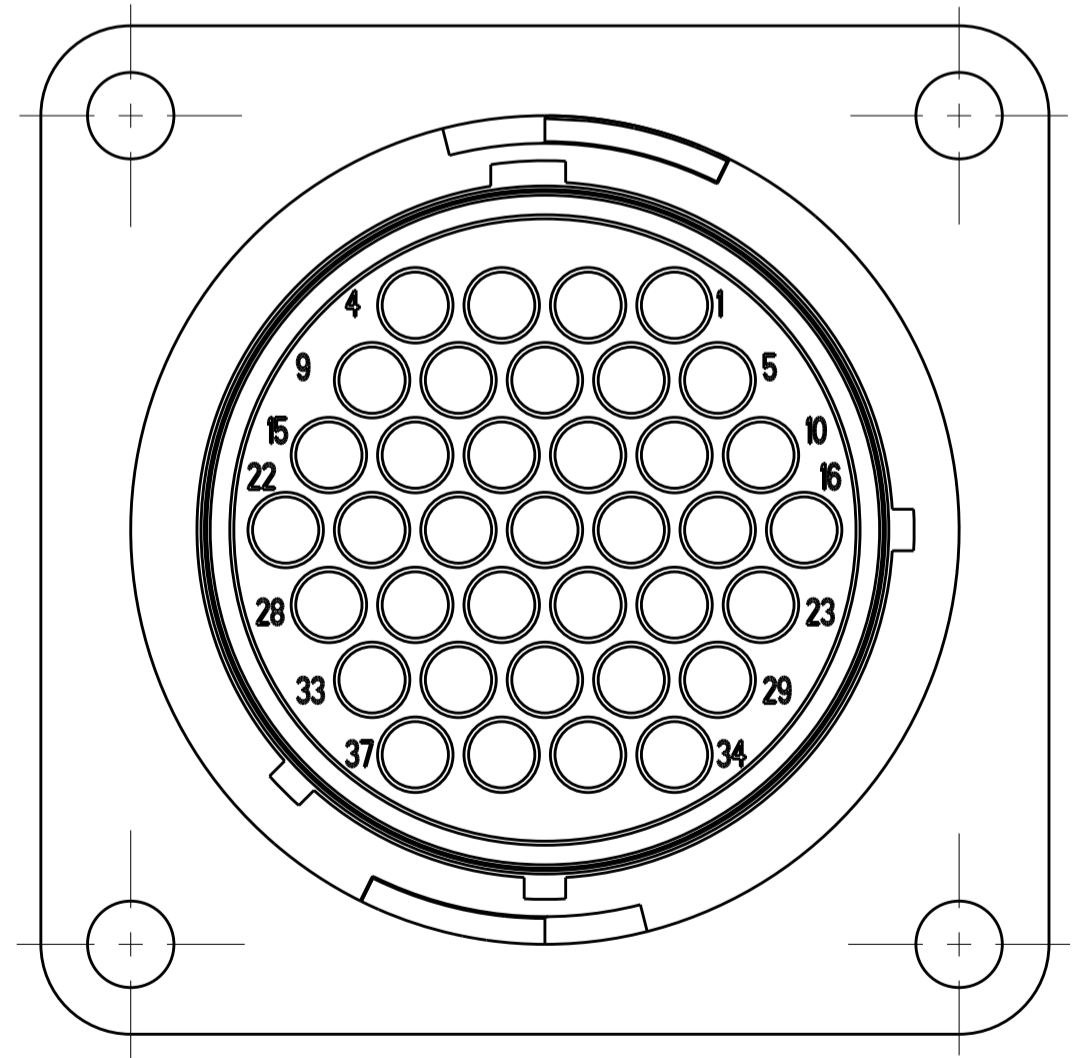
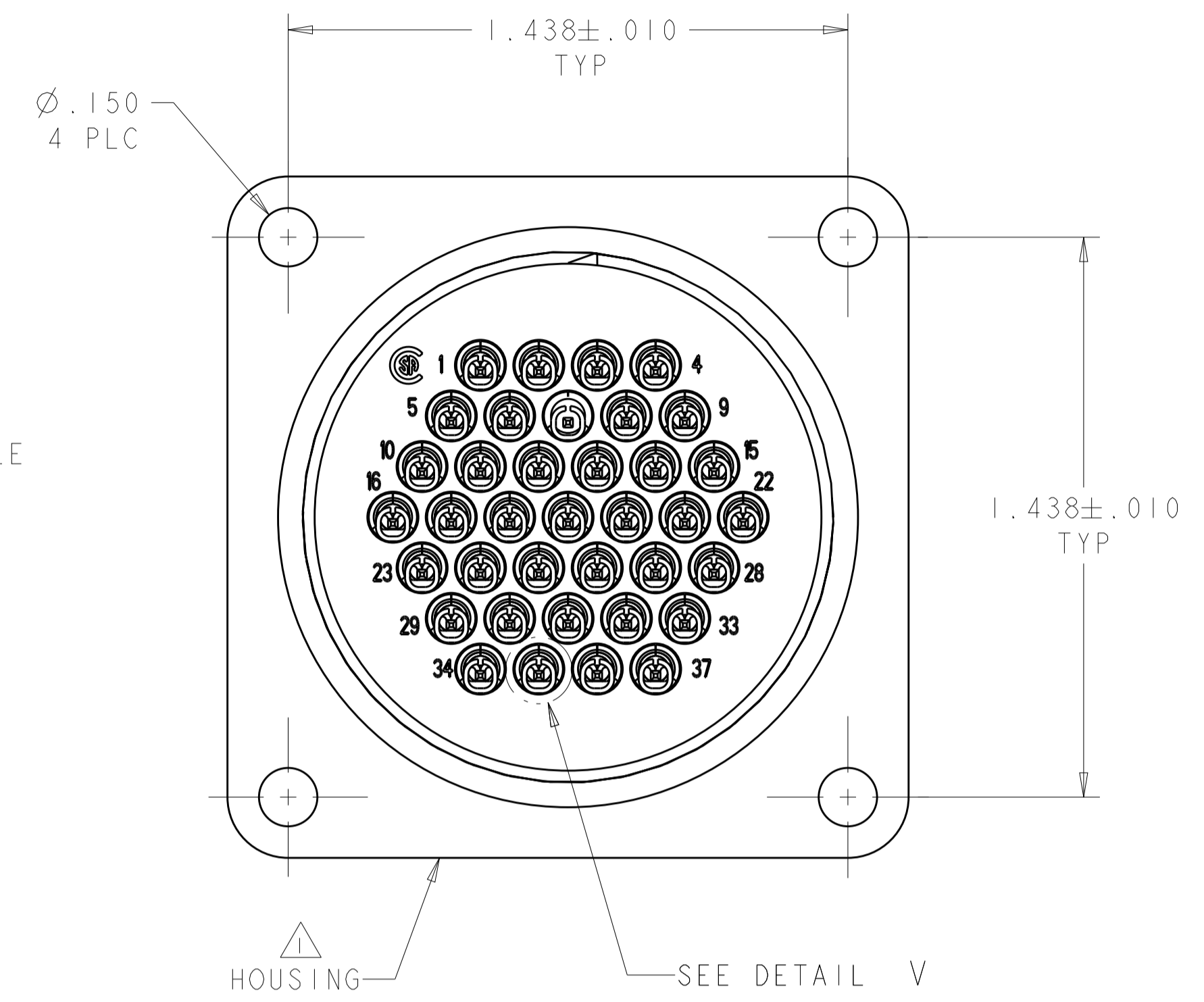
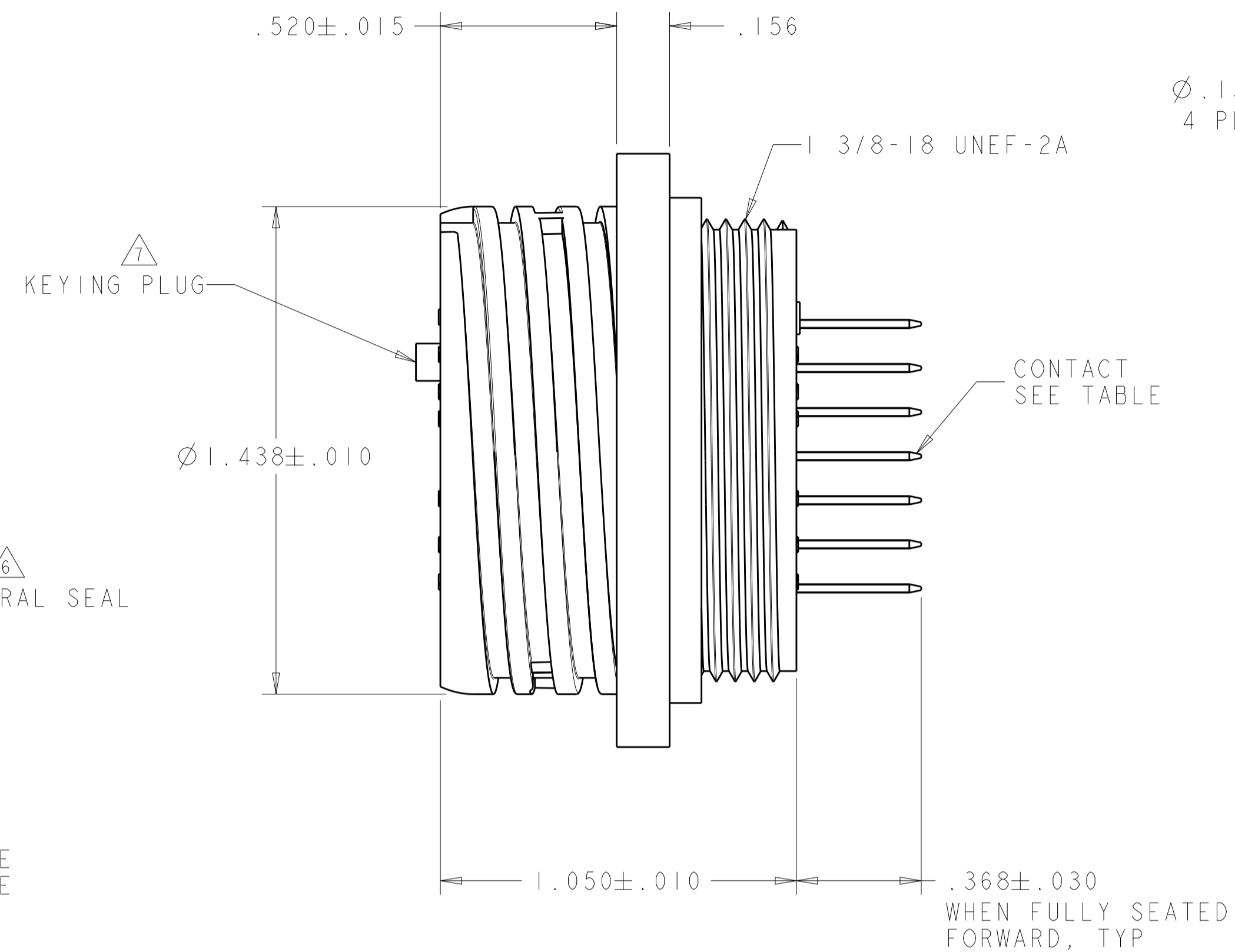


REVISIONS					
P.	LTN	DESCRIPTION	DATE	DWN	APVD
W		REVISED PER ECO-12-015665	26SEP12	KH	MZ
Y		REVISED PER ECO-16-018356	23MAR2017	RS	MZ



"A" STYLE KEYING



"B" STYLE KEYING

- △ HOUSING: THERMOPLASTIC, COLOR: BLACK.
- △ CONTACT:
 BODY - .000100 MIN TIN-LEAD OVER .000050 MIN NICKEL.
 POST - .000100 MIN TIN-LEAD OVER .000050 MIN NICKEL.
- △ CONTACT:
 BODY - .000030 MIN GOLD FOR A LENGTH OF .200 MIN FROM MATING END, .000005 MIN GOLD ON REMAINDER ALL OVER .000030 MIN NICKEL.
 POST - .000100 MIN TIN-LEAD OVER .000050 MIN NICKEL.
- △ CONTACT:
 BODY - .000100 MIN TIN-LEAD OVER .000050 MIN NICKEL.
 POST - .000030 MIN GOLD OVER .000050 MIN NICKEL.
- △ CONTACT:
 BODY - .000100 MIN TIN OVER .000050 MIN NICKEL.
 POST - .000100 MIN TIN OVER .000050 MIN NICKEL.
- △ PERIPHERAL SEAL: ELASTOMER, COLOR: GRAY.
- △ KEYING PLUG: NYLON, COLOR: NATURAL.
- △ .009 MAXIMUM CONTACT LEAD-IN SEAM GAP PERMISSIBLE ON MATING FACE END.
- △ OBSOLETE PARTS: OBSOLETE CIS STREAMLINING PER D.RENAUD/D.SINISI

OBSOLETE	YES	B	POSN 7	△5	1-6,8-37	1-213828-9	
	YES	A	-	△5	1-22,29-37	1-213828-8	
	YES	A	-	△5	ALL	1-213828-6	
	YES	B	POSN 7	△5	1-6,8-37	1-213828-5	
	YES	A	-	△5	1-22,29-37	1-213828-4	
	YES	A	POSN 15	△5	1-14,16-37	1-213828-3	
	YES	B	POSN 7	△2	2-6,8-37	1-213828-2	
YES	B	POSN 7	△2	1-6,8-37	1-213828-1		
YES	A	-	△2	1-22,29-37	1-213828-0		
OBSOLETE	YES	A	-	△4	ALL	213828-9	
△9	OBSOLETE	YES	B	POSN 7	△2	2-6,8-37	213828-8
OBSOLETE	NO	A	-	△3	1-22,29-37	213828-7	
OBSOLETE	NO	B	POSN 7	△3	1-6,8-37	213828-6	
OBSOLETE	NO	A	POSN 15	△3	1-14,16-37	213828-5	
△9	OBSOLETE	YES	B	POSN 7	△2	1-6,8-37	213828-4
△9	OBSOLETE	YES	A	POSN 15	△2	1-14,16-37	213828-3
△9	OBSOLETE	YES	A	-	△2	1-22,29-37	213828-2
△9	OBSOLETE	YES	A	-	△2	ALL	213828-1
	PERIPHERAL SEAL	KEYING STYLE	KEYING PLUG	CONTACT FINISH	SELECT LOADED IN POSITIONS	PART NUMBER	

THIS DRAWING IS A CONTROLLED DOCUMENT. DWN S.WELDON 22MAY2003
 CH S.HEADER 22MAY2003
 APVD S.HEADER 22MAY2003

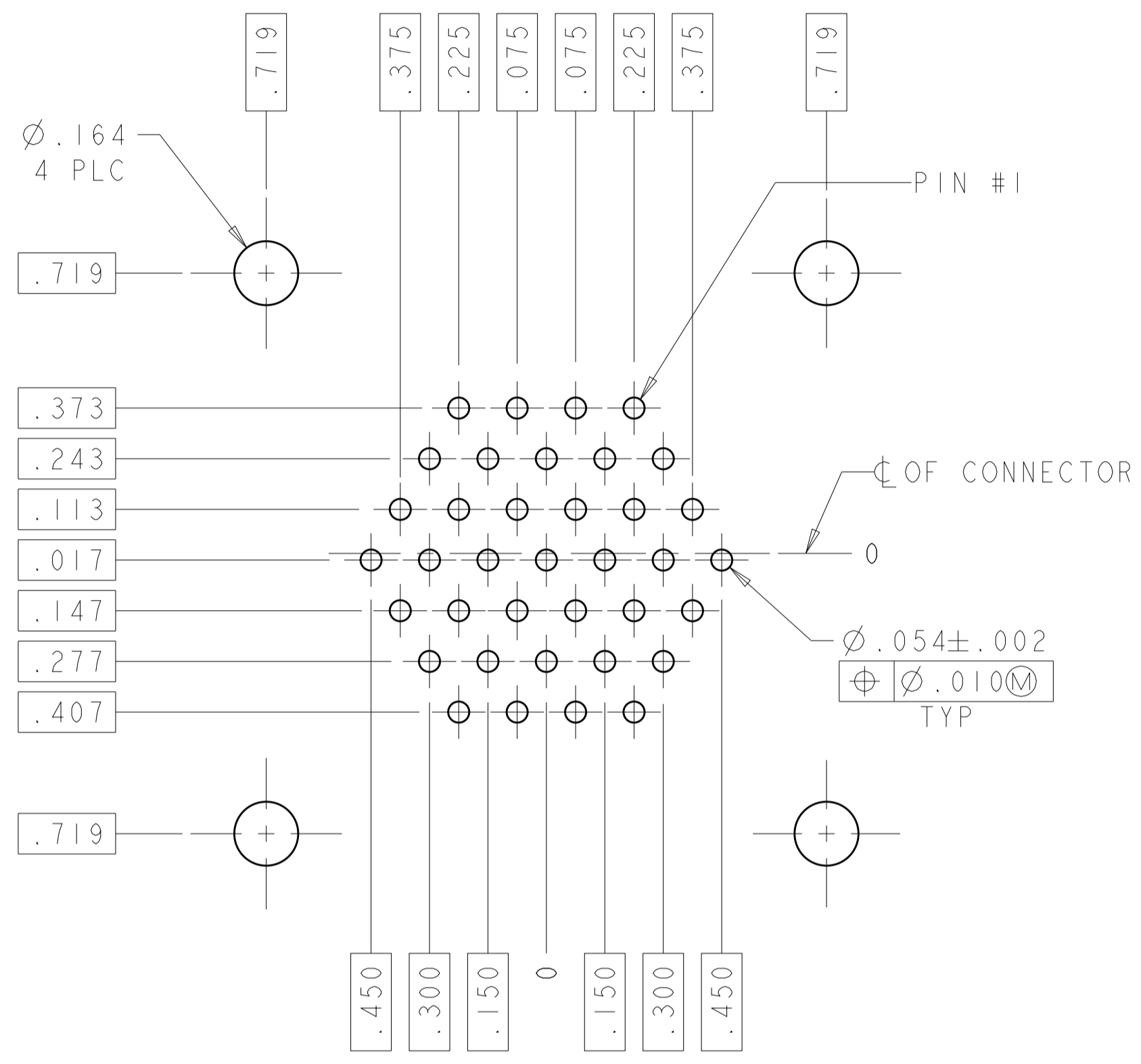
TE Connectivity

RECEPTACLE ASSEMBLY, POSTED, REVERSE SEX, SERIES 1, 23-37, CPC

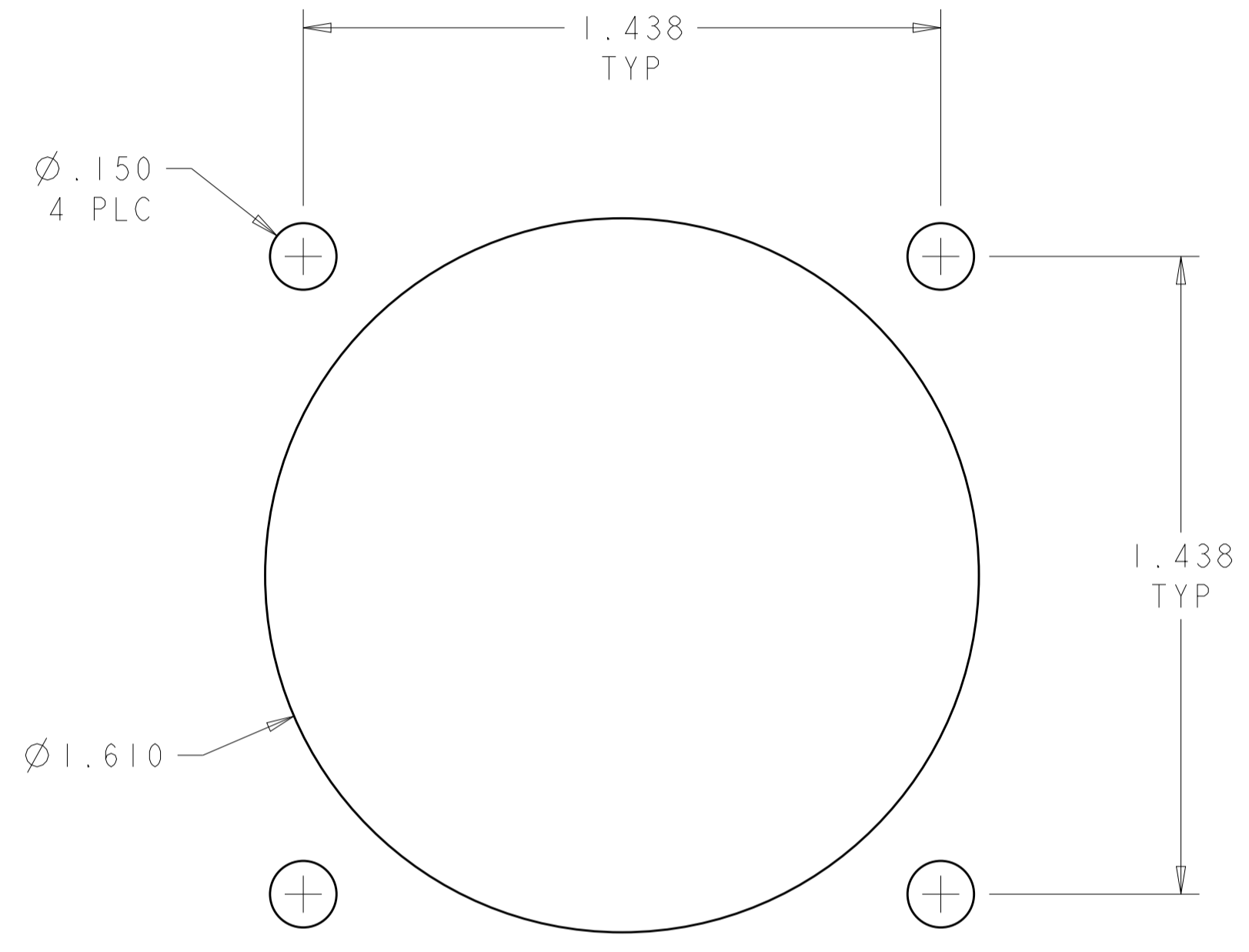
SIZE CAGE CODE DRAWING NO RESTRICTED TO
 A100779C=213828

CUSTOMER DRAWING SCALE 3:1 SHEET 1 OF 2 REV Y

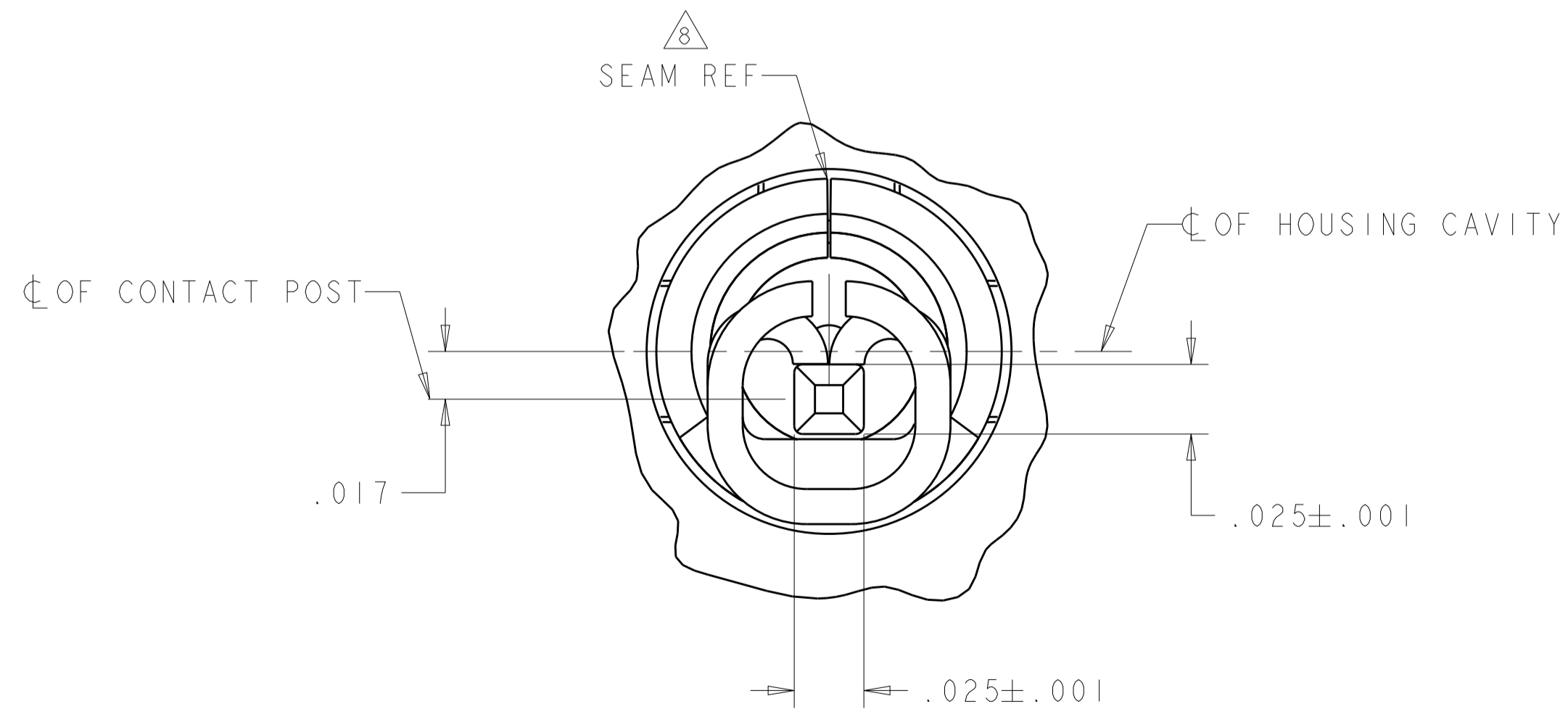
REVISIONS				
P.	LTN	DESCRIPTION	DATE	APVD
-	-	SEE SHEET 1	-	-



RECOMMENDED PC BOARD LAYOUT



RECOMMENDED PANEL CUTOUT
 .125 MAX PANEL THICKNESS



DETAIL V
 SCALE 20:1

THIS DRAWING IS A CONTROLLED DOCUMENT.		DWN S.WELDON 22MAY2003	TE Connectivity
DIMENSIONS: INCHES		CHK S.HEADER 22MAY2003	
TOLERANCES UNLESS OTHERWISE SPECIFIED:		APVD S.HEADER 22MAY2003	NAME RECEPTACLE ASSEMBLY, POSTED, REVERSE SEX, SERIES 1, 23-37, CPC
0 PLC ±.0	1 PLC ±0.0	PRODUCT SPEC 108-10024	SIZE CAGE CODE DRAWING NO RESTRICTED TO
2 PLC ±0.00	3 PLC ±0.010	APPLICATION SPEC 114-10004	A100779C=213828
4 PLC ±0.0000	ANGLES ±.0	WEIGHT	SCALE 3:1 SHEET 2 OF 2 REV Y
MATERIAL	FINISH	CUSTOMER DRAWING	