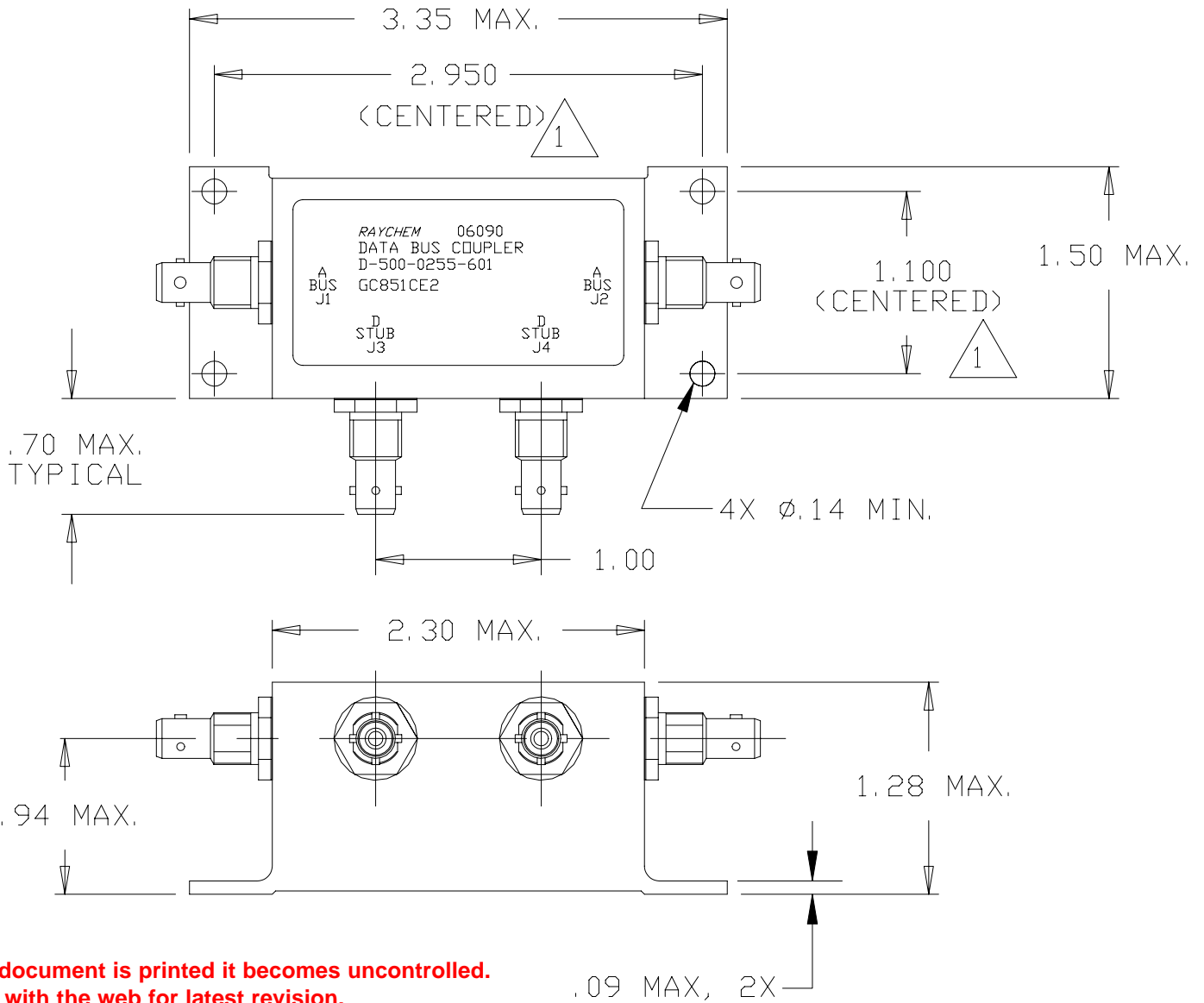


REVISIONS			
LTR	DESCRIPTION	DATE	APPROVED
C	REVISED AND REDRAWN ON CAD PER ECN# T-16598		

NOTES:

1 HOLE PATTERN MACHINED SYMMETRIC WITHIN MOUNTING FLANGE.



SPECIFICATION CONTROL DRAWING © Raychem Corporation 1991

UNLESS OTHERWISE SPECIFIED  
DIMENSIONS ARE IN INCHES.  
METRIC DIMENSIONS ARE  
IN BRACKETS.

DECIMALS  
.XXX ± .005 { — mm }  
.XX ± .01 { — mm }  
ANGLES  
.X — ± —  
WEIGHT  
— lbs { — g }

DRAWN	J. B. K.	91 AUG 12
CHECKED		
APPROVED		
APPROVED		
CAD NAME	9114-1	
THIRD ANGLE PROJECTION		

		RAYCHEM CORPORATION 300 CONSTITUTION DRIVE MENLO PARK, CALIFORNIA 94025	
TITLE			
2 STUB DATA BUS BAYONET COUPLER WITH TRIAXIAL CONNECTORS			
SIZE	CODE IDENT. NO.	DWG. NO.	REV
A	06090	D-500-0255-601	C
DO NOT SCALE THIS DRAWING			SHEET 1 OF 2

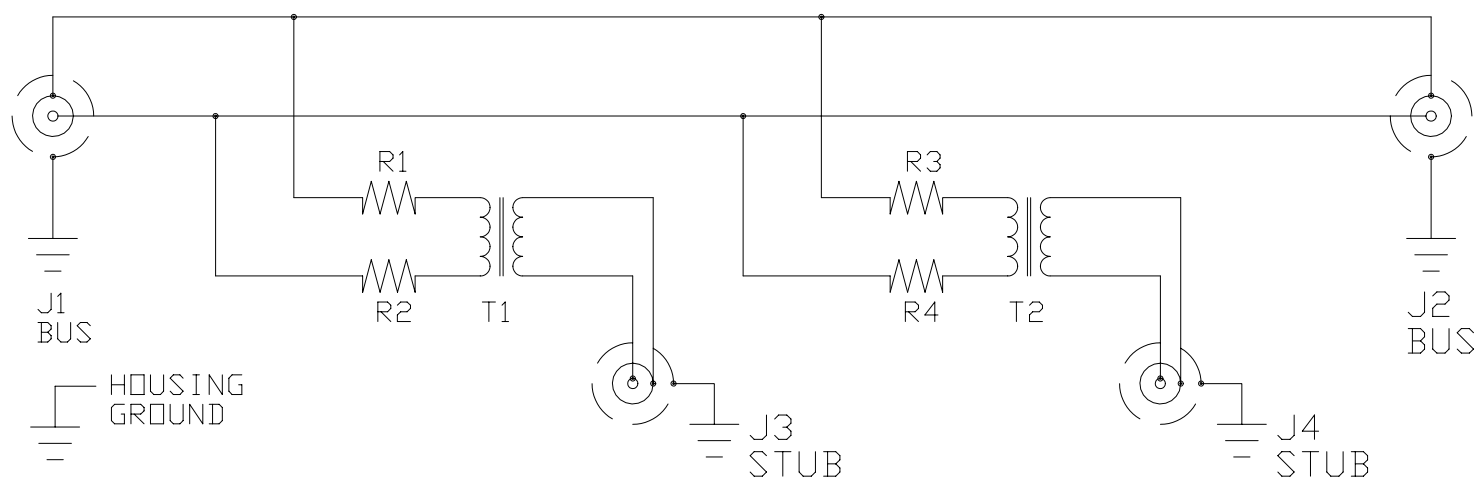
## 1.0 INTERMATEABILITY

- 1.1 POSITION J1 AND J2 WITH D-602-0127 CONTACT INSTALLED WILL MATE WITH INTERFACE A, WITH D-602-0126 CONTACT INSTALLED.
- 1.2 POSITION J3 AND J4, WITH D-602-0126 CONTACT INSTALLED, WILL MATE WITH INTERFACE D, WITH D-602-0127 CONTACT INSTALLED.

## 2.0 PERFORMANCE

- 2.1 THIS COUPLER IS DESIGNED TO MEET THE APPLICABLE FUNCTIONAL REQUIREMENT OF RAYCHEM SPECIFICATION D-6021.
- 2.2 THE COUPLER SHALL OPERATE UNDER ANY OF THE ENVIRONMENTAL SERVICE CONDITIONS AS SPECIFIED IN MIL-C-39012 FOR NON-HERMETIC PART.
- 2.3 ALTITUDE: SEA LEVEL TO 50,000 FEET
- 2.4 OPERATING TEMPERATURE RANGE:  $-55^{\circ}\text{C}$  TO  $+125^{\circ}\text{C}$
- 2.5 ELECTRICAL REQUIREMENTS: PER PARA(S). 3.6.1 THRU 3.6.7 AND 3.6.11 THRU 3.6.12 OF RAYCHEM SPECIFICATION D-6020
- 2.6 SALT SPRAY CORROSION RESISTANCE: 500 HOURS

### SCHEMATIC DIAGRAM



**If this document is printed it becomes uncontrolled.  
Check with the web for latest revision.**

CAD NAME: 9114-2

DRAWN

J. B. K.

91 AUG 12

SIZE

CODE IDENT. NO.

DWG. NO.

REV

A

06090

D-500-0255-601

C

ISSUED

DO NOT SCALE THIS DRAWING

SHEET 2 OF 2