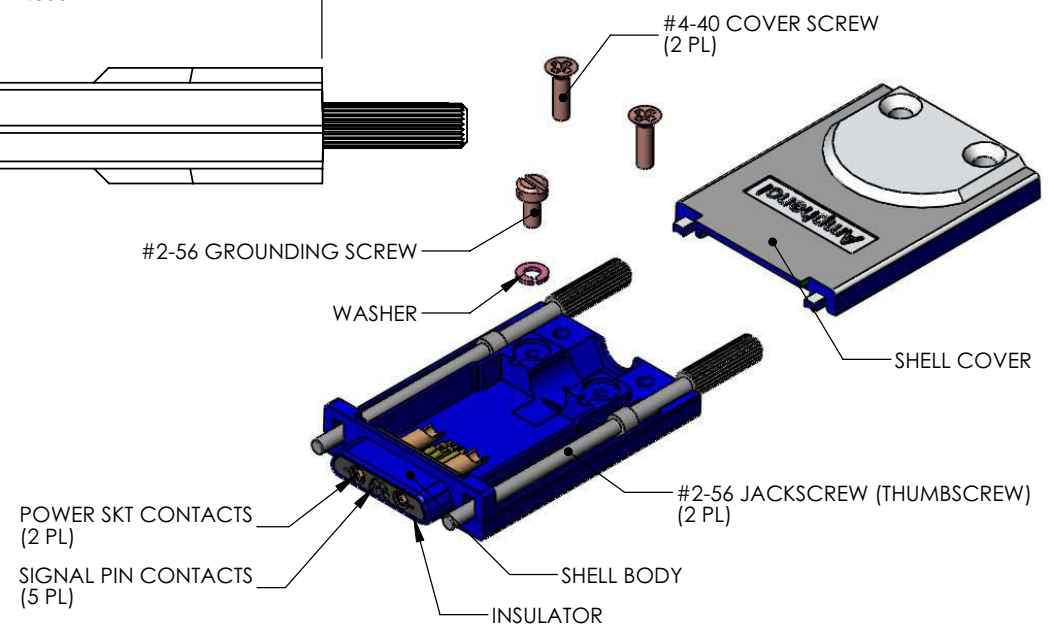
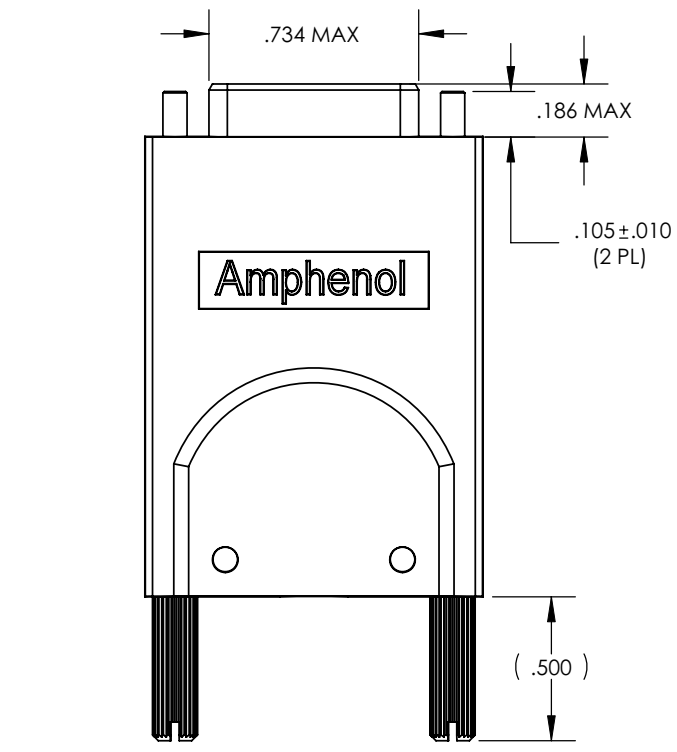
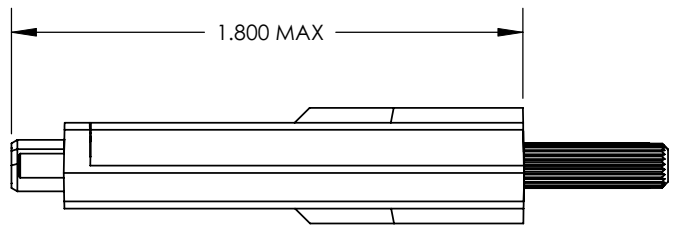
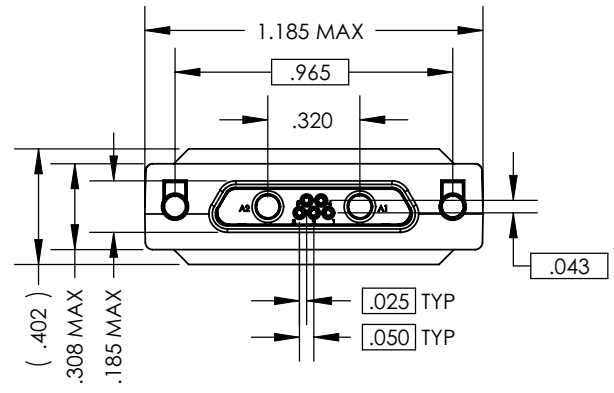
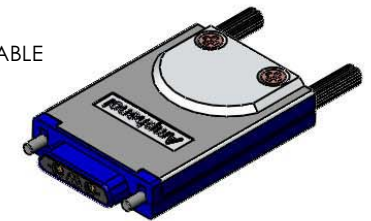


REV	DESCRIPTION	DATE	APPRD
E	DIMENSIONAL DETAILS ADDED	FEB 7/08	WH



- CONNECTOR TO MATE WITH PII-463
- PERFORMANCE:
CONNECTOR MEETS REQUIREMENTS OF MIL-DTL-83513/01 WHERE APPLICABLE
DIELECTRIC WITHSTANDING VOLTAGE: SAE LEVEL 600 VAC
INSULATION RESISTANCE: 5000 MEGOHMS MINIMUM
TEMPERATURE RATING: -55°C TO +85°C
VIBRATION PER MIL-DTL-83513 OR MIL-STD-202G (METHOD 214A)
- ASSEMBLE, INSPECT, AND TEST I.A.W. MIL-DTL-83513
- MATERIAL AND FINISH:
SHELL: ZINC DIE CAST, ELECTROLESS NICKEL PLATE PER MIL-C-26074
CONTACT: SUITABLE COPPER ALLOY WITH GOLD PLATE PER MIL-G-45204, OVER NICKEL PLATE PER QQ-N-290
INSULATOR: POLYPHENYLENE SULFIDE PER MIL-M-24519, TYPE GST-40F OR EQUIVALENT
POTTING: EPOXY EP1730-1 OR EP1738-59
HARDWARE: STAINLESS STEEL, PASSIVATED
- MARKINGS: "Aph", DATE CODE AND PART NUMBER "PII-468-1"



NOTES: (UNLESS OTHERWISE SPECIFIED)

CAVITY IDENTIFICATION NUMBERS ARE FOR REFERENCE ONLY AND DO NOT APPEAR ON THE ACTUAL PART

RELEASED / Feb . 24 2011, 10:33:39 AM

THIRD ANGLE PROJECTION 		THIS DRAWING CONTAINS PROPRIETARY INFORMATION AND IS THE PROPERTY OF AMPHENOL CANADA CORPORATION. IT MAY NOT BE ISSUED FOR MANUFACTURE OR SALE, REPRODUCED, TRANSMITTED OR OTHERWISE DISCLOSED TO ANY OTHER PARTY WITHOUT WRITTEN CONSENT FROM AMPHENOL CANADA CORPORATION.		Amphenol Canada Corp. 605 Milner Ave., Toronto, ON M1B 5X6 Phone: (416) 291-4401 Fax: (416) 292-0647	
UNLESS OTHERWISE SPECIFIED ALL DIMENSIONS ARE INCHES		DRAWN: W. HO	DATE: FEB 7/08	TITLE: MICRO-D PLUG WITH INTEGRATED EMI BACKSHELL	
STANDARD TOLERANCES: X .XX .XXX ANGLE ±.1 ±.01 ±.005 ±.5°		CHECKED:	DATE:	SIZE: A	
MATERIAL SPECIFICATION:		APPROVED:	DATE:	FSCM No.: OAEZ1	DWG. No.: PII-468-1-CU
SALES ORDER No.:	PART No.:	ER#:	SCALE: DO NOT SCALE	REV: E	SHT 1 of 1
EAR No.:	CUSTOMER:	CUSTOMER PIN:	SOLIDWORKS FILE No.:		