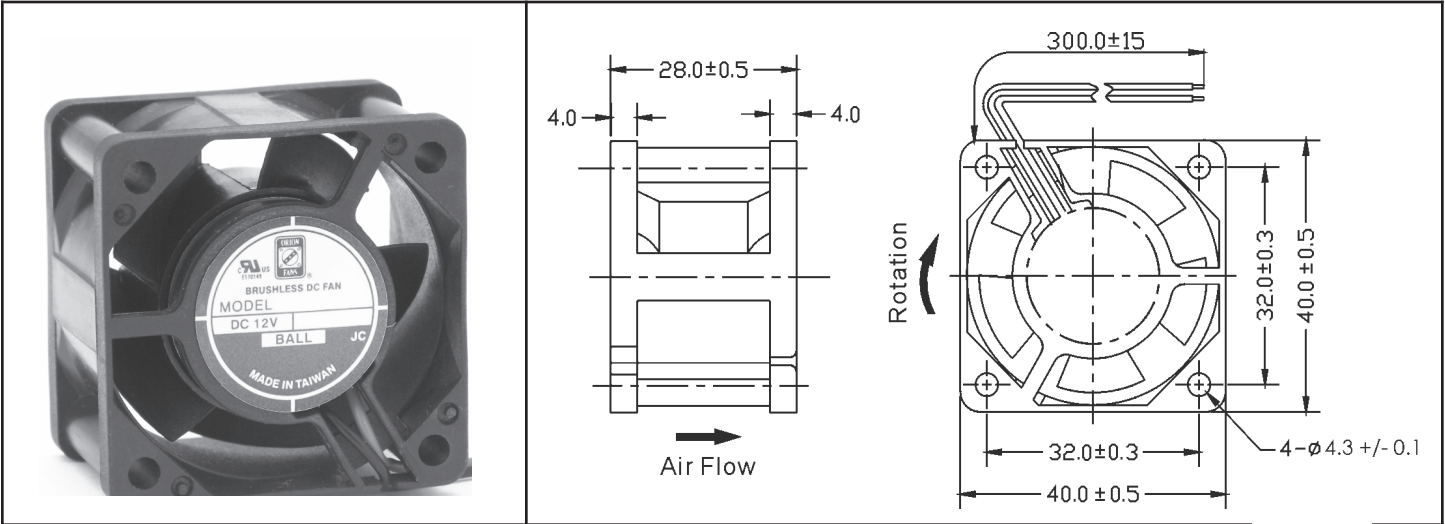


# OD4028 Series



DC Fan - 5, 12, 24V  
40x28mm (1.58"x 1.10")



<b>Frame &amp; Impeller</b>	PBT, UL94V-0 plastic	<b>Available Options:</b> Tachometer Alarm PWM (Pulse Width Modulated speed control) Thermistor (Thermal Speed Control) Life Expectancy (L10) Ball - 60,000 hrs (45C) Sleeve - 30,000 hrs (45C) Operating Temperature Ball: -20C ~ 75C Sleeve: -10C ~ 50C Weight: ~ 0.08 lbs	
<b>Connection</b>	2x Lead wires 26AWG		
<b>Motor</b>	Brushless DC, auto restart, impedance and polarity protected		
<b>Bearing System</b>	Ball bearing or Sleeve		
<b>Insulation Resistance</b>	10M ohm between leadwire and frame (500VDC)		
<b>Dielectric Strength</b>	1 minute at 500 VAC, max leakage < 500 MicroAmp		
<b>Storage Temperature</b>	-40C ~ +80C		

Model Number	Speed (RPM)	Airflow (CFM)	Noise (dB)	Volts DC	Voltage Range (VDC)	Amps	Max. Static Pressure ("H <sub>2</sub> O)
OD4028-05H *	7500	10	32	5	3.5 ~ 6	0.35	0.24
OD4028-05M *	6500	9	29	5	4~7	0.30	0.17
OD4028-05L *	5000	7	25	5	4~7	0.22	0.10
OD4028-12H *	8800	12	37	12	7~14	0.20	0.32
OD4028-12M *	8000	11	35	12	7~14	0.18	0.25
OD4028-12L *	5000	7	25	12	7~14	0.12	0.10
OD4028-24H *	8800	12	37	24	10~27	0.16	0.32
OD4028-24M *	8000	11	35	24	10~27	0.12	0.25
OD4028-24L *	5000	7	25	24	10~27	0.09	0.10

\* Indicate "B" for ball bearing or "S" for sleeve bearing