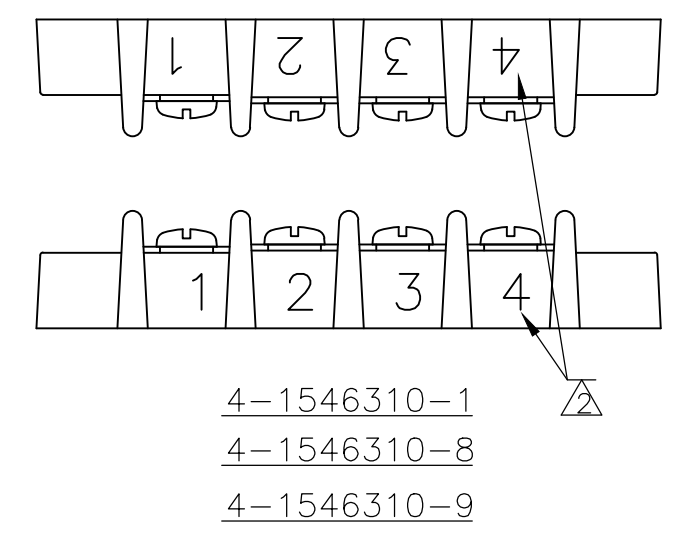
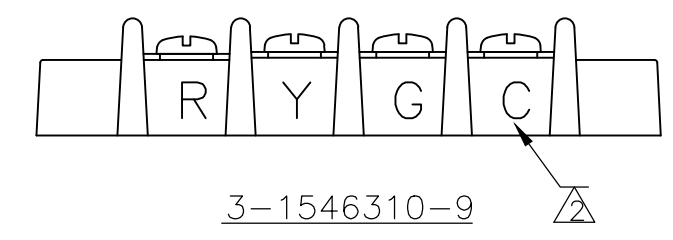
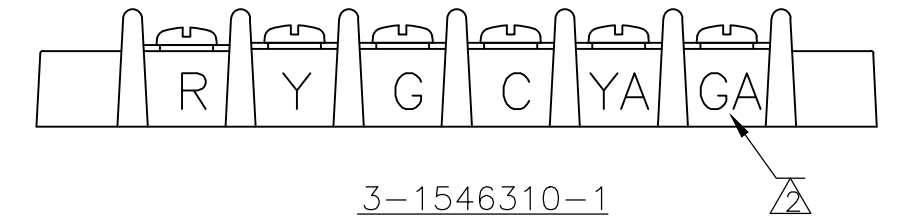
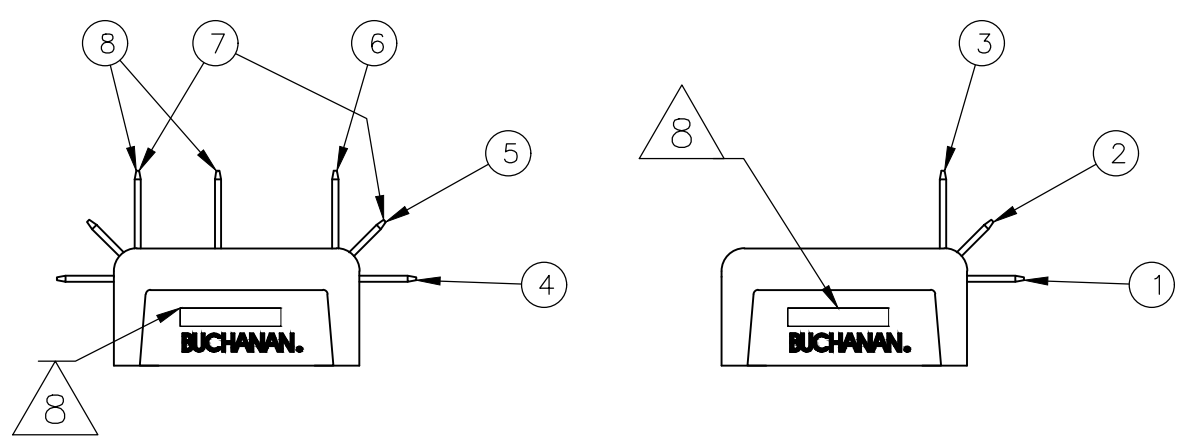
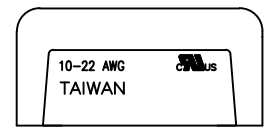
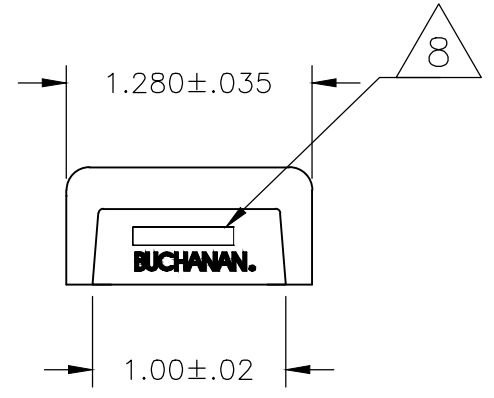
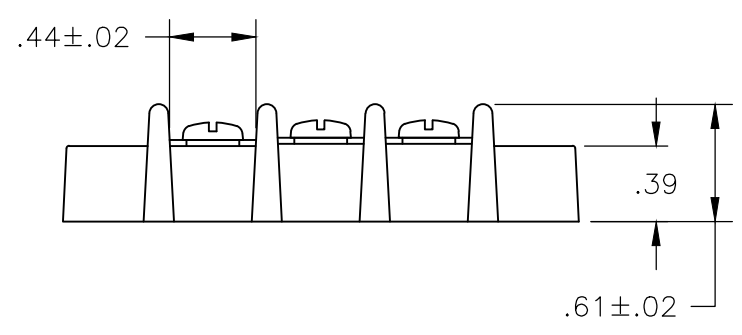
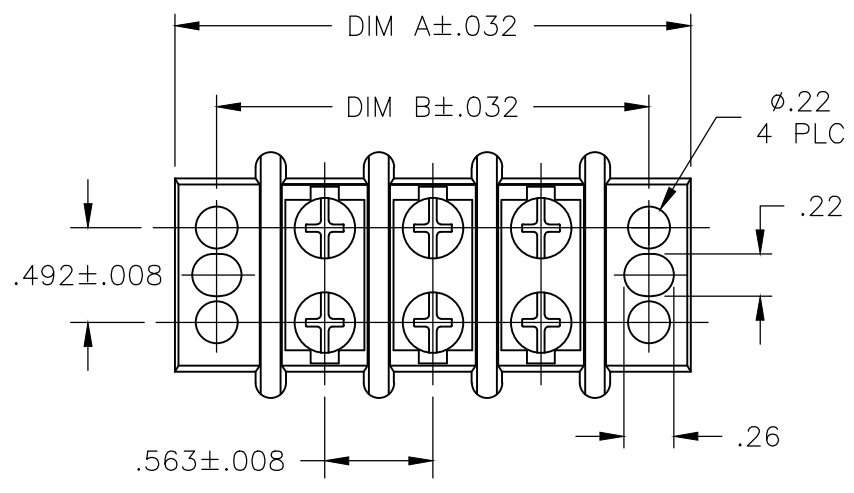


THIS DRAWING IS UNPUBLISHED. RELEASED FOR PUBLICATION
 © COPYRIGHT - By - ALL RIGHTS RESERVED.

REVISIONS				
P	LTR	DESCRIPTION	DATE	APVD
-	-	SEE SHEET 1	-	-



△	-	-	-	-	-	-	2	-	2	-	1.693	2.130	-	5-1546310-1								
-	-	-	-	-	-	-	-	-	-	-	10.701	11.138	18	1-1546310-8								
-	-	-	-	-	-	-	-	-	-	-	10.138	10.575	17	1-1546310-7								
-	-	-	-	-	-	-	-	-	-	-	9.575	10.012	16	1-1546310-6								
-	-	-	-	-	-	-	-	-	-	-	9.012	9.449	15	1-1546310-5								
△△△	-	-	-	-	-	-	-	-	14	14	8.449	8.886	14	4-1546310-9								
-	-	-	-	-	-	-	-	-	-	-	8.449	8.886	14	1-1546310-4								
NOTES	⑨	OTB JUMPER	⑧	.250 QC TAB 90° DOUBLE SIDE	⑦	.250 QC TAB 90°/45° DOUBLE SIDE	⑥	.250 QC TAB 90° DOUBLE SIDE	⑤	.250 QC TAB 45° DOUBLE SIDE	④	.250 QC TAB STRAIGHT DOUBLE SIDE	③	.250 QC TAB 90° SINGLE SIDE	②	.250 QC TAB 45° SINGLE SIDE	①	.250 QC TAB STRAIGHT SINGLE SIDE	DIM B	DIM A	NO. OF POSN	PART NUMBER

THIS DRAWING IS A CONTROLLED DOCUMENT.

DWN	S SCHLEGEL	16FEB2007
CHK	S YODER	2/16/07
APVD	S YODER	2/16/07
PRODUCT SPEC	-	-
APPLICATION SPEC	-	-
WEIGHT	-	-

TE Connectivity Ltd.

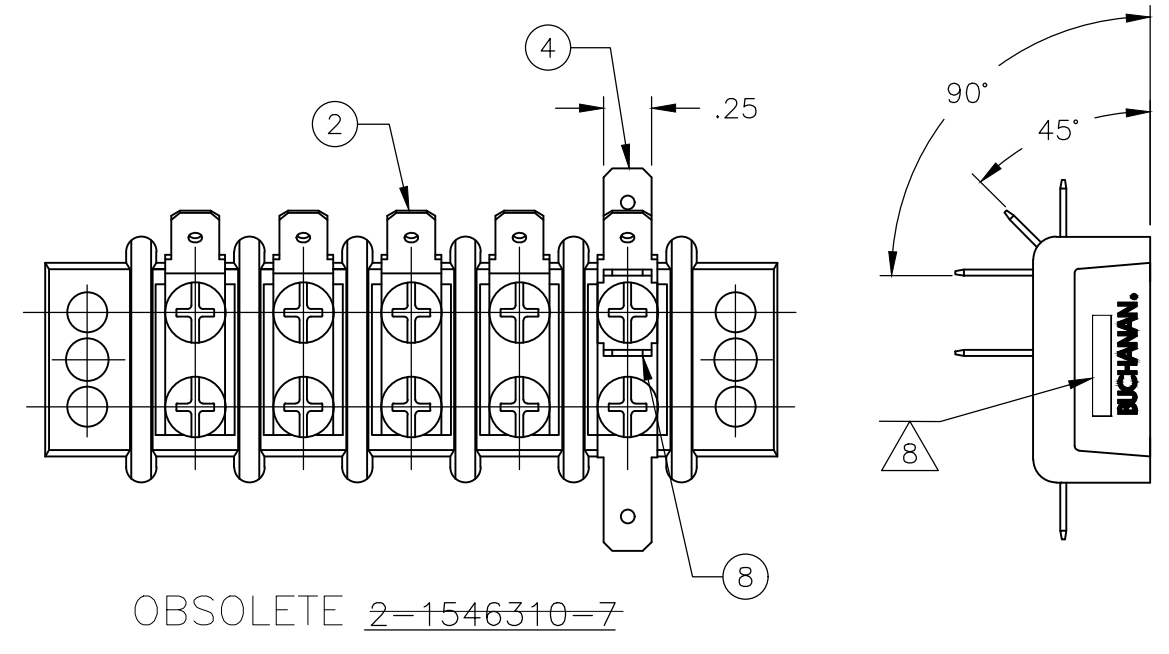
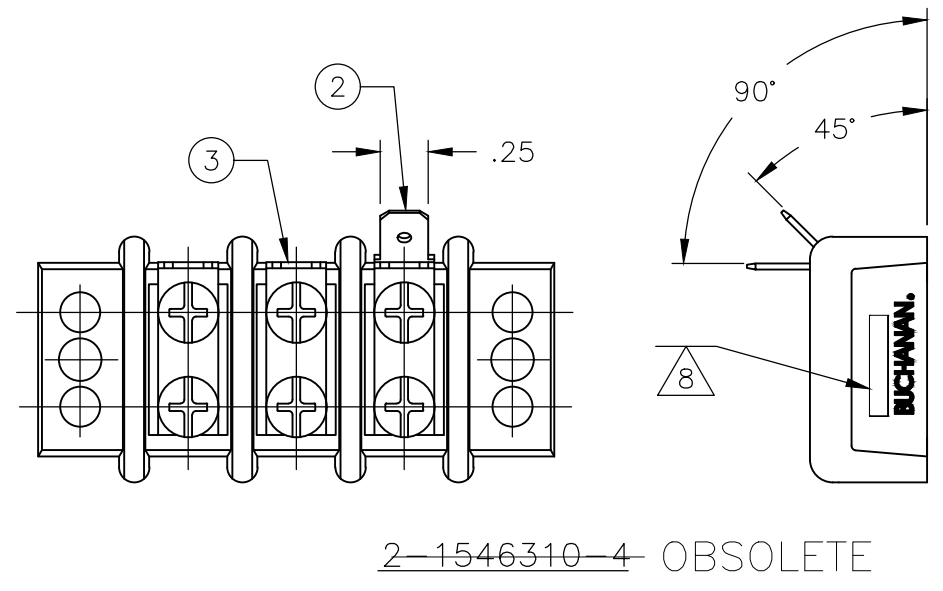
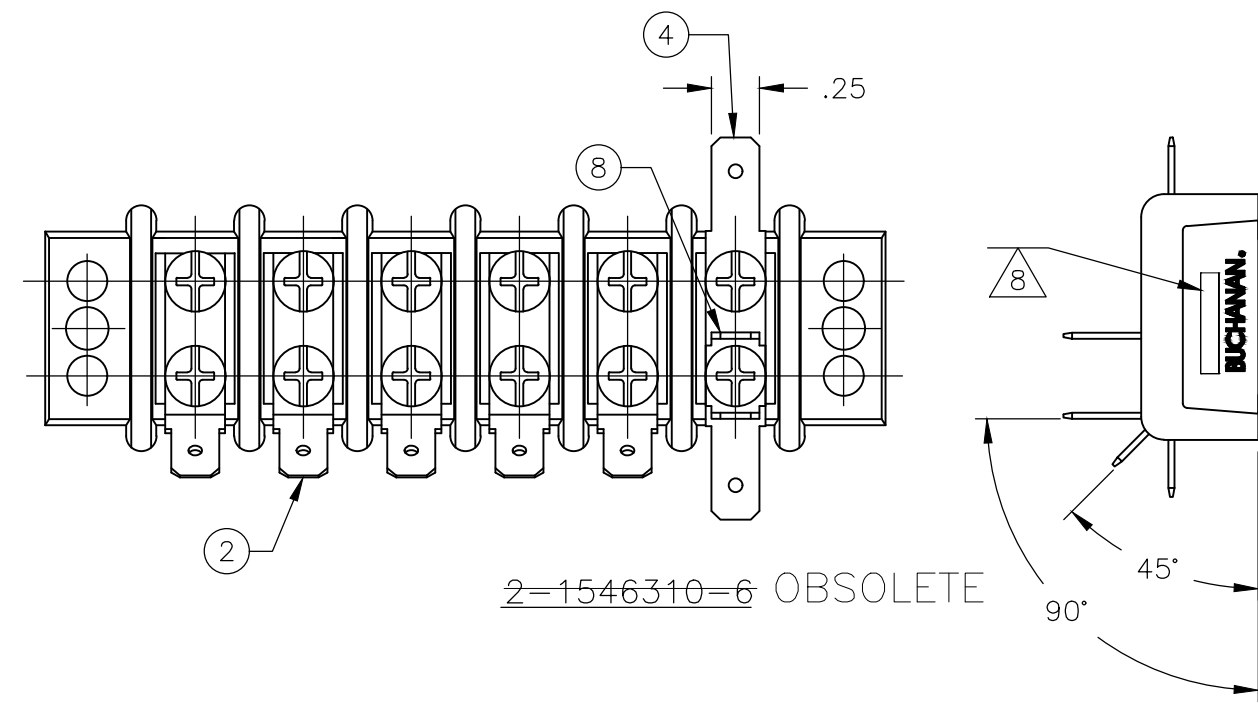
14.3 (.563) DBL ROW BARRIER STRIP
W/O WASHER

SIZE: A2 CAGE CODE: 00779 DRAWING NO: C=1546310 RESTRICTED TO: -

CUSTOMER DRAWING SCALE: NTS SHEET: 2 of 4 REV: T5

THIS DRAWING IS UNPUBLISHED. RELEASED FOR PUBLICATION
 © COPYRIGHT - By - ALL RIGHTS RESERVED.

REVISIONS					
P	LTR	DESCRIPTION	DATE	DWN	APVD
-	-	SEE SHEET 1	-	-	-

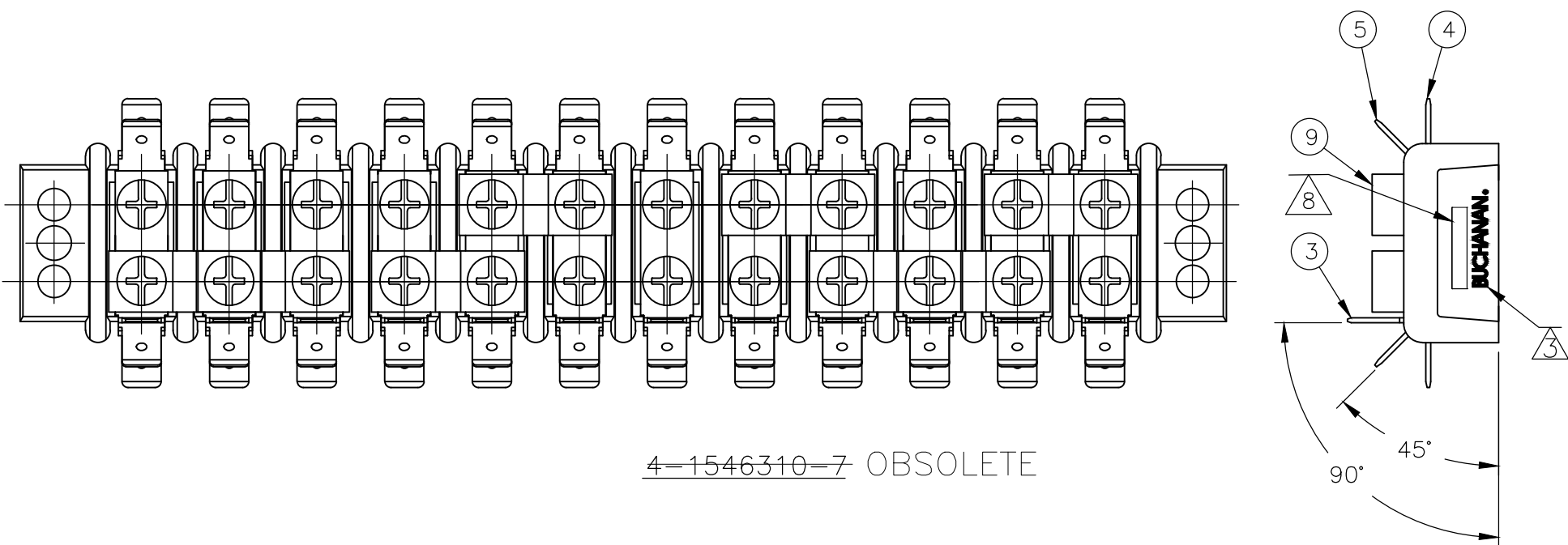


1546310

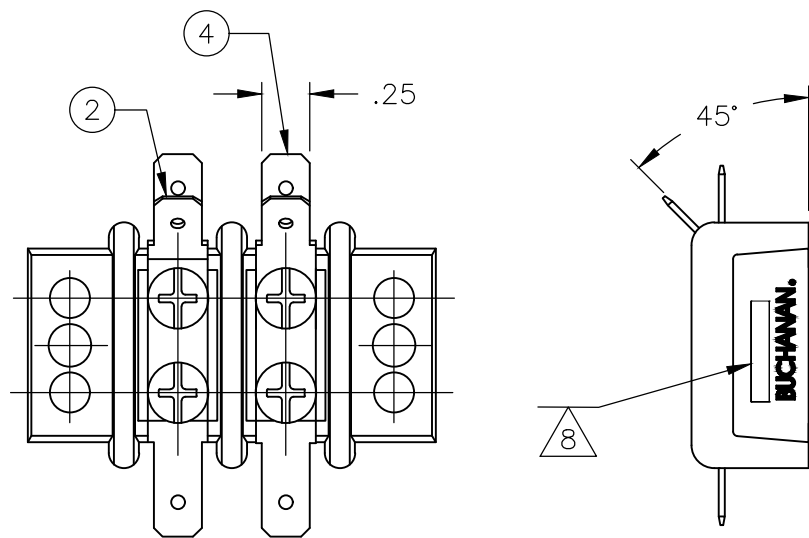
THIS DRAWING IS A CONTROLLED DOCUMENT.		DWN S SCHLEGEL 16FEB2007	TE Connectivity Ltd.	
DIMENSIONS: INCHES		CHK S YODER 2/16/07		
TOLERANCES UNLESS OTHERWISE SPECIFIED:		APVD S YODER 2/16/07	NAME 14.3 (.563) DBL ROW BARRIER STRIP W/O WASHER	
0 PLC ± - 1 PLC ± - 2 PLC ± - 3 PLC ± - 4 PLC ± - ANGLES ± -		PRODUCT SPEC -	SIZE A2	CAGE CODE 00779
MATERIAL -		FINISH -	DRAWING NO C=1546310	RESTRICTED TO -
CUSTOMER DRAWING		WEIGHT -	SCALE NTS	SHEET 3 OF 4
		REV T5		

THIS DRAWING IS UNPUBLISHED. RELEASED FOR PUBLICATION
 © COPYRIGHT - By - ALL RIGHTS RESERVED.

REVISIONS				
P	LTR	DESCRIPTION	DATE	APVD
-	-	SEE SHEET 1	-	-



4-1546310-7 OBSOLETE



5-1546310-1

THIS DRAWING IS A CONTROLLED DOCUMENT.		DWN 16FEB2007 S SCHLEGEL	TE Connectivity Ltd.																			
DIMENSIONS: INCHES		CHK 2/16/07 S YODER																				
TOLERANCES UNLESS OTHERWISE SPECIFIED:		APVD 2/16/07 S YODER	NAME 14.3 (.563) DBL ROW BARRIER STRIP W/O WASHER																			
<table border="0"> <tr><td>0 PLC</td><td>±</td><td>-</td></tr> <tr><td>1 PLC</td><td>±</td><td>-</td></tr> <tr><td>2 PLC</td><td>±</td><td>-</td></tr> <tr><td>3 PLC</td><td>±</td><td>-</td></tr> <tr><td>4 PLC</td><td>±</td><td>-</td></tr> <tr><td>ANGLES</td><td>±</td><td>-</td></tr> </table>		0 PLC	±	-	1 PLC	±	-	2 PLC	±	-	3 PLC	±	-	4 PLC	±	-	ANGLES	±	-	PRODUCT SPEC -	APPLICATION SPEC -	RESTRICTED TO -
0 PLC	±	-																				
1 PLC	±	-																				
2 PLC	±	-																				
3 PLC	±	-																				
4 PLC	±	-																				
ANGLES	±	-																				
MATERIAL -	FINISH -	WEIGHT -	SIZE A2	CAGE CODE 00779																		
CUSTOMER DRAWING			SCALE NTS	DRAWING NO C-1546310																		
			SHEET 4 OF 4	REV T5																		