

PLEASE CHECK WWW.MOLEX.COM FOR LATEST PART INFORMATION

Part Number: [0834249014](#)
Status: **Active**
Overview: commercial_microd
Description: 1.27mm (.050") Pitch Commerical Micro D, Cable Receptacle Kit, 25 Circuits

Documents:

[3D Model](#) [Product Specification PS-83421-001 \(PDF\)](#)
[Drawing \(PDF\)](#) [RoHS Certificate of Compliance \(PDF\)](#)

General

Product Family	I/O Connectors
Series	83424
Application	Wire-to-Board
Component Type	Receptacle
Overview	commercial_microd
Product Literature Order No	USA-063
Product Name	Commercial Micro-D
Type	N/A

Physical

Circuits (Loaded)	25
Circuits (maximum)	25
Durability (mating cycles max)	500
Lock to Mating Part	Yes
Material - Plating Mating	Gold
Orientation	N/A
PCB Retention	N/A
Packaging Type	Bag
Panel Mount	No
Pitch - Mating Interface (in)	0.050 In
Pitch - Mating Interface (mm)	1.27 mm
Plating min: Mating (µin)	30
Plating min: Mating (µm)	0.76
Polarized to Mating Part	Yes
Surface Mount Compatible (SMC)	N/A
Temperature Range - Operating	-40°C to +125°C
Termination Interface: Style	N/A
Wire Size AWG	26, 28

Electrical

Current - Maximum per Contact	1A
Shielded	Yes
Voltage - Maximum	350V AC

Material Info

Reference - Drawing Numbers

Product Specification	PS-83421-001
Sales Drawing	SD-83421-002

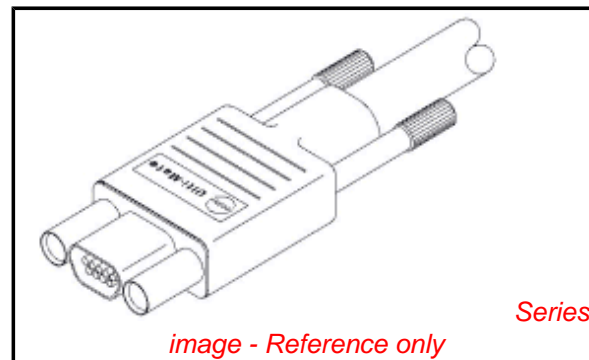


image - Reference only

EU RoHS

**ELV and RoHS
Compliant**
REACH SVHC
 Not Reviewed
**Halogen-Free
Status**
 Not Reviewed

China RoHS



Need more information on product environmental compliance?

Email productcompliance@molex.com
 For a multiple part number RoHS Certificate of Compliance, [click here](#)

Please visit the [Contact Us](#) section for any non-product compliance questions.

Search Parts in this Series

[83424Series](#)

Mates With

[83611](#) , [83619](#) , [83612](#) , [83614](#)

Application Tooling | FAQ

Tooling specifications and manuals are found by selecting the products below. Crimp Height Specifications are then contained in the Application Tooling Specification document.

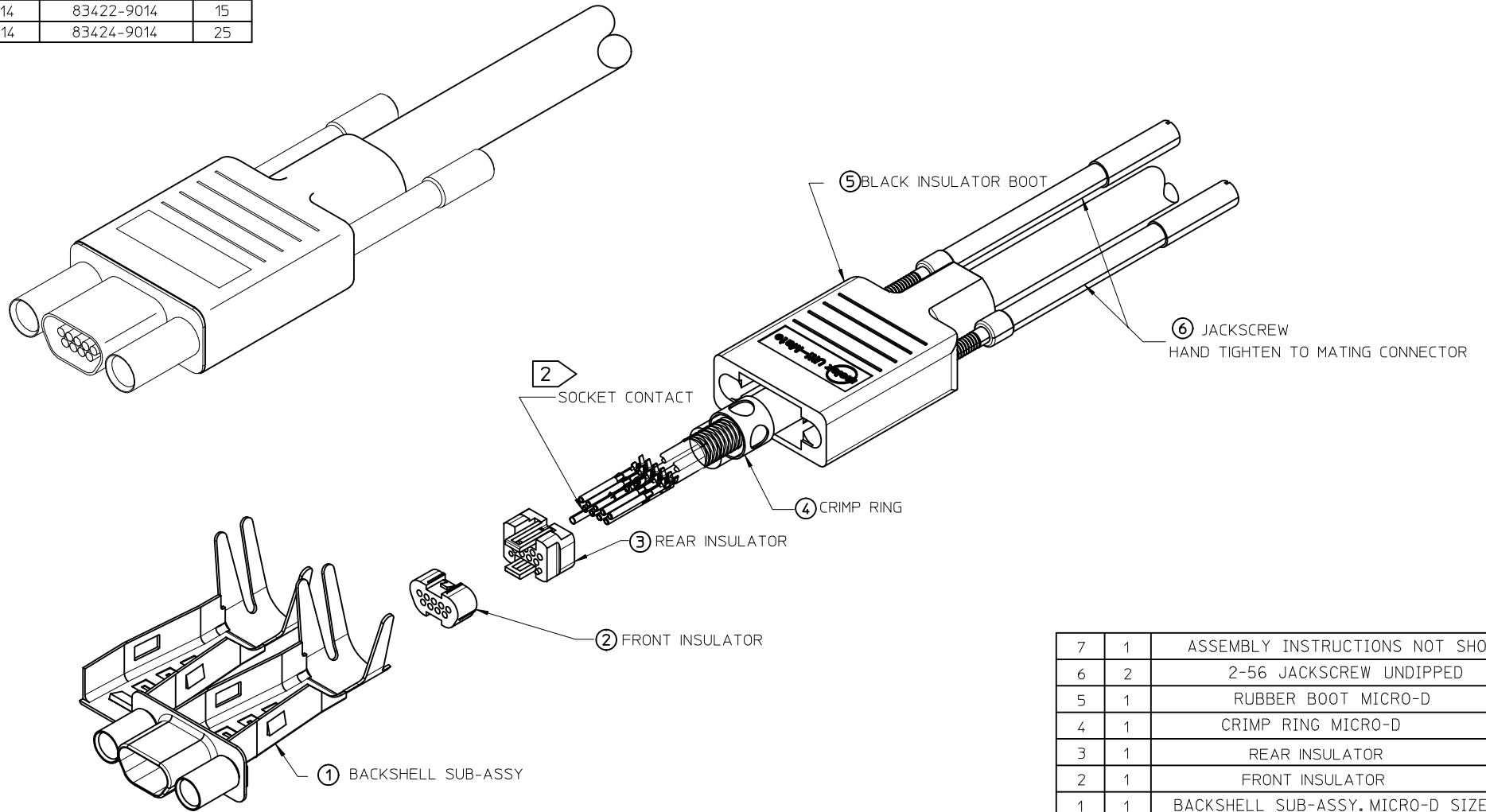
Global

Description	Product #
Manual Press for Micro-D Backshell Crimp Tool Kit, 25 Circuits	0622020000
Micro-D Backshell Crimp Tool Kit, 25 Circuits	0622020100
Hand Crimp Tool	0621004200

This document was generated on 05/20/2010

PLEASE CHECK WWW.MOLEX.COM FOR LATEST PART INFORMATION

10	9	8	7	6	5	4	3	2	1
MATERIAL NO.	ENGINEERING NO.	SIZE							
834219014	83421-9014	9							
834229014	83422-9014	15							
834249014	83424-9014	25							



7	1	ASSEMBLY INSTRUCTIONS NOT SHOWN
6	2	2-56 JACKSCREW UNDIPPED
5	1	RUBBER BOOT MICRO-D
4	1	CRIMP RING MICRO-D
3	1	REAR INSULATOR
2	1	FRONT INSULATOR
1	1	BACKSHELL SUB-ASSY. MICRO-D SIZE I5
ITEM	ITEM	DESCRIPTION

3. ROHS COMPLIANT

2 CONTACTS SOLD SEPARATELY. ORDER BY:
 P/N 830009502 (2500 CONTACT REEL)
 P/N 830009503 (50000 CONTACT REEL)
 P/N 830000083 (LOOSE CONTACTS)

1. REFER TO PS-83421-9000 FOR PRODUCT SPECIFICATION.

NOTES: UNLESS OTHERWISE SPECIFIED

REDRAWN EC NO: WNA2010-0482 DRW:BRUPERT 2010/02/09 CHKD:BRUPERT 2010/04/21 APPR: JFMURPHY 2010/04/21	QUALITY SYMBOLS	GENERAL TOLERANCES (UNLESS SPECIFIED)	DIMENSION STYLE		SCALE	DESIGN UNITS	THIRD ANGLE PROJECTION																	
	$\nabla=0$ $\nabla C=0$	<table border="1"> <tr> <td></td> <td>mm</td> <td>INCH</td> </tr> <tr> <td>4 PLACES</td> <td>± ---</td> <td>± ---</td> </tr> <tr> <td>3 PLACES</td> <td>± ---</td> <td>± .005</td> </tr> <tr> <td>2 PLACES</td> <td>± 0.13</td> <td>± .010</td> </tr> <tr> <td>1 PLACE</td> <td>± 0.3</td> <td>± ---</td> </tr> <tr> <td colspan="3">ANGULAR ± 1/2°</td> </tr> </table>		mm	INCH	4 PLACES	± ---	± ---	3 PLACES	± ---	± .005	2 PLACES	± 0.13	± .010	1 PLACE	± 0.3	± ---	ANGULAR ± 1/2°			IN/MM	2:1	INCH	
		mm	INCH																					
	4 PLACES	± ---	± ---																					
3 PLACES	± ---	± .005																						
2 PLACES	± 0.13	± .010																						
1 PLACE	± 0.3	± ---																						
ANGULAR ± 1/2°																								
DRAWN BY: URBACH CHECKED BY: HEB APPROVED BY: RWD	DATE: 99/09/03 DATE: 02/01/31 DATE: 02/01/31	TITLE	CONNECTOR KIT, RECEPTACLE, W/2-56 JACKSCREWS MOLEX INCORPORATED																					
MATERIAL NO. SEE CHART SIZE A3	DOCUMENT NO. SD-83421-002 SHEET NO. 1 OF 1	THIS DRAWING CONTAINS INFORMATION THAT IS PROPRIETARY TO MOLEX INCORPORATED AND SHOULD NOT BE USED WITHOUT WRITTEN PERMISSION																						