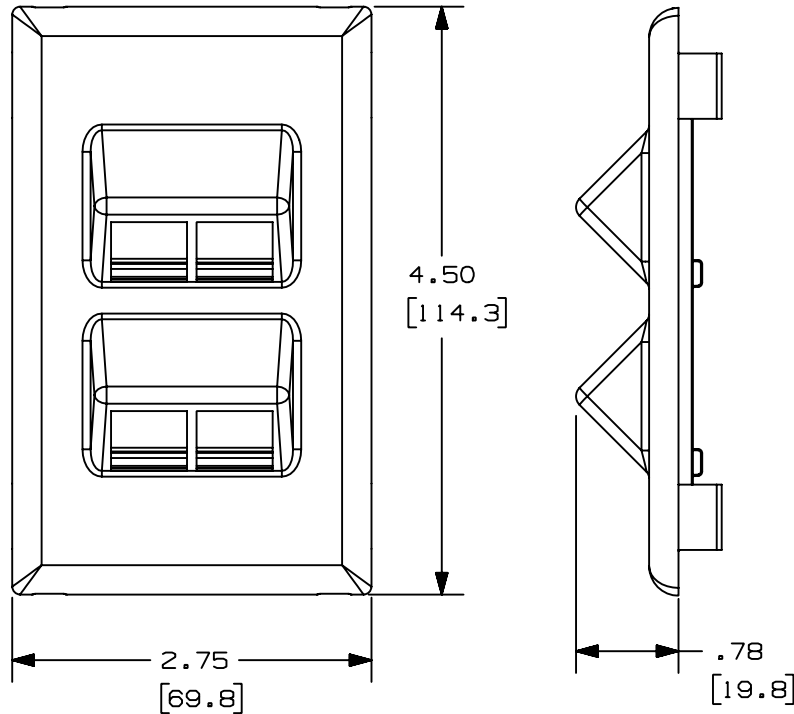


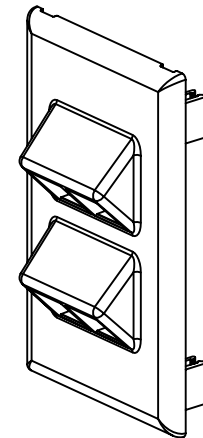
THIS COPY IS PROVIDED ON A RESTRICTED BASIS AND IS NOT TO BE USED IN ANY WAY DETRIMENTAL TO THE INTERESTS OF PANDUIT CORP.

PANDUIT P/N	WEIGHT
NK4VSRF	.83 LB/10 PCS (376 g/10 PCS)



NOTES:

1. SEE CURRENT CATALOG FOR ADDITIONAL PART SUFFIXES TO INDICATE COLOR AND OR PACKAGE QUANTITY.
2. THE NK4VSRF FACEPLATE WILL ACCEPT FOUR NETKEY KEYSTONE JACK MODULES.
3. DIMENSIONS IN PARENTHESES ARE IN METRIC.



ENG. REF.: D38361BB_DC_NK4VSRF_00A

CAD FILENAME/LAYERS	38361-02.PDF
---------------------	--------------

REV	DATE	BY	CHK	DESCRIPTION	ECN	R	CUST	SUP
R	11-30-01	JHNU	HIW	RELEASED TO PRODUCTION.	38361-02		HIW	HIW

<h1>PANDUIT</h1> <p>CORP. TINLEY PARK, ILLINOIS</p> <p>NETKEY SNAP-ON SLOPED VERTICAL FOUR POSITION FACEPLATE (NK4VSRF) CUSTOMER DRAWING</p>	
<p>UNLESS OTHERWISE SPECIFIED, DIMENSIONAL TOLERANCES ARE: (.X) ± (.XXX) ± (.XX) ± .03 (.8) ANGLES ±</p>	<p>UNLESS OTHERWISE SPECIFIED, ALL DIMENSIONS ARE GIVEN IN INCHES, THIRD ANGLE PROJECTION.</p>
<p>DRAWN BY JHNU</p> <p>DATE 11-30-01</p> <p>CHK'D HIW</p>	<p>MAT'L: PVC</p> <p>SCALE NONE</p> <p>DRAWING NO. 38361-02</p> <p>DWG SIZE A</p>