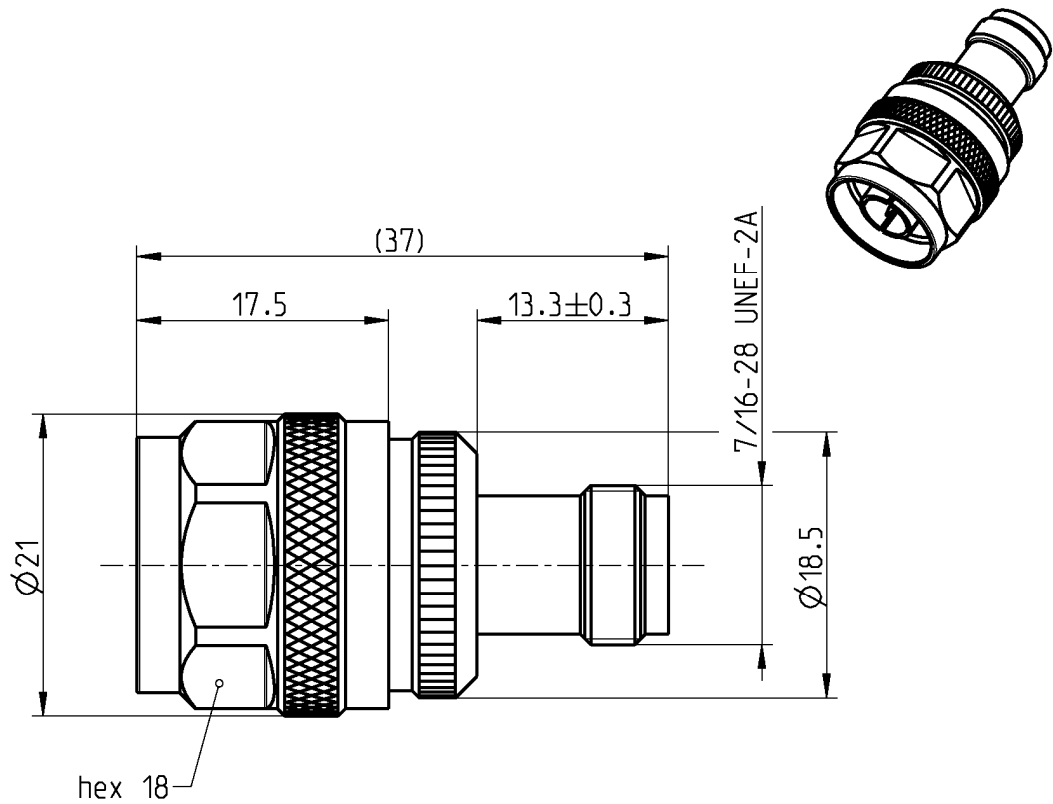


**ADAPTOR
N 50 Ω PLUG – TNC JACK**

53S156-K00N5



All dimensions are in mm; tolerances according to ISO 2768 m-H

Interface

According to N side: IEC 60169-16, MIL-PRF-39012, CECC 22210
TNC side: IEC 60169-17, MIL-PRF-39012, DIN EN 122200

Documents

N/A

Material and plating

Connector parts

- Center contact
- Outer contact N side
- Outer contact TNC side
- Dielectric
- Gasket
- Coupling nut

Material

- CuBe
- Brass
- Brass
- PTFE
- Silicone
- Brass

Plating

- AuroDur®, gold plated
- Flash white bronze over silver(e.g. Optargen®)
- Flash white bronze over silver(e.g. Optargen®)
- Flash white bronze over silver(e.g. Optargen®)

**ADAPTOR
N 50 Ω PLUG – TNC JACK**

53S156-K00N5

Electrical data

Impedance	50 Ω	
Frequency	DC to 10 GHz	
Return loss	≥ 28 dB, DC to 1 GHz	
	≥ 24 dB, 1 to 4 GHz	
	≥ 14 dB, 4 to 10 GHz	
Insertion loss	≤ 0.05 dB, DC to 4 GHz	
Insulation resistance	≥ 5 x10 ³ MΩ	
Center contact resistance	≤ 1 mΩ, N side	≤ 1.5 mΩ, TNC side
Outer contact resistance	≤ 0.25 mΩ, N side	≤ 1 mΩ, TNC side
Working voltage	500 V rms	
Power handling (at 20 °C, sea level, VSWR 1.0)	≤ 80 W @ 2 GHz	

Mechanical data

	N side	TNC side
Mating cycles	min. 500	min. 500
Coupling nut retention	≥ 450 N	N/A
Center contact captivation: axial	≥ 28 N	≥ 28 N
Coupling test torque	max. 1.7 Nm	max. 1.7 Nm
Recommended torque	0.7 Nm to 1.1 Nm	0.46 Nm to 0.69 Nm

Environmental data

Temperature range	-55°C to +155°C
Thermal shock	MIL-STD-202, Meth. 107, Cond. B
Corrosion	MIL-STD-202, Meth. 101, Cond. B
Vibration	MIL-STD-202, Meth. 204, Cond. B
Shock	MIL-STD-202, Meth. 213, Cond. I
Moisture resistance	MIL-STD-202, Meth. 106
RoHS	compliant

Tooling

N/A

Suitable cables

N/A

Weight

Weight 35.3 g/pce

While the information has been carefully compiled to the best of our knowledge, nothing is intended as representation or warranty on our part and no statement herein shall be construed as recommendation to infringe existing patents. In the effort to improve our products, we reserve the right to make changes judged to be necessary.

Draft	Date	Approved	Date	Rev.	Engineering change number	Name	Date
Inge Mühlauer	08/06/04	J_Gramsamer	20.04.15	e00	15-0397	J_Krautenb.	20.04.15
Rosenberger Hochfrequenztechnik GmbH & Co. KG P.O.Box 1260 D-84526 Tittmoning Germany www.rosenberger.de					Tel.: +49 8684 18-0 email: info@rosenberger.de		Page 2 / 2