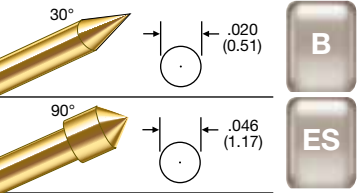
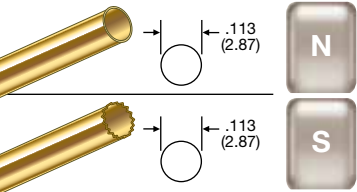


# Coax Probes SMB CONNECTOR

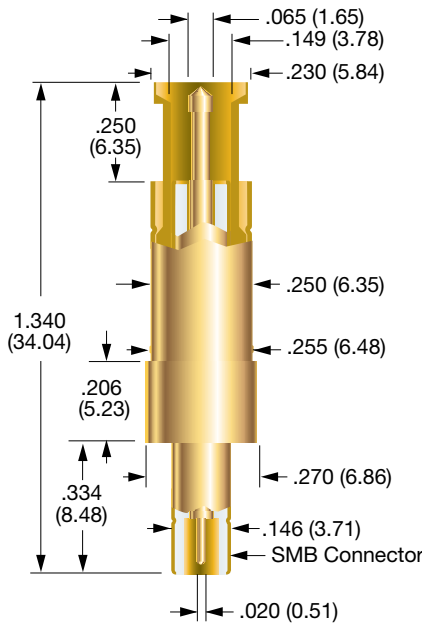
## 100559 & 100910 SIGNAL PLUNGERS



## 100559 & 100910 SHIELDING PLUNGERS



## 100563



### PROBE SPECIFICATIONS

Minimum Centers: .300 (7.62)  
 Current Rating: 3 amps continuous  
 Spring Force:  
 Signal Conductor:  
 2.3 oz. @ .107 (2.72) travel  
 Shielding Plunger:  
 5.8 oz. @ .107 (2.72) travel  
 Nominal Impedance: 50 Ω  
 Maximum Travel: .170 (4.32)  
 Working Travel: .107 (2.72)

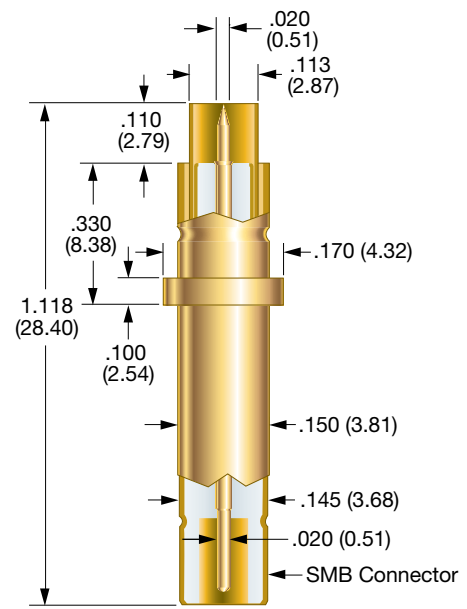
### MATERIALS

Barrel: Brass, gold plated  
 Spring:  
 Signal Conductor:  
 Beryllium copper, gold plated  
 Shielding Plunger:  
 Stainless steel, gold plated  
 Shielding Plunger: Brass, gold plated  
 Dielectric Insulator: Teflon  
 Shielding Tube: Stainless steel, gold plated  
 Signal Conductor: 100954

### HOW TO ORDER

<b>100563</b>	<b>E</b>
BASE PART NUMBER	SIGNAL PROBE TIP

## 100559 & 100910



### PROBE SPECIFICATIONS

Minimum Centers: .300 (7.62)  
 Current Rating: 3 amps continuous  
 Spring Force:  
 Signal Conductor:  
 1.6 oz. @ .070 (1.78) travel: tip B  
 2.0 oz. @ .070 (1.78) travel: tip ES  
 Shielding Plunger:  
 4.3 oz. @ .070 (1.78) travel  
 Nominal Impedance: 50 Ω  
 Maximum Travel:  
 .090 (2.29) for tip B  
 .075 (1.91) for tip ES  
 Working Travel: .070 (1.78)

### MATERIALS

Barrel: Brass, gold plated  
 Spring:  
 Signal Conductor:  
 Beryllium copper, gold plated  
 Shielding Plunger:  
 Stainless steel, gold plated  
 Shielding Plunger: Beryllium copper, gold plated  
 Dielectric Insulator: Teflon  
 Shielding Tube: Brass, gold plated  
 Signal Conductor: Series S, Size 00

### HOW TO ORDER

<b>100559</b>	<b>B</b>	<b>S</b>
BASE PART NUMBER	SIGNAL PROBE TIP	SHIELDING PLUNGER
100559 WITHOUT FLANGE		S: SERRATED
100910 WITH FLANGE		N: FLAT

Specifications subject to change without notice. Dimensions in inches (millimeters)