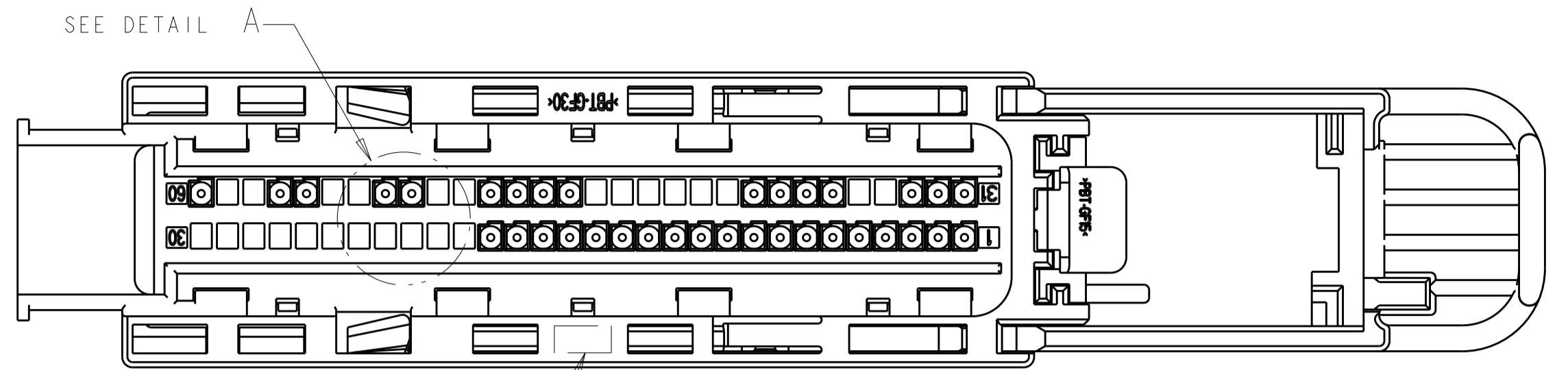
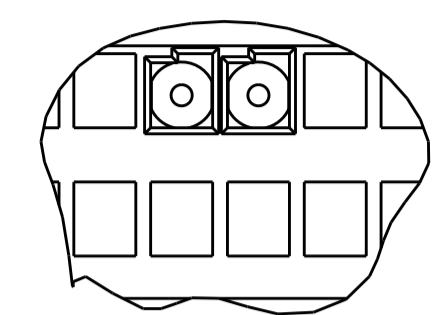


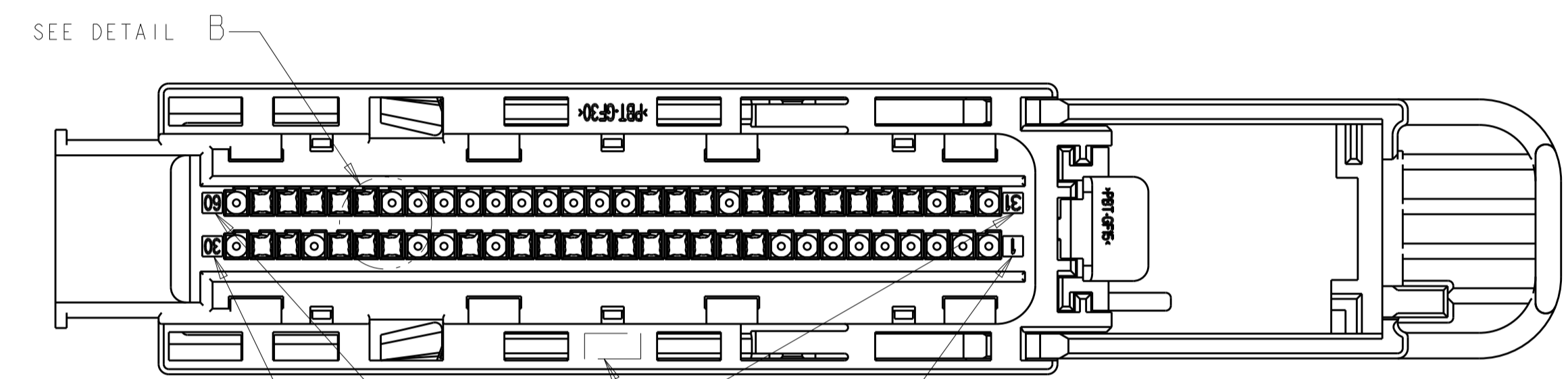
REVISIONS				
P.	LTN	DESCRIPTION	DATE	OWN APVD
BA3		REVISED PER ECO-15-004852	27MAR2015	DLD DLD



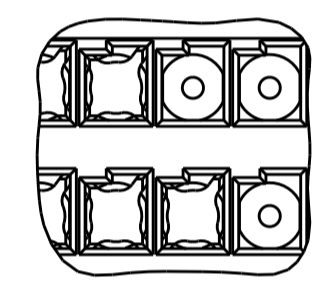
COMPANY LOGO
ALTERNATE CONSTRUCTION



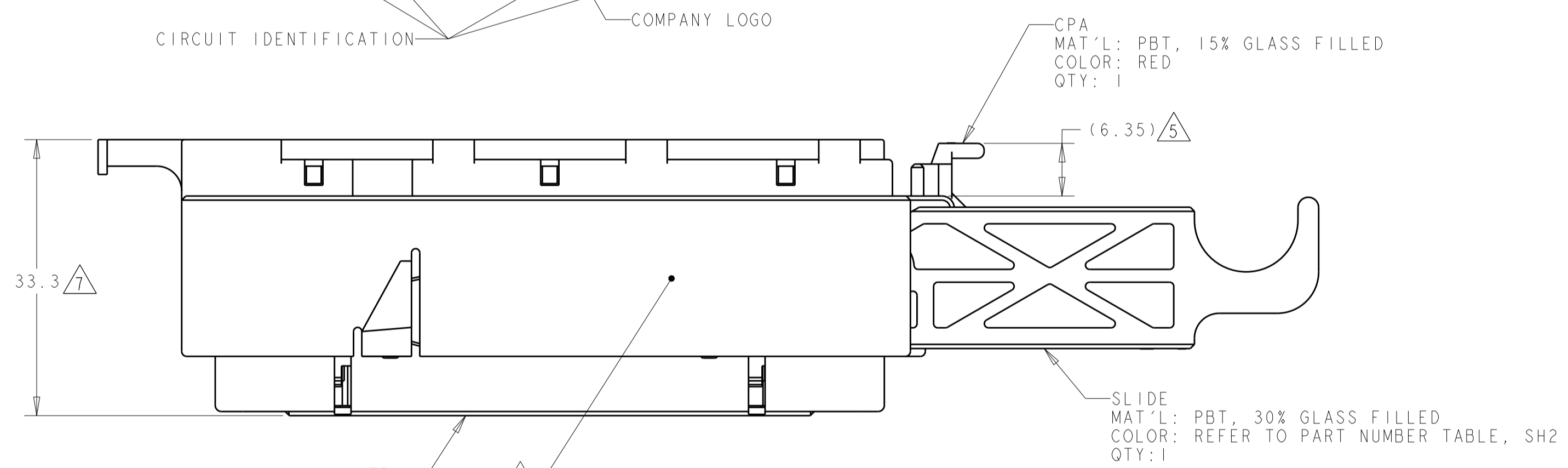
DETAIL A
SCALE 4:1



CIRCUIT IDENTIFICATION
COMPANY LOGO



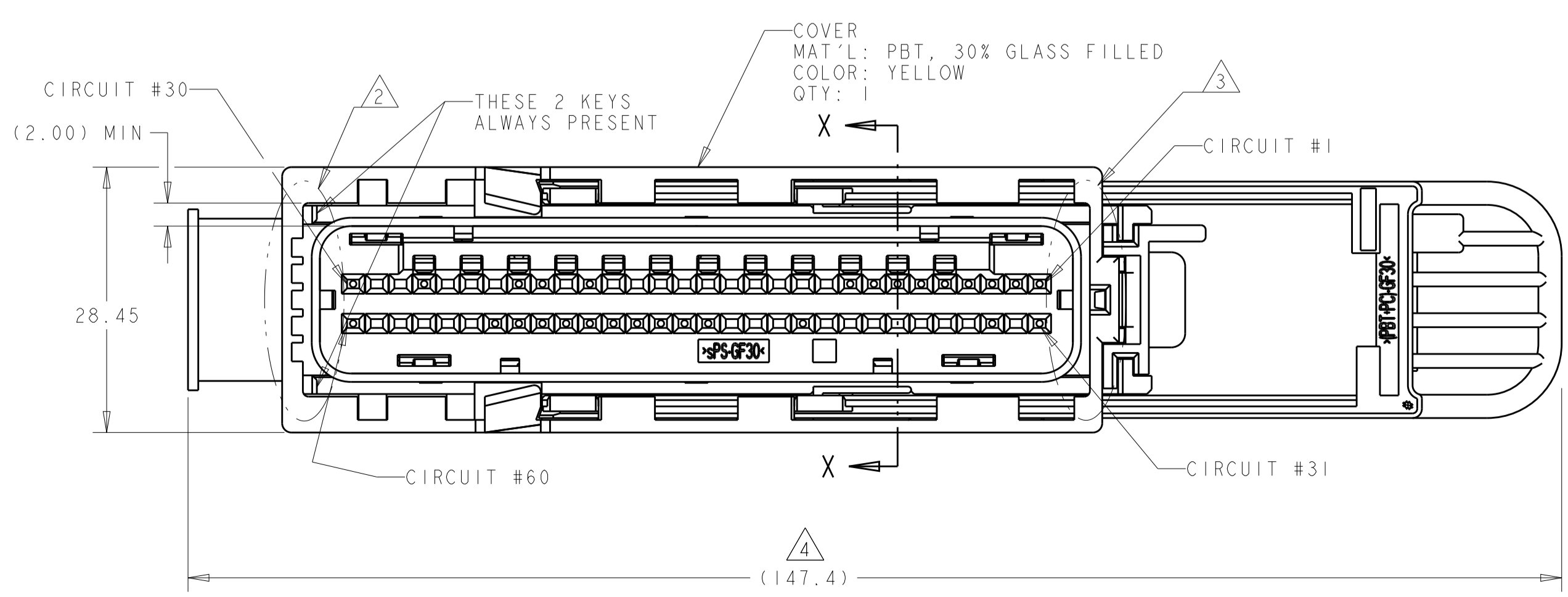
DETAIL B
SCALE 4:1



MAT'L: sPS, 30% GLASS FILLED
COLOR: RED
QTY: 1

CPA
MAT'L: PBT, 15% GLASS FILLED
COLOR: RED
QTY: 1

SLIDE
MAT'L: PBT, 30% GLASS FILLED
COLOR: REFER TO PART NUMBER TABLE, SH2
QTY: 1



COVER
MAT'L: PBT, 30% GLASS FILLED
COLOR: YELLOW
QTY: 1

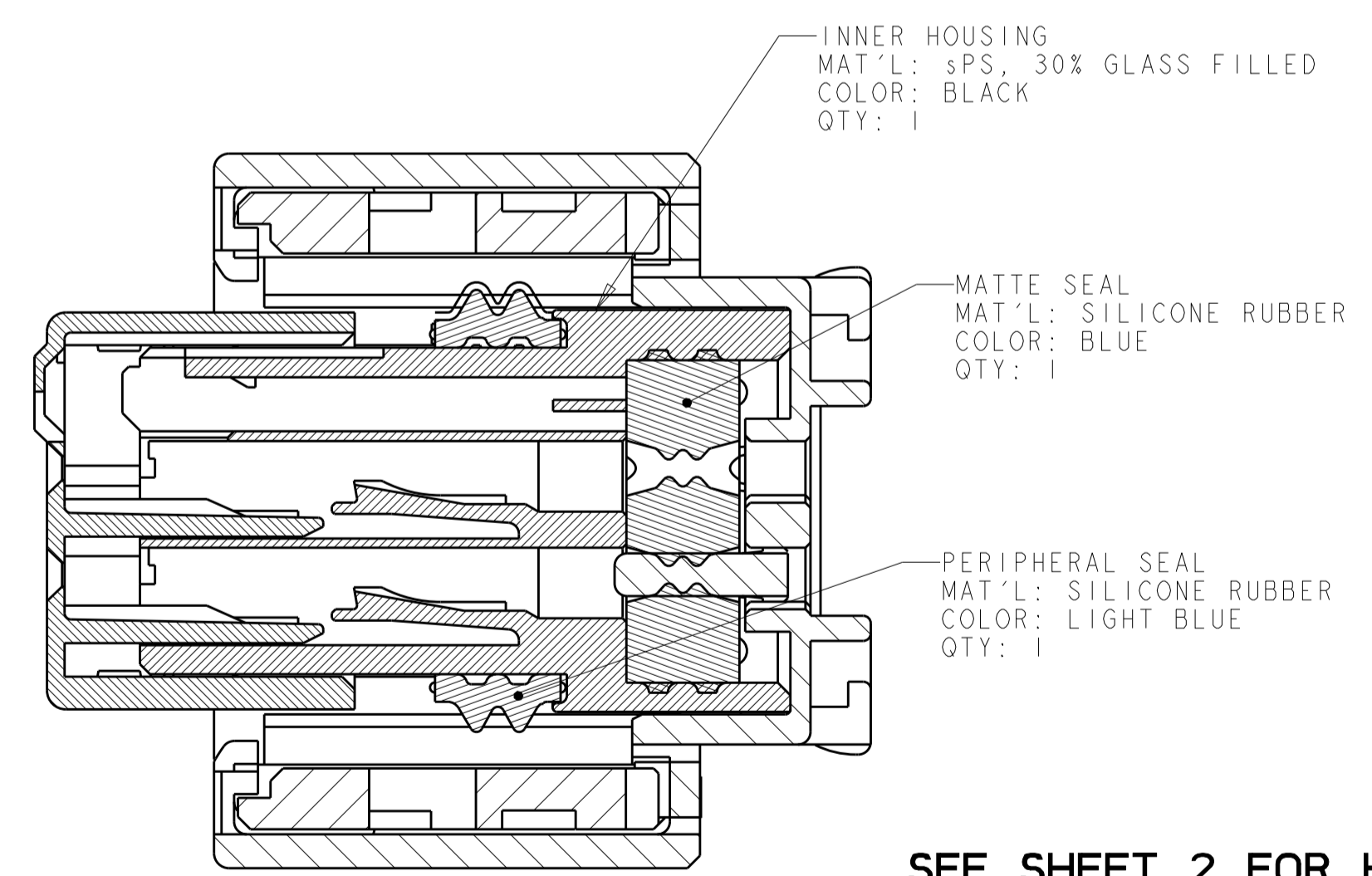
CIRCUIT #30
(2.00) MIN

CIRCUIT #60

CIRCUIT #1

CIRCUIT #31

(147.4)



INNER HOUSING
MAT'L: sPS, 30% GLASS FILLED
COLOR: BLACK
QTY: 1

MATTE SEAL
MAT'L: SILICONE RUBBER
COLOR: BLUE
QTY: 1

PERIPHERAL SEAL
MAT'L: SILICONE RUBBER
COLOR: LIGHT BLUE
QTY: 1

SECTION X-X
SCALE 4:1

SEE SHEET 2 FOR HEADER INTERFACE SPECIFICATION,
SHEET 6 FOR KEYING ARRANGEMENTS,
AND SHEETS 7, 8 & 9 FOR CIRCUIT ARRANGEMENTS

- △ 1. TE CONNECTIVITY (TE) PART NUMBER AND JULIAN DATE CODE MARKED ON THIS SIDE.
- △ 2. SEE KEYING ARRANGEMENT TABLE FOR KEYWAY LOCATIONS, SEE SHEET 6.
- △ 3. SEE KEYING ARRANGEMENT TABLE FOR KEY LOCATIONS, SEE SHEET 6.
- △ 4. SLIDE SHOWN IN UNLOCKED POSITION.
- △ 5. CPA SHOWN IN UNLOCKED POSITION.
- △ 6. NOTE DELETED.
- △ 7. TPA SHOWN IN UNLOCKED POSITION.
- 8. REFER TO DRAWING C-638623 AND/OR C-1488143 FOR MATING CONNECTOR INFORMATION.
- △ 9. NOT FOR PRODUCTION USE.
- 10. MISCELLANEOUS COMPONENT ENGAGE/DISENGAGE FORCE, SAE/USCAR-2, SECTION 5.4.4.4, G.M. APPROVED DEVIATION:
TPA (PRE-SET TO FULL) FORCES TO BE 15 TO 55 NEWTONS.
- 11. MISCELLANEOUS COMPONENT ENGAGE/DISENGAGE FORCE, SAE/USCAR-2, SECTION 5.4.4.4, G.M. APPROVED DEVIATION:
CPA (PRE-SET TO FULL) FORCES TO BE 7 TO 30 NEWTONS.
- 12. POLARIZATION FEATURE EFFECTIVENESS, SAE/USCAR-2, SECTION 4.3.4, G.M. APPROVED DEVIATION:
DURING MISMATING FORCE TESTING CERTAIN CONNECTOR/HEADER COMBINATIONS MAY ALLOW ELECTRICAL CONTACT OF UP TO 26 PINS BELOW THE REQUIRED 220 NEWTON FORCE.
- 13. CONNECTOR-CONNECTOR MATING/UNMATING FORCE, SAE/USCAR-2, SECTION 5.4.2.4, G.M. APPROVED DEVIATION:
MATING FORCE IS ACCEPTABLE FOR THE CONNECTOR/HEADER SYSTEM UP TO 50 TERMINALS AT ≤ 75 NEWTONS.
- 14. APPLICABLE TE GET FEMALE TERMINALS:
FOR 0.22/0.35 WIRE SECTION, TERMINAL PART NUMBER 1393364-2
FOR 0.50/0.75 WIRE SECTION, TERMINAL PART NUMBER 1393365-2
- 15. REFER TO POGO PIN FOR GET SOCKET TERMINAL ON TE DRAWING #114-18411 FOR CONTINUITY TESTING.
- △ 16. PRELIMINARY NOT RELEASED FOR PRODUCTION.

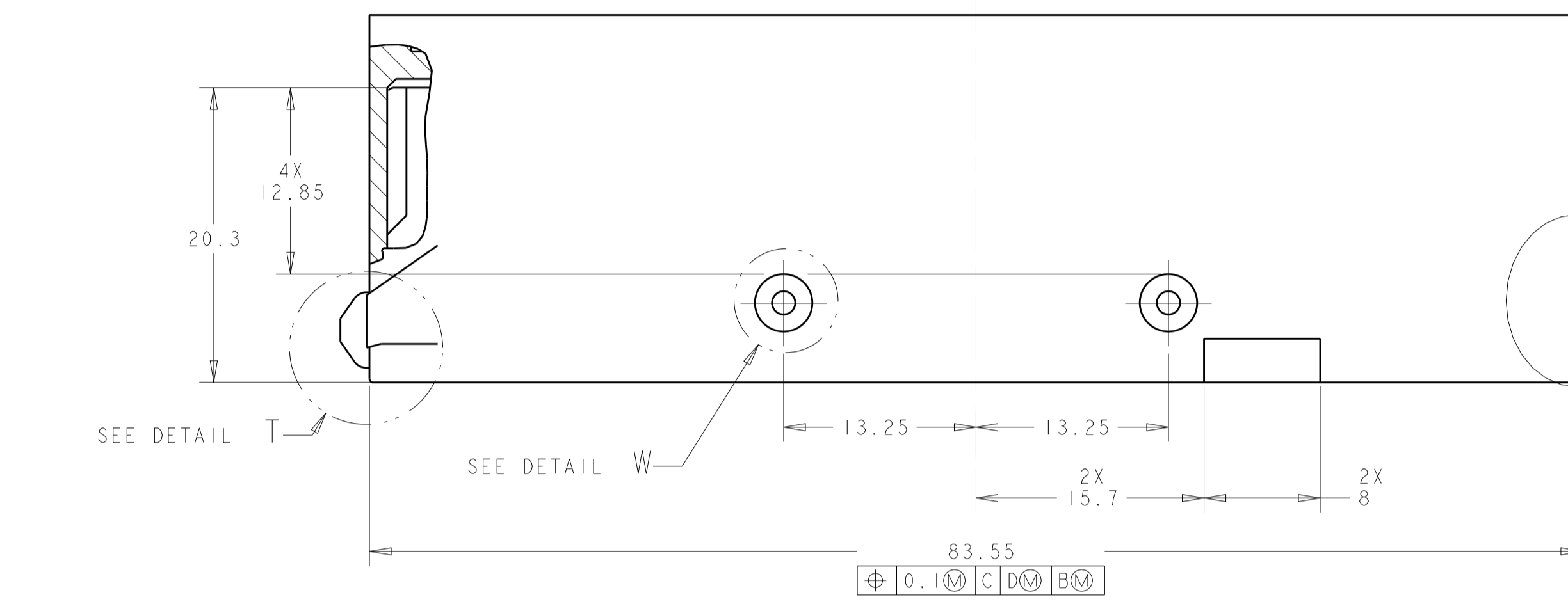
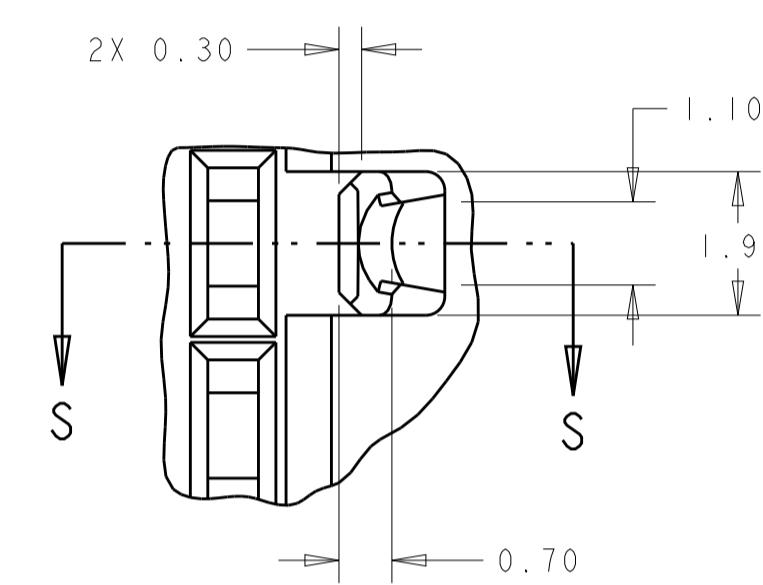
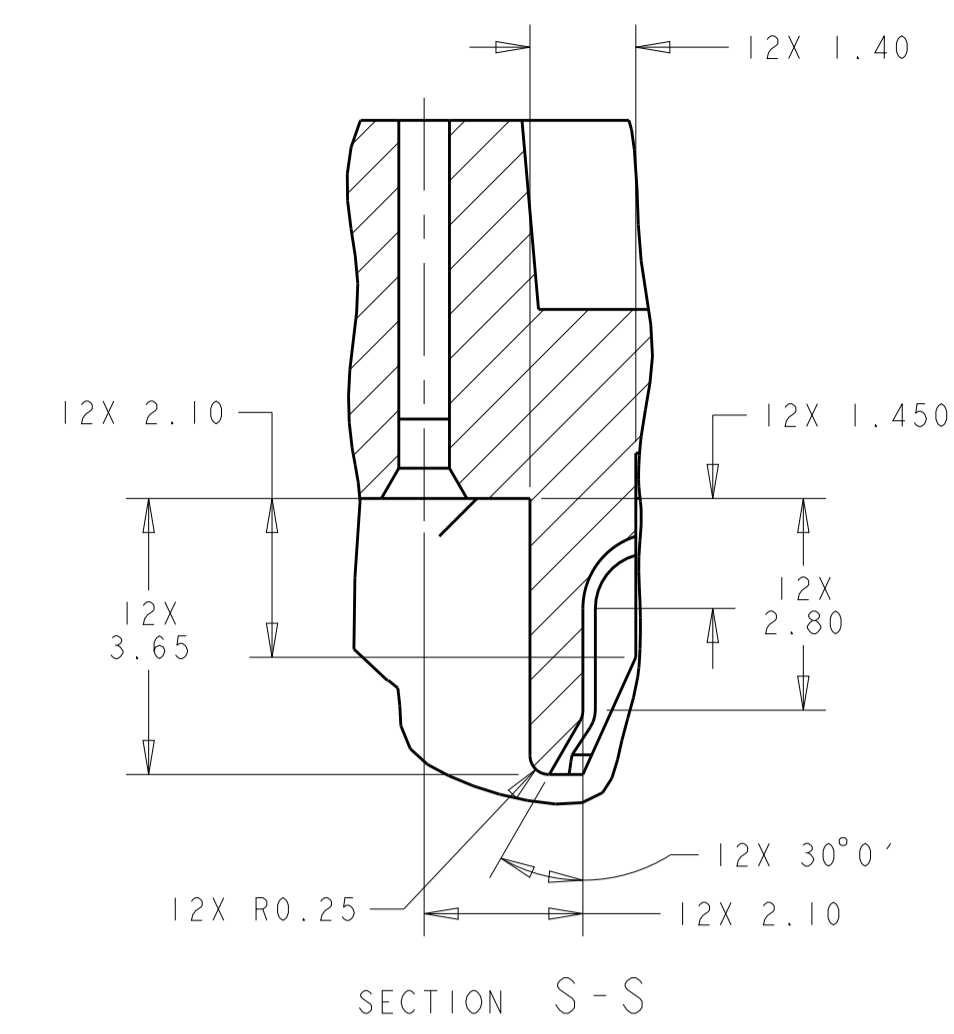
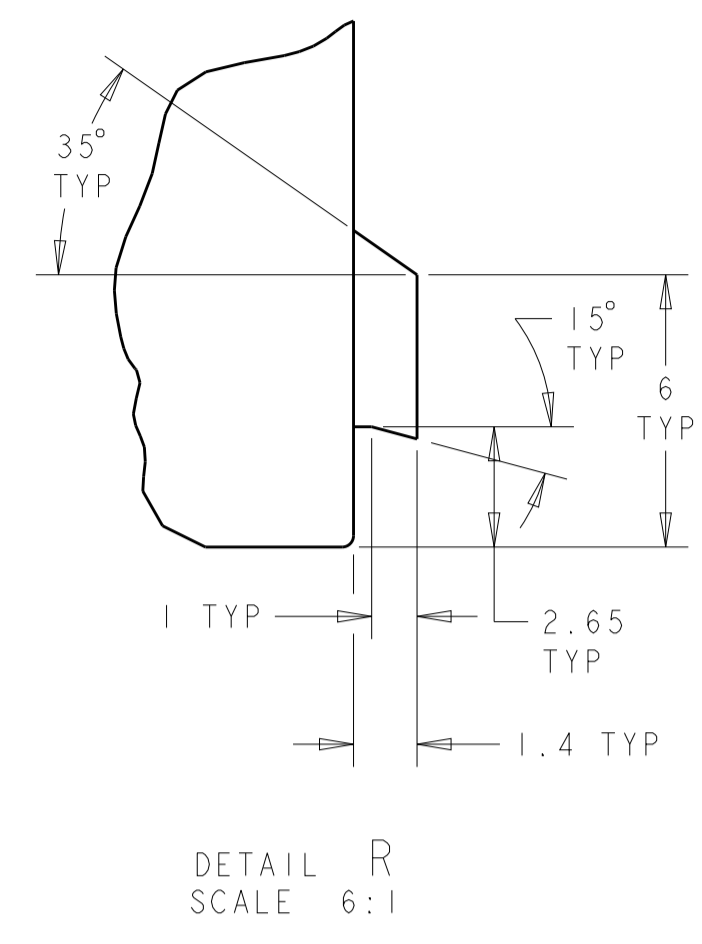
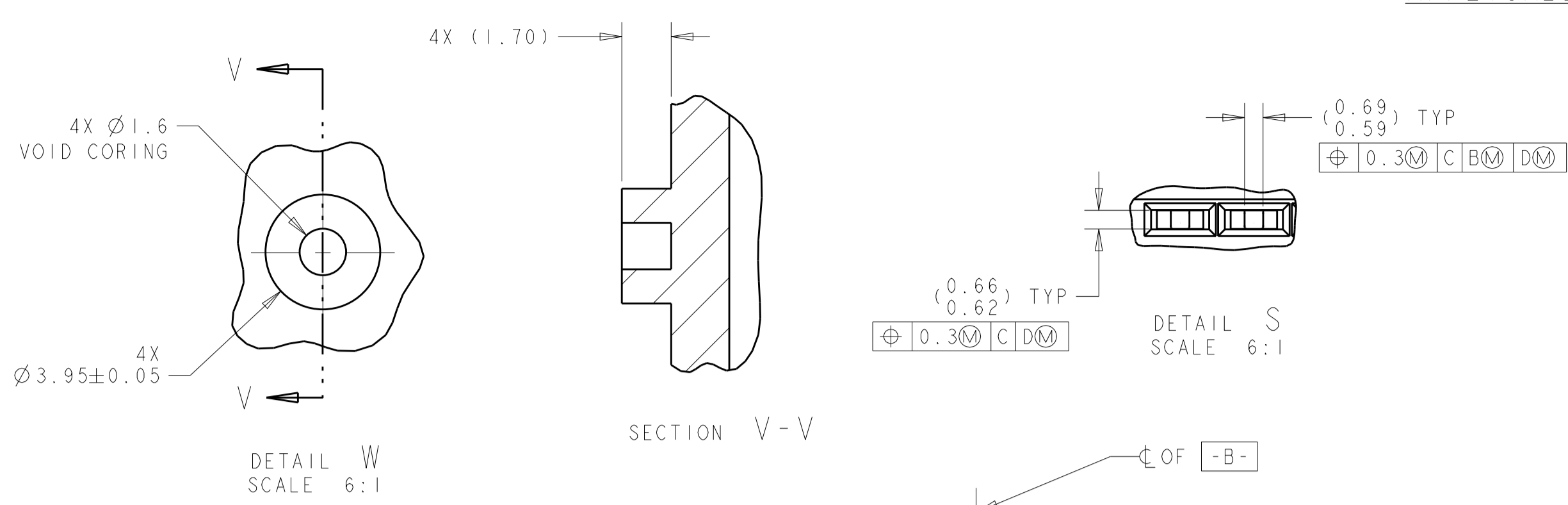
SEE SHEET 3
PART NUMBER

THIS DRAWING IS A CONTROLLED DOCUMENT.		OWN J. R. SHUEY 31MAR2000	TE Connectivity	
DIMENSIONS:		CHK V. KANE 31MAR2000		
TOLERANCES UNLESS OTHERWISE SPECIFIED:		APVD J. M. MYER 31MAR2000		
mm	0 PLC ±	PRODUCT SPEC	NAME ASSEMBLY, FEMALE, 60 WAY GET SDM CONNECTOR (SHUNTLESS VERSION)	
	1 PLC ±0.5	APPLICATION SPEC	SIZE 114-13060	
	2 PLC ±0.20	WEIGHT	CAGE CODE A100779	
	3 PLC ±	RESTRICTED TO	DRAWING NO C=638595	
	4 PLC ±	SCALE	SHEET 1 OF 10	
MATERIAL	FINISH	CUSTOMER DRAWING	REV BA3	
SEE CALLOUT	SEE CALLOUT			

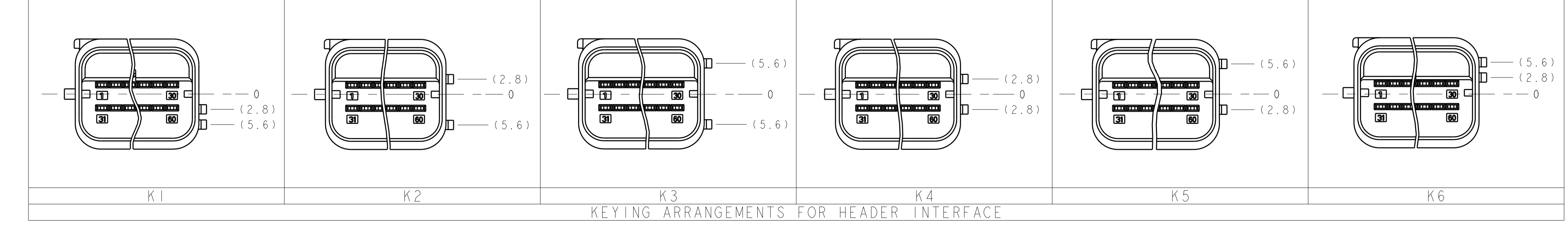
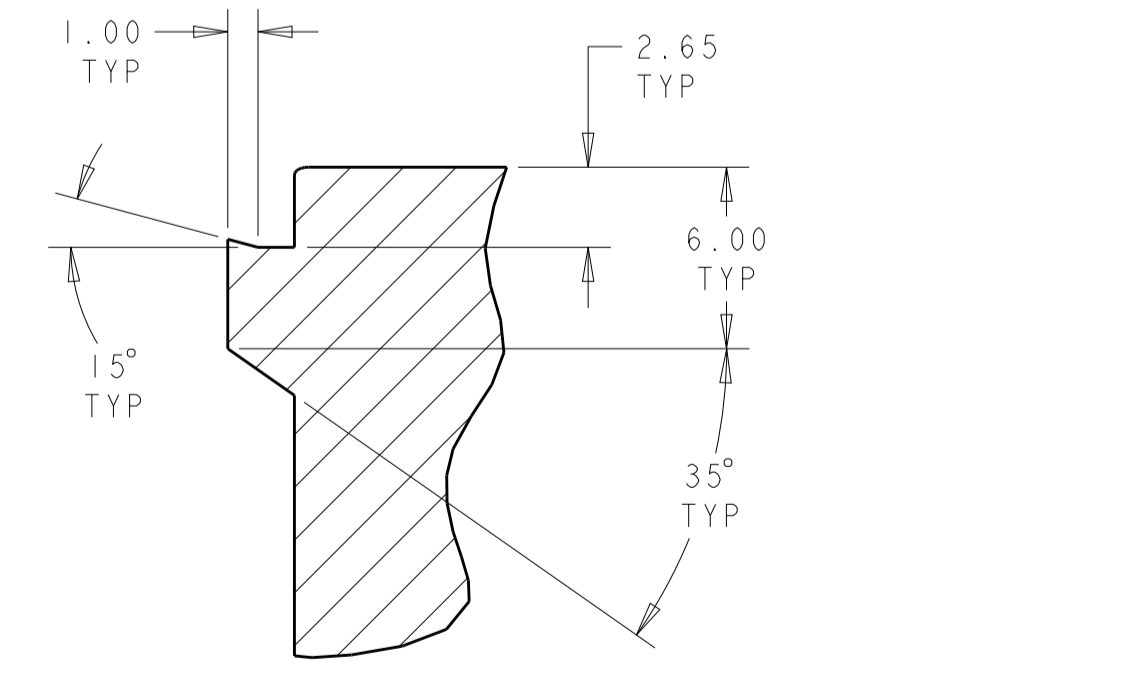
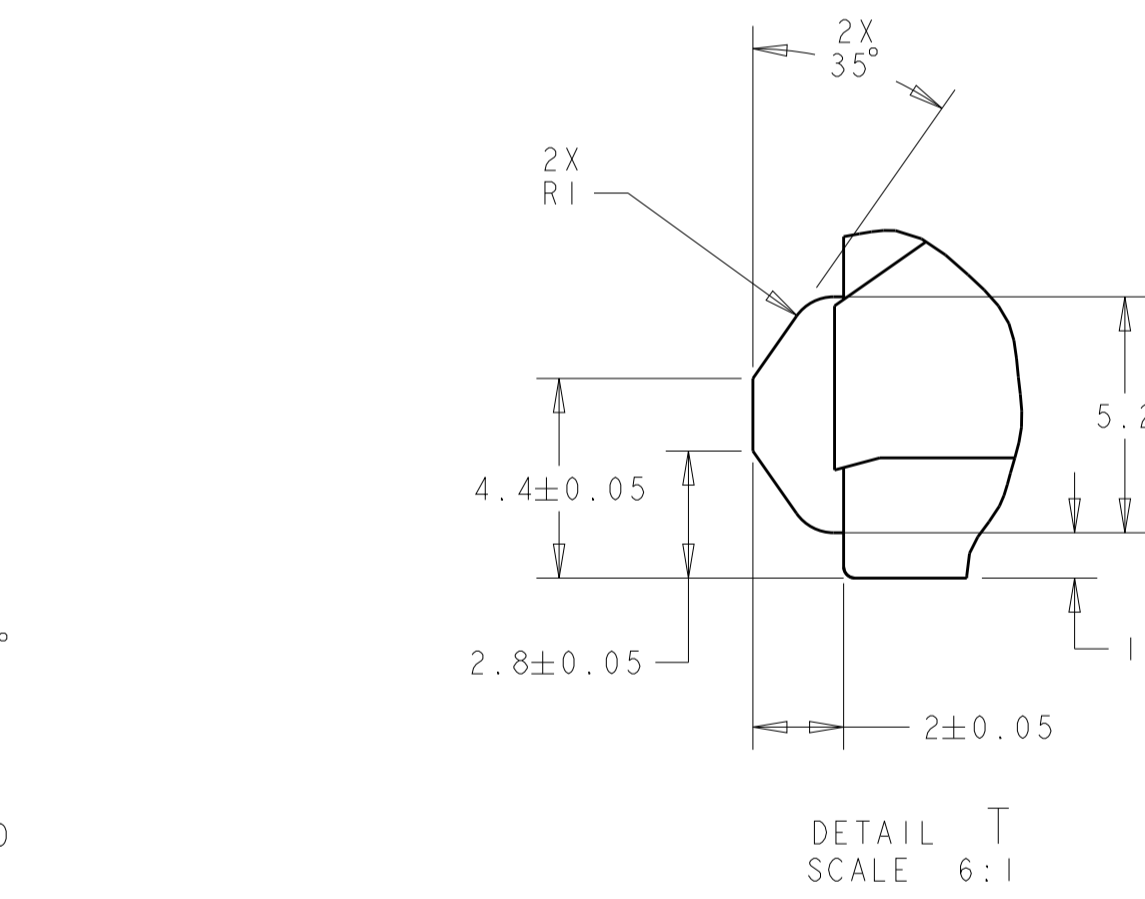
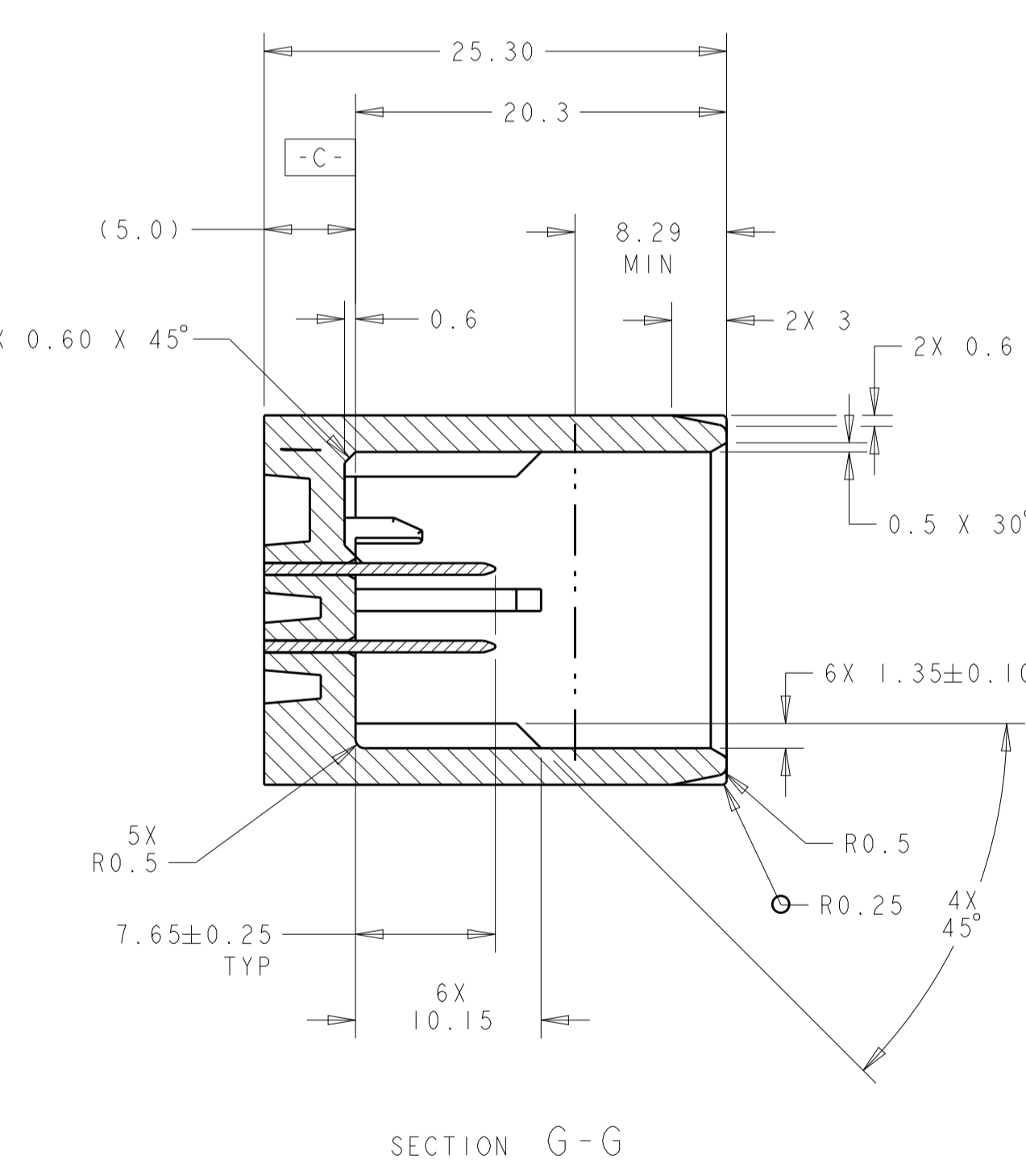
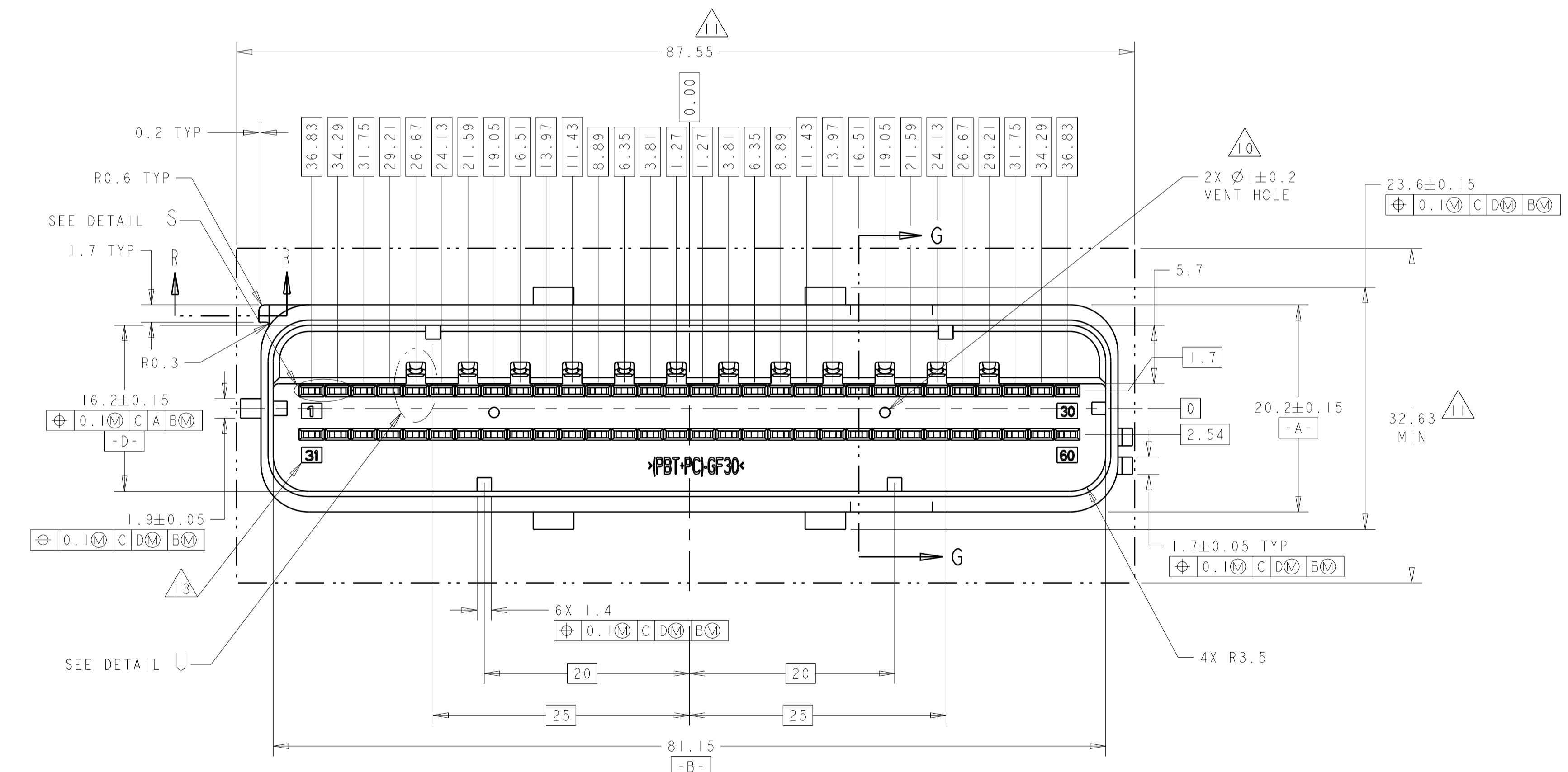
APPLICABLE HEADER INTERFACE SPECIFICATION

SHOWN WITH KEYING OPTION K1
SCALE 3:1

REVISIONS				
REV	DATE	BY	CHKD	APP'D
1				
2				
3				
4				
5				
6				
7				
8				



- NOTE(S): UNLESS OTHERWISE SPECIFIED
- PART MUST CONFORM TO THE LATEST LEVEL OF USCAR DATED 951010.
 - ALL PLASTIC PARTS MUST HAVE MATERIAL IDENTIFICATION SYMBOLS CLEARLY MARKED, WHEREVER PACKAGE SIZE PERMITS.
 - GENERAL TOLERANCES: ±0.2 ALL ONE PLACE DIMENSIONS, ±0.1 ALL TWO PLACE DIMENSIONS, ±2° ALL ANGULAR PLACE DIMENSIONS
 - ALL RADIUS ±0.5.
 - PIN PLATING DETAILS . . .
 - (SEALED INTERFACES ONLY) SEALING SURFACE MUST BE SMOOTH AND FREE OF PARTING LINES.
 - PARTS ARE TO BE FREE OF SCRATCHES, DISCOLORATION, SALT RESIDUE OR OTHER IMPERFECTIONS THAT MAY AFFECT FUNCTION OR FIT OF PART.
 - DRAFT ANGLE PERMISSIBLE ONLY WITHIN PRINT TOLERANCE.
- 9 SEALING SURFACE, NO WITNESS LINES OR DAMAGE PERMITTED.
 - 10 VENT HOLE SIZE AND LOCATION OPTIONAL.
 - 11 THIS AREA TO REMAIN CLEAR FOR HARNESS ASSEMBLY.
 - 12 HOUSING MATERIAL SELECTION BASED ON PERFORMANCE REQUIRED FOR END APPLICATION AND SOLDERING PROCESS.
POLYESTER (PBT) - 30% GLASS TESTED TO USCAR2, REV 3, CLASS 2, MAX. AMBIENT 100 DEGREE C.
 - 13 CIRCUIT NUMBERS 1.0 HIGH CHARACTERS RAISED 0.05 - 0.1 IN A 0.10 TO 0.15 RECESSED AREA.




THIS DRAWING IS A CONTROLLED DOCUMENT.		OWN: J. R. SHUEY 31MAR2000	TE Connectivity ASSEMBLY, FEMALE, 60 WAY GET SDM CONNECTOR (SHUNTLESS VERSION)
DIMENSIONS: mm		CHK: V. KANE 31MAR2000	
TOLERANCES UNLESS OTHERWISE SPECIFIED:		APVD: J. M. MYER 31MAR2000	NAME: ASSEMBLY, FEMALE, 60 WAY GET SDM CONNECTOR (SHUNTLESS VERSION)
0 PLC ±		PRODUCT SPEC	SIZE: 114-13060
1 PLC ±0.5		APPLICATION SPEC	RESTRICTED TO: A100779
2 PLC ±0.20		WEIGHT	CAGE CODE: 638595
3 PLC ±		CUSTOMER DRAWING	SCALE: 2:1 SHEET 2 OF 10
4 PLC ±			REV: BA3
ANGLES FINISH			
SEE CALLOUT			

THIS DRAWING IS UNPUBLISHED. RELEASED FOR PUBLICATION 20
 © COPYRIGHT 20 BY ALL RIGHTS RESERVED.

REVISIONS				
P.	LTN	DESCRIPTION	DATE	OWN APVD
-	-	SEE SHEET 1	-	-

13577852	BLACK	C134	K5	3-1924558-7
13502172	BLACK	C130	K3	2-1924558-2
13502171	BLACK	C120	K3	2-1924558-1
13502170	BLACK	C42	K6	2-1924558-0
13502169	BLACK	C91	K6	1-1924558-9
19206496	BLACK	C125	K4	1-1924558-8
19206495	BLACK	C126	K2	1-1924558-7
19206494	BLACK	C125	K1	1-1924558-6
19206493	BLACK	C124	K3	1-1924558-5
19206492	BLACK	C123	K3	1-1924558-4
19206488	BLACK	C46	K3	1-1924558-0
19152767	BLACK	C37	K2	1924558-8
19180411	BLACK	C22	K3	1924558-7
19179682	BLACK	C22	K6	1924558-5
19179684	BLACK	C29	K5	1924558-2
19179685	BLACK	C28	K2	1924558-1
GM PART NUMBER	SLIDE COLOR	CIRCUIT ARRANGEMENT (SEE TABLE ON SH. 5 & 6)	KEYING ARRANGEMENT (SEE TABLE ON SHEET 5)	PART NUMBER

THIS DRAWING IS A CONTROLLED DOCUMENT.		OWN J. R. SHUEY 31MAR2000	 TE Connectivity
DIMENSIONS: mm		CHK V. KANE 31MAR2000	
TOLERANCES UNLESS OTHERWISE SPECIFIED:		APVD J. M. MYER 31MAR2000	NAME ASSEMBLY, FEMALE, 60 WAY GET SDM CONNECTOR (SHUNTLESS VERSION)
0 PLC ±	1 PLC ±0.5	PRODUCT SPEC	SIZE CAGE CODE DRAWING NO. RESTRICTED TO
2 PLC ±0.20	3 PLC ±	APPLICATION SPEC	A100779C=638595
4 PLC ±	ANGLES ±	WEIGHT	SCALE 2:1 SHEET 4 OF 10
MATERIAL SEE CALLOUT	FINISH SEE CALLOUT	CUSTOMER DRAWING	REV BA3

REVISIONS				
P.	LTN	DESCRIPTION	DATE	APVD
-	-	SEE SHEET 1	-	-

NOT INTENDED FOR PRODUCTION USE
 SERVICE PART

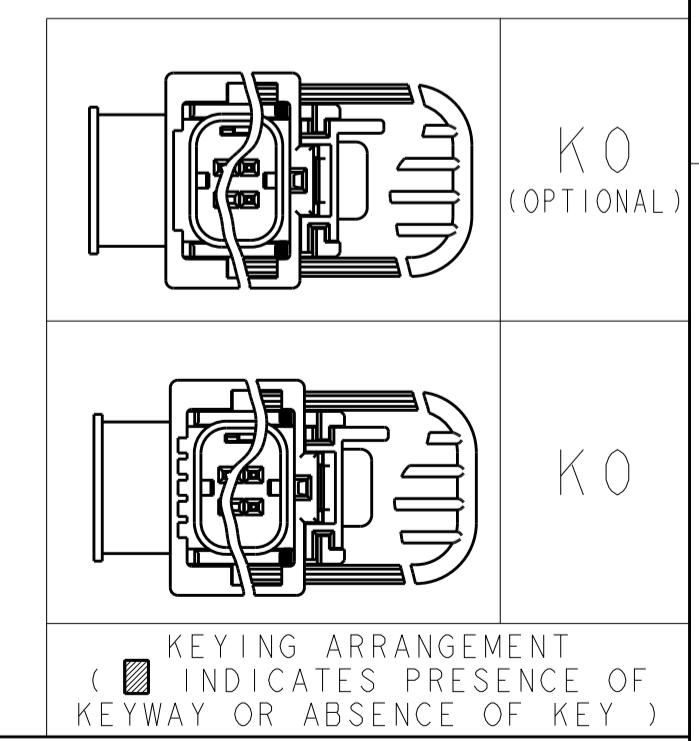
9	BLACK	C3	K0	8-184464-7
	SLIDE COLOR	CIRCUIT ARRANGEMENT (SEE TABLE ON SHEET 4)	KEYING ARRANGEMENT (SEE TABLE ON SHEET 4)	PART NUMBER

NOT INTENDED FOR PRODUCTION USE
 SERVICE PART

1	2	3	4	5	6	7	8	9	10	11	12	13	14	15	16	17	18	19	20	21	22	23	24	25	26	27	28	29	30	
31	32	33	34	35	36	37	38	39	40	41	42	43	44	45	46	47	48	49	50	51	52	53	54	55	56	57	58	59	60	

C3

CIRCUIT ARRANGEMENT
 [X] INDICATES UNAVAILABLE (BLOCKED) CIRCUIT



THIS DRAWING IS A CONTROLLED DOCUMENT.

OWN: J. R. SHUEY 31MAR2000
 CHG: V. KANE 31MAR2000
 APVD: J. M. MYER 31MAR2000

TE Connectivity

ASSEMBLY, FEMALE, 60 WAY GET SDM CONNECTOR (SHUNTLESS VERSION)

SIZE: A1 CAGE CODE: 100779 DRAWING NO: 638595
 WEIGHT: 114-13060

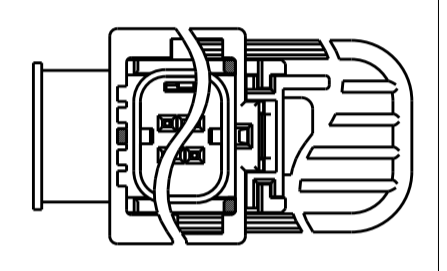
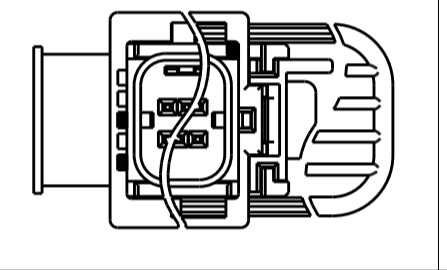
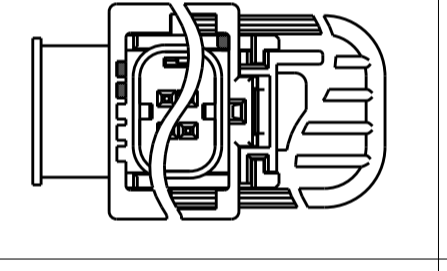
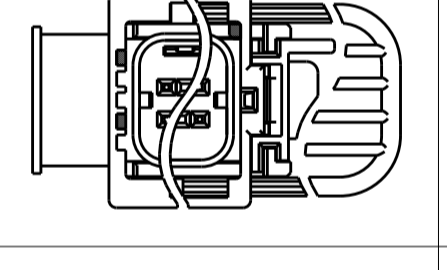
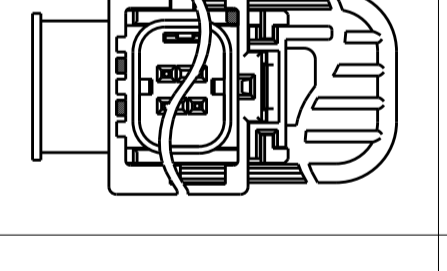
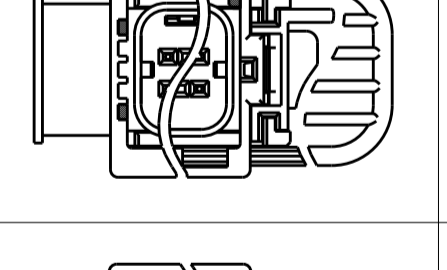
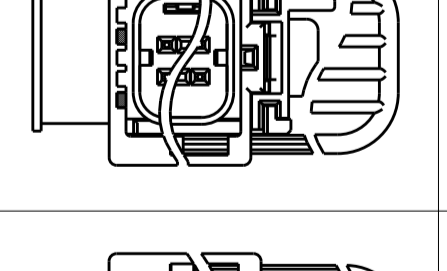
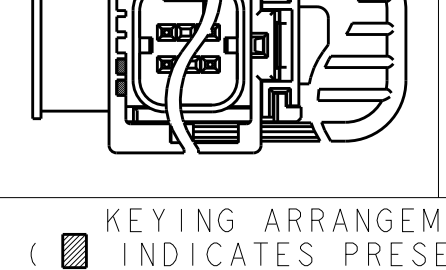
MATERIAL: SEE CALLOUT
 FINISH: SEE CALLOUT

CUSTOMER DRAWING


SCALE: 2:1 SHEET 5 OF 10

THIS DRAWING IS UNPUBLISHED. RELEASED FOR PUBLICATION 20
 © COPYRIGHT 20 BY - ALL RIGHTS RESERVED.

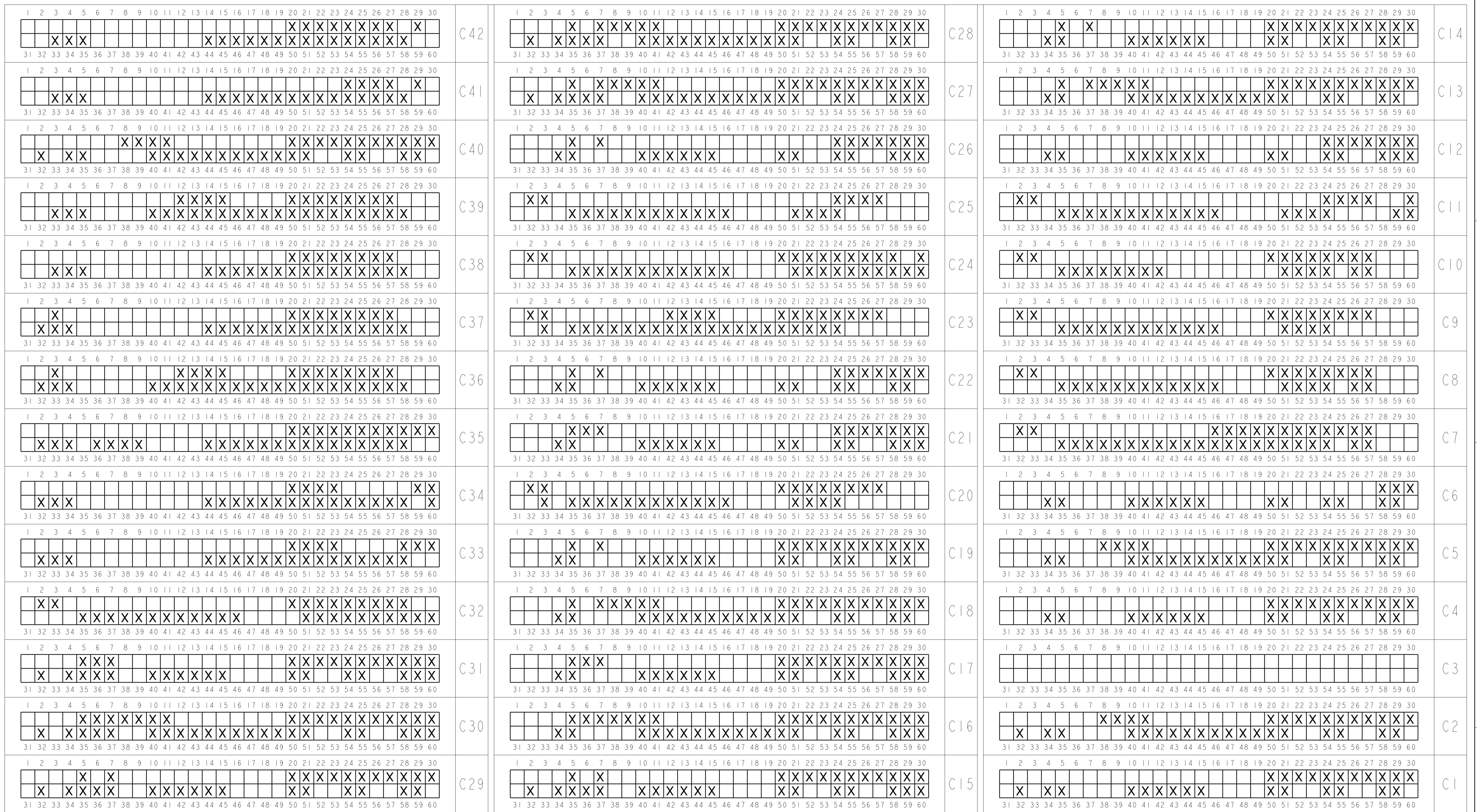
REVISIONS				
P.	LTN	DESCRIPTION	DATE	OWN APVD
-	-	SEE SHEET 1	-	-

	K99
	K7
	K6
	K5
	K4
	K3
	K2
	K1

KEYING ARRANGEMENT
 (INDICATES PRESENCE OF
 KEYWAY OR ABSENCE OF KEY)

THIS DRAWING IS A CONTROLLED DOCUMENT.		DWN J. R. SHUEY 31MAR2000	 TE Connectivity
		CHK V. KANE 31MAR2000	
DIMENSIONS: mm		APVD J. M. MYER 31MAR2000	NAME ASSEMBLY, FEMALE, 60 WAY GET SDM CONNECTOR (SHUNTLESS VERSION)
TOLERANCES UNLESS OTHERWISE SPECIFIED:		PRODUCT SPEC	RESTRICTED TO
0 PLC ±		APPLICATION SPEC	SIZE A1
1 PLC ±0.5		114-13060	CAGE CODE 00779
2 PLC ±0.20		WEIGHT	DRAWING NO. 638595
3 PLC ±		CUSTOMER DRAWING	SCALE 2:1
4 PLC ±			SHEET 6 OF 10
ANGLES ±			REV BA3
FINISH			
MATERIAL SEE CALLOUT	SEE CALLOUT		

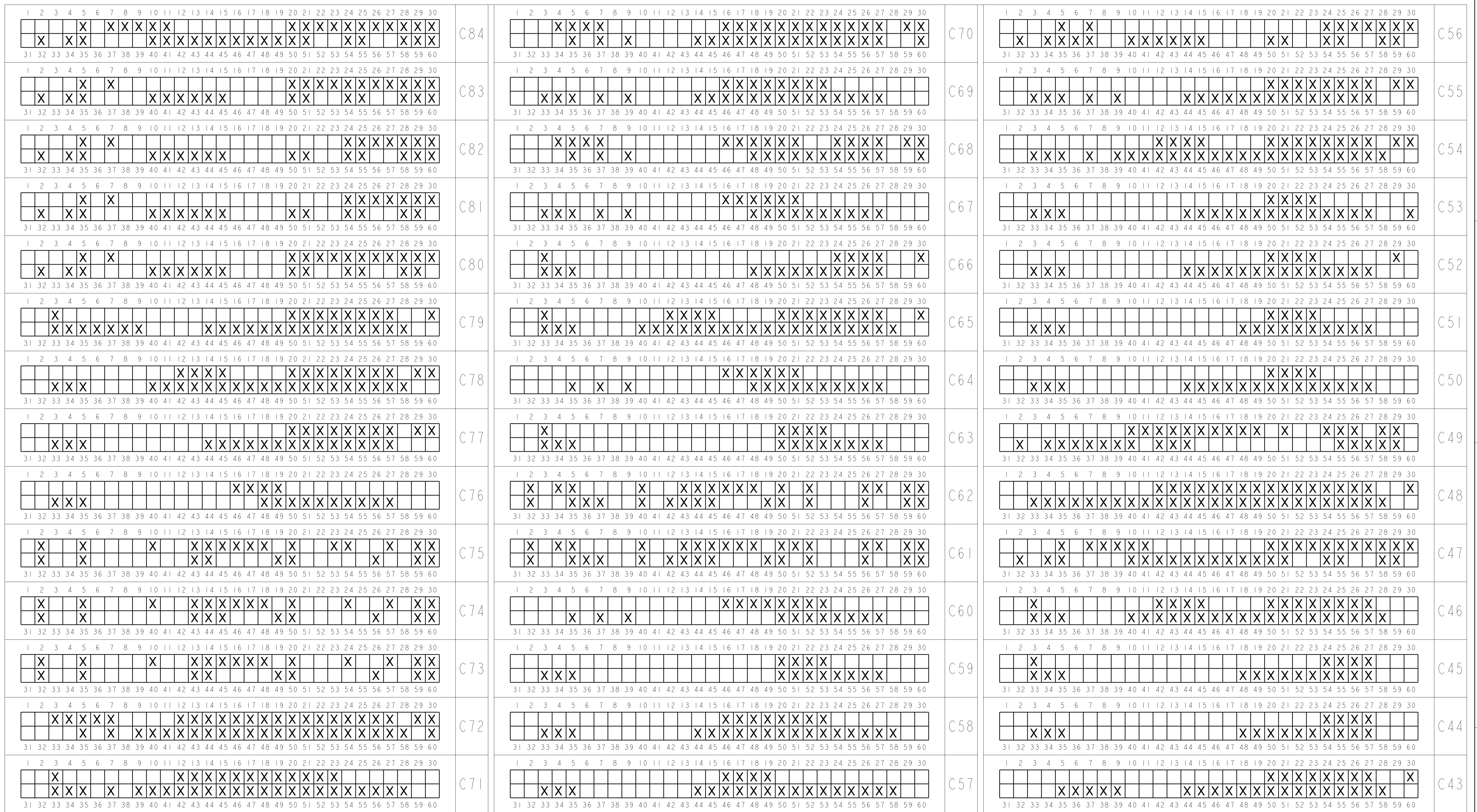
REVISIONS				
P.	LTN	DESCRIPTION	DATE	OWN APVD
-	-	SEE SHEET 1	-	-



CIRCUIT ARRANGEMENT
 X INDICATES UNAVAILABLE (BLOCKED) CIRCUIT

THIS DRAWING IS A CONTROLLED DOCUMENT.		OWN: J. R. SHUEY 31MAR2000	TE Connectivity ASSEMBLY, FEMALE, 60 WAY GET SDM CONNECTOR (SHUNTLESS VERSION)
DIMENSIONS: mm		CHK: V. KANE 31MAR2000	
TOLERANCES UNLESS OTHERWISE SPECIFIED:		APVD: J. M. MYER 31MAR2000	NAME: ASSEMBLY, FEMALE, 60 WAY GET SDM CONNECTOR (SHUNTLESS VERSION)
0 PLC ±.1 1 PLC ±0.5 2 PLC ±0.20 3 PLC ±.1 4 PLC ±.1 ANGLES ±.1 FINISH		APPLICATION SPEC: 114-13060	SIZE: A1
MATERIAL: SEE CALLOUT		WEIGHT: 1.14	CAGE CODE: 638595
		CUSTOMER DRAWING	RESTRICTED TO: BA3
		SCALE: 2:1	SHEET 7 OF 10

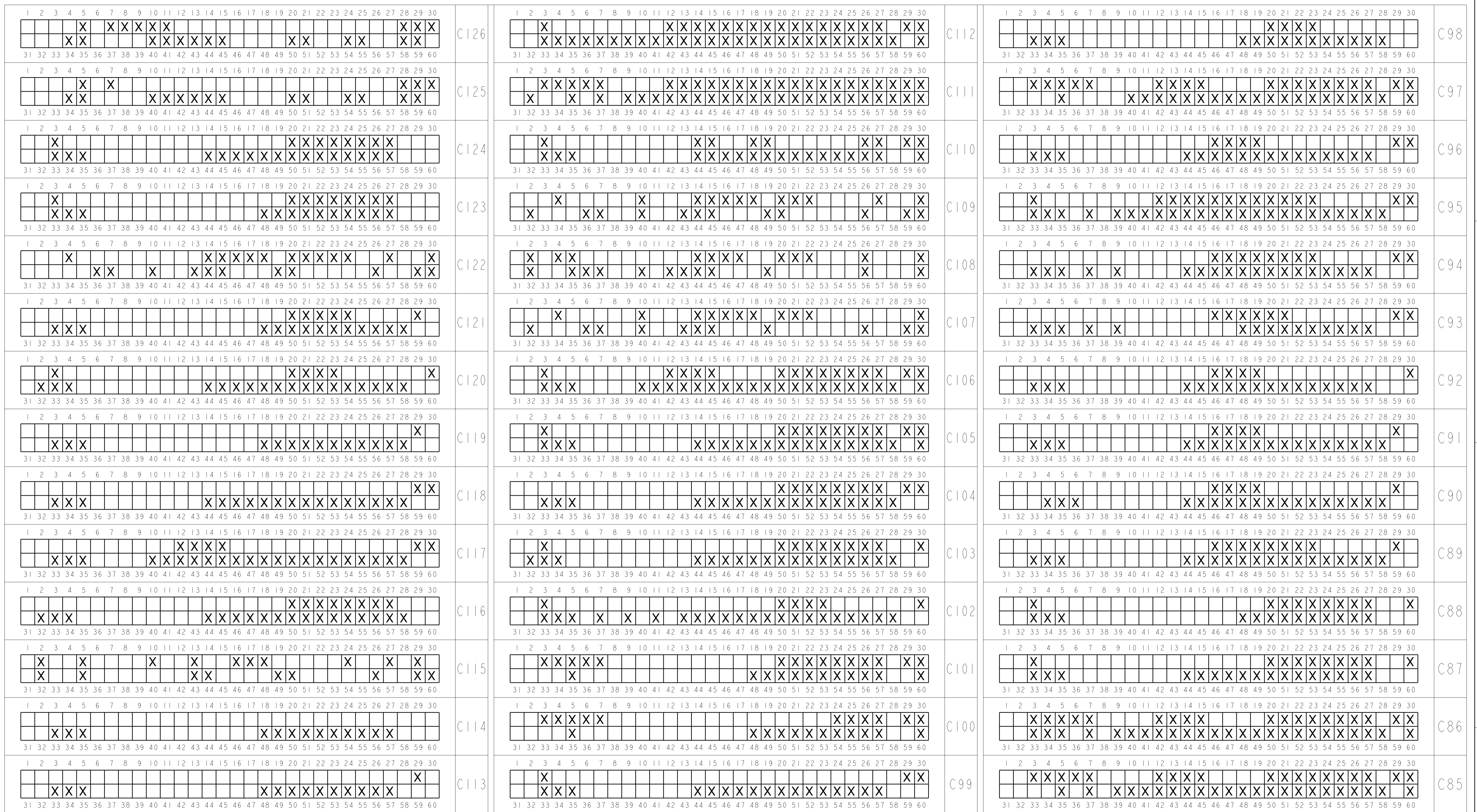
REVISIONS				
P.	LTN	DESCRIPTION	DATE	OWN APVD
-	-	SEE SHEET 1	-	-



CIRCUIT ARRANGEMENT
 X INDICATES UNAVAILABLE (BLOCKED) CIRCUIT

THIS DRAWING IS A CONTROLLED DOCUMENT.		OWN: J. R. SHUEY 31MAR2000	TE Connectivity ASSEMBLY, FEMALE, 60 WAY GET SDM CONNECTOR (SHUNTLESS VERSION)
DIMENSIONS: mm		CHK: V. KANE 31MAR2000	
TOLERANCES UNLESS OTHERWISE SPECIFIED:		APVD: J. M. MYER 31MAR2000	
0 PLC ± 1 PLC ±0.5 2 PLC ±0.20 3 PLC ± 4 PLC ± ANGLES ± FINISH ±		PRODUCT SPEC	
MATERIAL: SEE CALLOUT		APPLICATION SPEC	SIZE: A1
		WEIGHT: 114-13060	CAGE CODE: 638595
		CUSTOMER DRAWING	SCALE: 2:1
			SHEET 8 OF 10

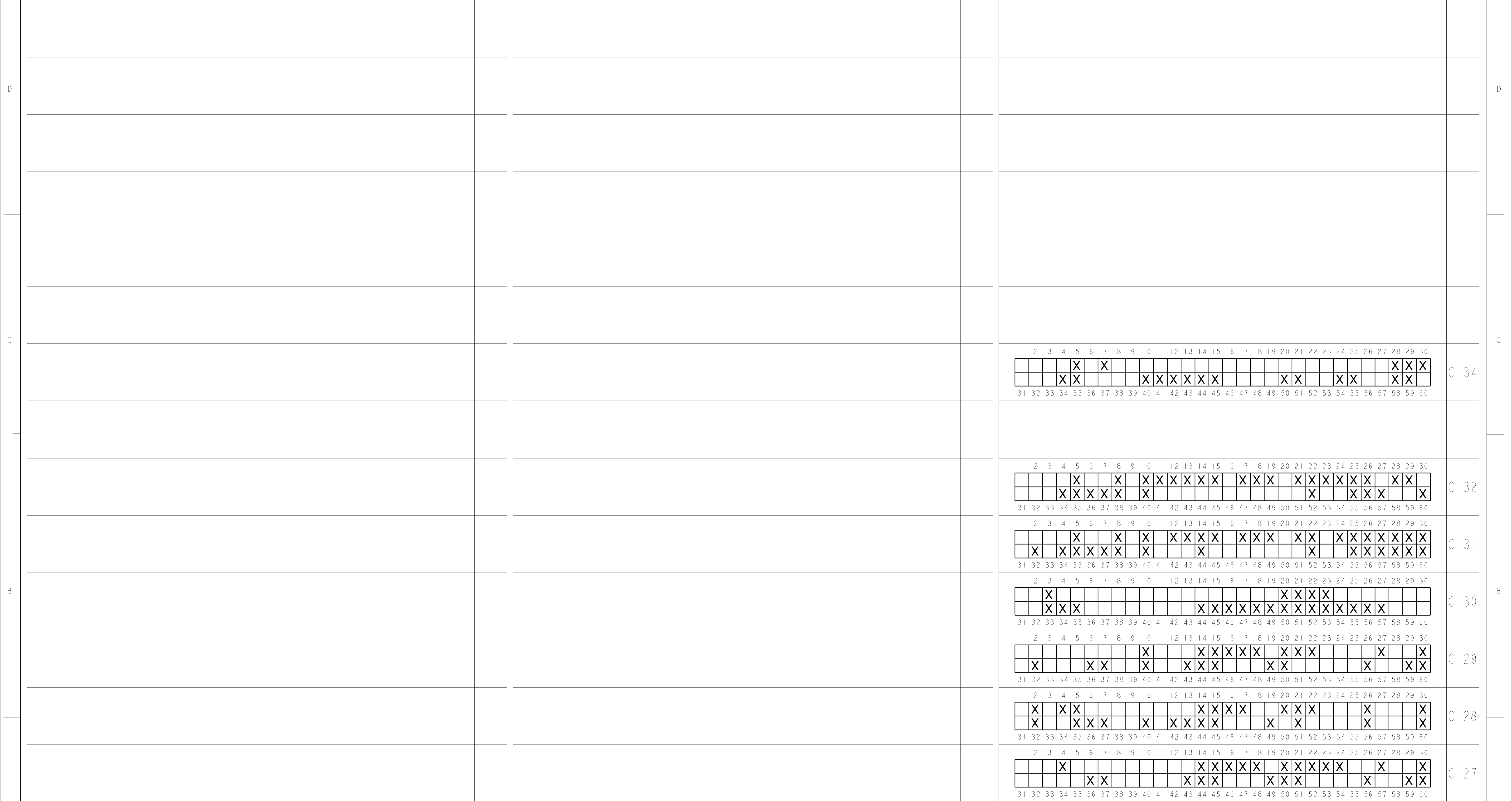
REVISIONS				
P.	LTN	DESCRIPTION	DATE	OWN APVD
-	-	SEE SHEET 1	-	-



CIRCUIT ARRANGEMENT
 [X] INDICATES UNAVAILABLE (BLOCKED) CIRCUIT

THIS DRAWING IS A CONTROLLED DOCUMENT.		DWN: J. R. SHUEY 31MAR2000 CHK: V. KANE 31MAR2000 APVD: J. M. MYER 31MAR2000	
DIMENSIONS: mm		TOLERANCES UNLESS OTHERWISE SPECIFIED: 0 PLC ±0.25 1 PLC ±0.5 2 PLC ±0.25 3 PLC ±0.5 4 PLC ±0.5 ANGLES ±0.5 FINISH	
MATERIAL: SEE CALLOUT		APPLICATION SPEC: 114-13060 WEIGHT: CUSTOMER DRAWING	
SCALE: 2:1		SHEET 9 OF 10	
CAGE CODE: A100779		DRAWING NO: 638595	
RESTRICTED TO: BA3		TE Connectivity	

REVISIONS				
P.	LTN	DESCRIPTION	DATE	APVD
-		SEE SHEET 1	-	-



1	2	3	4	5	6	7	8	9	10	11	12	13	14	15	16	17	18	19	20	21	22	23	24	25	26	27	28	29	30
			X			X																					X	X	X
			X	X						X	X	X	X	X						X	X			X	X			X	X
31	32	33	34	35	36	37	38	39	40	41	42	43	44	45	46	47	48	49	50	51	52	53	54	55	56	57	58	59	60

C134

1	2	3	4	5	6	7	8	9	10	11	12	13	14	15	16	17	18	19	20	21	22	23	24	25	26	27	28	29	30
			X			X			X	X	X	X	X	X				X	X	X	X	X	X	X	X	X	X	X	
		X	X	X	X	X		X												X			X	X	X			X	
31	32	33	34	35	36	37	38	39	40	41	42	43	44	45	46	47	48	49	50	51	52	53	54	55	56	57	58	59	60

C132

1	2	3	4	5	6	7	8	9	10	11	12	13	14	15	16	17	18	19	20	21	22	23	24	25	26	27	28	29	30
			X			X			X	X	X	X	X	X	X				X	X	X	X	X	X	X	X	X	X	
X		X	X	X	X	X		X			X									X			X	X	X	X	X	X	
31	32	33	34	35	36	37	38	39	40	41	42	43	44	45	46	47	48	49	50	51	52	53	54	55	56	57	58	59	60

C131

1	2	3	4	5	6	7	8	9	10	11	12	13	14	15	16	17	18	19	20	21	22	23	24	25	26	27	28	29	30
	X																		X	X	X		X						
X	X	X											X	X	X	X	X	X	X	X	X	X	X	X	X	X	X	X	
31	32	33	34	35	36	37	38	39	40	41	42	43	44	45	46	47	48	49	50	51	52	53	54	55	56	57	58	59	60

C130

1	2	3	4	5	6	7	8	9	10	11	12	13	14	15	16	17	18	19	20	21	22	23	24	25	26	27	28	29	30
									X			X	X	X	X	X			X	X	X					X		X	
X				X	X			X			X	X	X			X	X							X		X	X	X	
31	32	33	34	35	36	37	38	39	40	41	42	43	44	45	46	47	48	49	50	51	52	53	54	55	56	57	58	59	60

C129

1	2	3	4	5	6	7	8	9	10	11	12	13	14	15	16	17	18	19	20	21	22	23	24	25	26	27	28	29	30
	X		X	X									X	X	X	X			X	X	X				X			X	
X			X	X	X		X			X	X	X	X				X	X		X				X				X	
31	32	33	34	35	36	37	38	39	40	41	42	43	44	45	46	47	48	49	50	51	52	53	54	55	56	57	58	59	60

C128

1	2	3	4	5	6	7	8	9	10	11	12	13	14	15	16	17	18	19	20	21	22	23	24	25	26	27	28	29	30
		X										X	X	X	X			X	X	X	X				X			X	
			X	X						X	X	X			X	X							X				X	X	
31	32	33	34	35	36	37	38	39	40	41	42	43	44	45	46	47	48	49	50	51	52	53	54	55	56	57	58	59	60

C127

CIRCUIT ARRANGEMENT

[X] INDICATES UNAVAILABLE (BLOCKED) CIRCUIT

THIS DRAWING IS A CONTROLLED DOCUMENT.		OWN: J. R. SHUEY 31MAR2000			
		CHK: V. KANE 31MAR2000			
DIMENSIONS: mm		TOLERANCES UNLESS OTHERWISE SPECIFIED: 0 PLC ±, 1 PLC ±0.5, 2 PLC ±0.20, 3 PLC ±, 4 PLC ±, ANGLES ±	ASSEMBLY, FEMALE, 60 WAY GET SDM CONNECTOR (SHUNTLESS VERSION)		
		FINISH: SEE CALLOUT			
MATERIAL: SEE CALLOUT		APVD: J. M. MYER 31MAR2000			
		PRODUCT SPEC: - APPLICATION SPEC: 114-13060			
		WEIGHT: -	RESTRICTED TO: -		
		CUSTOMER DRAWING	SIZE: A1	CAGE CODE: 100779	DRAWING NO: 638595
			SCALE: 2:1 SHEET 10 OF 10		