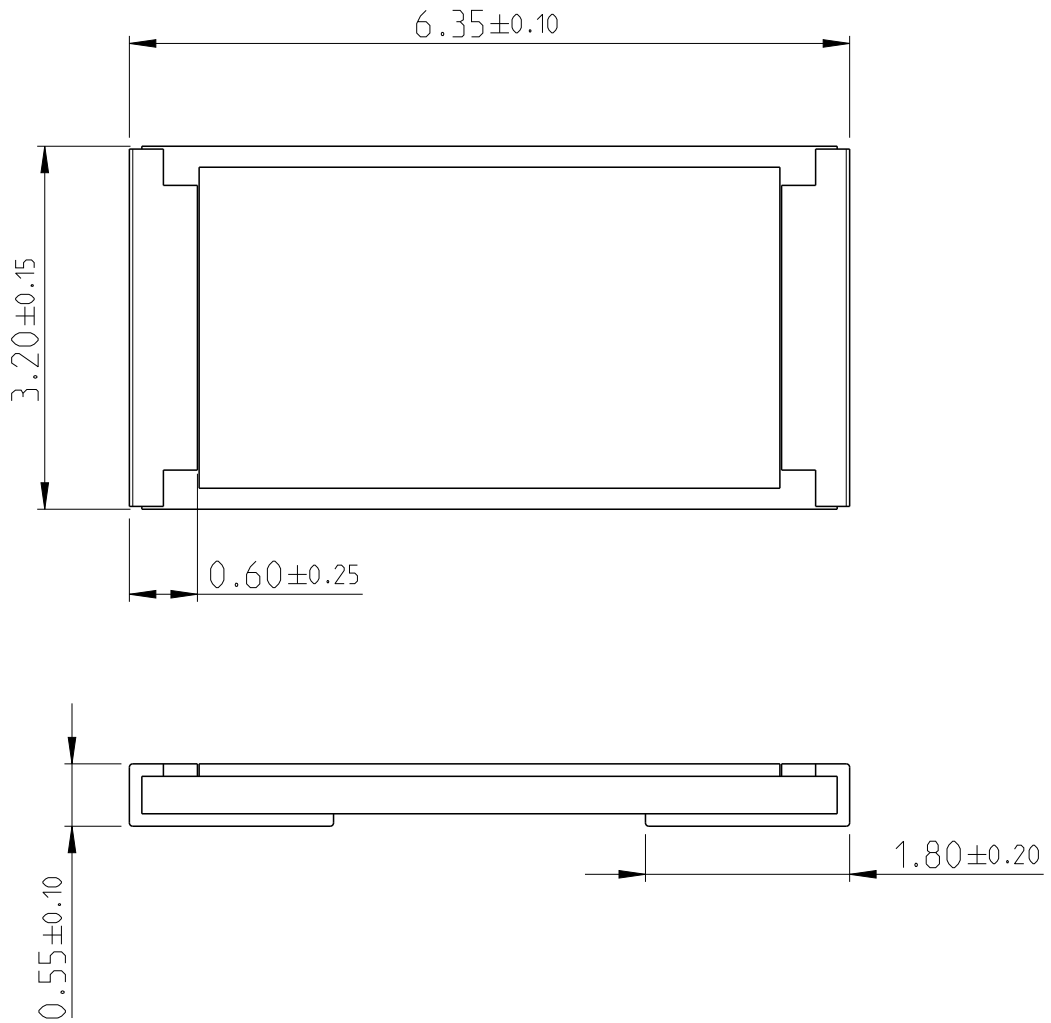
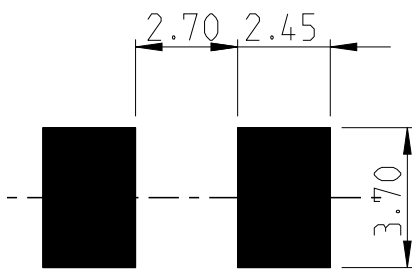


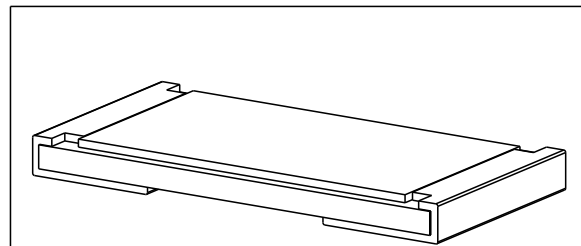
LOC	DIST	REVISIONS					
-	-	P	LTR	DESCRIPTION	DATE	DWN	APVD
		BB1	ECR-15-009470		24 JUN 2015	KR	TN



FOR FURTHER INFORMATION SEE PRODUCT SPECIFICATION FOR CRGH SERIES



RoHS Compliant



PCB LAYOUT PLAN


RELEASED FOR PUBLICATION

THIS DRAWING IS UNPUBLISHED.

ALL RIGHTS RESERVED.

BY -

© COPYRIGHT 20

DIMENSIONS: mm	DWN RAGHAVENDRA K	27 JUN 2012	MATERIAL	-	FINISH	-
	CHK ALLAN P	27 JUN 2012	 TE Connectivity			
TOLERANCES UNLESS OTHERWISE SPECIFIED:	APVD TONY N	27 JUN 2012				
	0 PLC \pm	PRODUCT SPEC	SIZE	CAGE CODE	DRAWING NO	RESTRICTED TO
1 PLC ± 0.5	-	-	A 4	00779	C-1879525	-
2 PLC ± 0.13	APPLICATION SPEC	-	Customer Drawing			
3 PLC ± 0.013	-	-	SCALE	40:1	SHEET	1 OF 1
4 PLC ± 0.0001	WEIGHT	-	REV BB1			
ANGLES \pm	