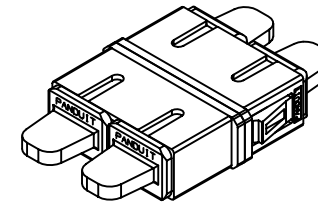
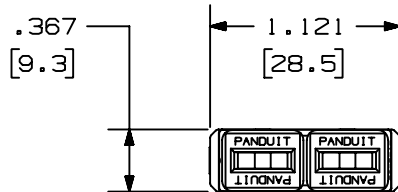
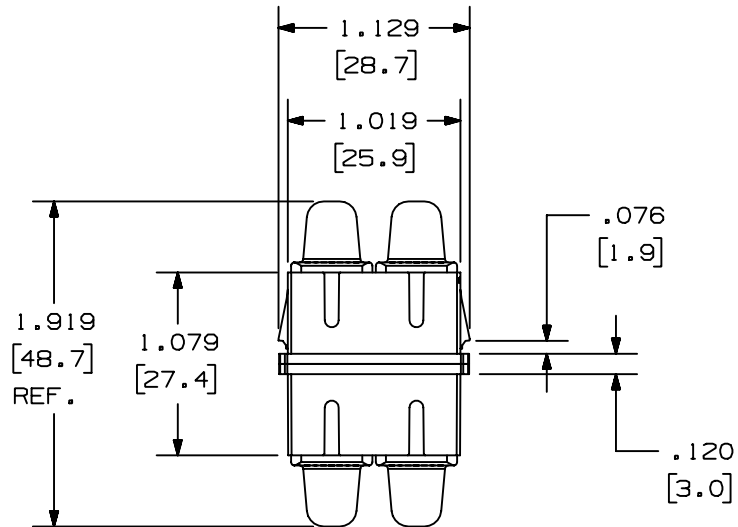


THIS COPY IS PROVIDED ON A RESTRICTED BASIS AND IS NOT TO BE USED IN ANY WAY DETRIMENTAL TO THE INTERESTS OF PANDUIT CORP.



PANDUIT P/N	WEIGHT	SPLIT SLEEVE TYPE
FADSCAQ-L	.7 lbs/50 Pcs [ 315.6 g/50 Pcs ]	PHOS BRONZE
FADSCEI-L		
FADSCZAG-L	.7 lbs/50 Pcs [ 315.6 g/50 Pcs ]	ZIRCONIA
FADSCZAQ-L		
FADSCZBU-L		

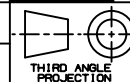
NOTES:

- SEE CURRENT CATALOG FOR ADDITIONAL PART NUMBERS, COLORS, AND OR PACKAGE QUANTITIES.
- SEE CATALOG FOR COMPLETE LIST OF PARTS APPLICABLE FOR USE WITH THIS PART.
- MATERIAL:
  - ADAPTER HOUSING: PLASTIC
  - SPLIT SLEEVE: SEE TABLE
  - INNER LATCH: PLASTIC
  - DUST CAP: PLASTIC
- COMPLIANT WITH TIA/EIA-604-3 (FOCIS-3) AND TIA/EIA-568B.3
- DIMENSIONS IN BRACKETS ARE METRIC [ mm ]

FIBER ADAPTER DUPLEX SC  
CUSTOMER DRAWING



**PANDUIT**™  
CORP.  
TINLEY PARK, ILL 60477



THIRD ANGLE  
PROJECTION  
DRAWN BY  
MC

ALL DIMENSIONS ARE GIVEN IN INCHES,  
UNLESS OTHERWISE SPECIFIED.  
DIMENSIONAL TOLERANCES ARE:  
(.X) (.XXX) ± .010 (0.3)  
(.XX) ± .02 (0.5) ANGLES

REVIEW DRAWING NUMBERS

DRAWING FILENAME  
M0115BF\_DC\_00B.prt  
SCALE  
NONE

PART NO.  
SEE TABLE

REV	DATE	BY	CHK	DESCRIPTION	ECN	R	CUST	SUP	OTH
1	01-05-05	MC		RELEASED TO PRODUCTION	01115-08				

DATE  
02-27-04  
CHK'D  
MTV

DRAWING NO.  
01115-08  
SIZE  
A