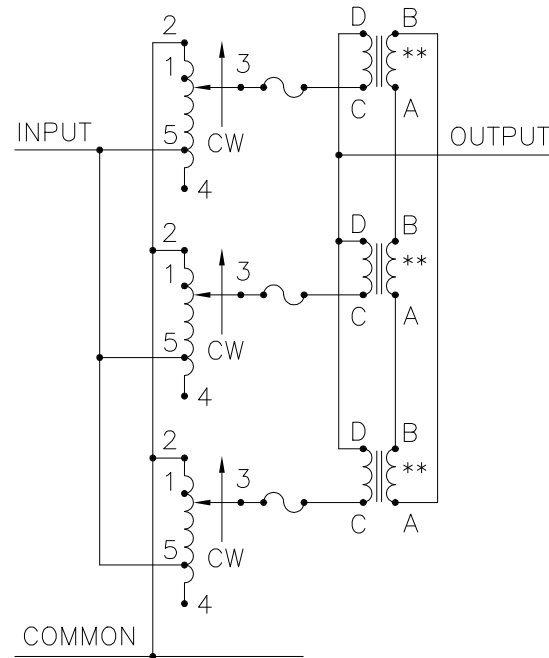


SCHEMATIC
 THREE PHASE WYE
 FUSE RECOMMENDED BUT
 NOT SUPPLIED.



SCHEMATIC
 SINGLE PHASE PARALLEL
 FUSE RECOMMENDED BUT
 NOT SUPPLIED.

++ LINE TO LINE VOLTAGE.

** REQUIRES THREE 51LAC PARALLELING CHOKES (NOT SUPPLIED).

∏ IF GANGED UNITS ARE USED IN A SYSTEM THAT ORDINARILY HAS A COMMON NEUTRAL OR GROUND BETWEEN SOURCE AND LOAD, THE NEUTRAL OR GROUND MUST BE CONNECTED TO THE COMMON TERMINALS OF THE VARIABLE TRANSFORMER ASSEMBLY. IF THE SYSTEM HAS NO NEUTRAL, THE LOAD MUST BE BALANCED OR THE TRANSFORMER WILL BE DAMAGED.

■ JUMPER PROVIDED IN STANDARD COMMON POSITION AND SHOULD BE REMOVED OR REMOVED AS REQUIRED.

SPECIFICATIONS											
WIRING	INPUT		OUTPUT				SHAFT ROTATION TO INCREASE VOLTAGE	TERMINAL CONNECTIONS			
	VOLTS	HERTZ	VOLTS	CONSTANT CURRENT LOAD MAX. AMPS	CONSTANT IMPEDANCE LOAD MAX. KVA	MAX. AMPS		MAX. KVA	FOR INCREASING VOLTAGE AS VIEWED FROM BASE END ■		
SINGLE PHASE PARALLEL **	120	50/60	0-120	75	9.00	90	10.8	CW	2-2-2, 4-4-4	—	4-D
			0-140	75	10.50	—	—	CCW	2-2-2, 4-4-4	—	2-D
								CW	1-1-1, 4-4-4	—	4-D
CCW	5-5-5, 2-2-2	—	2-D								
THREE PHASE WYE ∏	240	50/60	0-240	25	10.40	30	12.5	CW	2-2-2	4-4-4	3-3-3
			0-280	25	12.10	—	—	CCW	4-4-4	2-2-2	3-3-3
		CW						1-1-1	4-4-4	3-3-3	
		CCW	5-5-5	2-2-2	3-3-3						

UNLESS OTHERWISE SPECIFIED, TOLERANCE IS ± DECIMALS .XX .XXX .06 .0002 .01 ANGLES DRAFT 1° 1-1/2° UNITS IN [mm]

MATERIAL: ALL DIMENSIONS APPLY AFTER PLATING

TITLE: SPEC. CONTROL DRAWING VARIABLE TRANSFORMER MODEL: 2510-3

STACO ENERGY PRODUCTS CO. A COMPONENTS CORPORATION OF AMERICA COMPANY DAYTON, OHIO U.S.A.

DRAWN BY S.A. SMITH DATE 12/28/00 FIRST USED ON DO NOT SCALE DWG. CUSTOMER APPROVAL DATE

CHECKER DATE WEIGHT APPROX. 68 LBS CODE IDENT. NO. 83008 DWG. NO. 031-4325

ENGINEER DATE SCALE 1/2 SHEET 1 OF 1