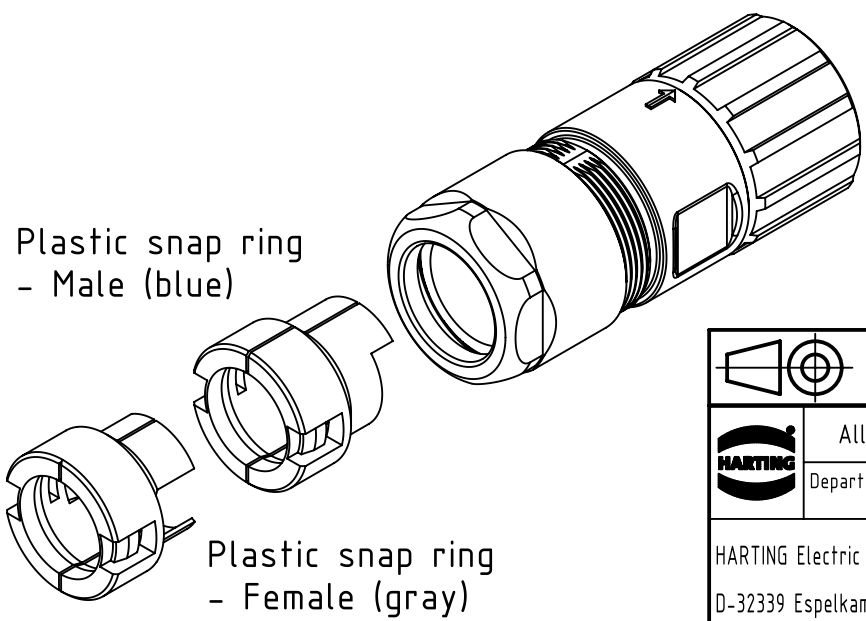
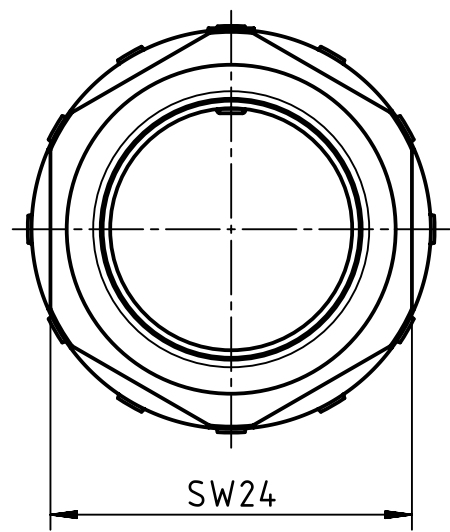
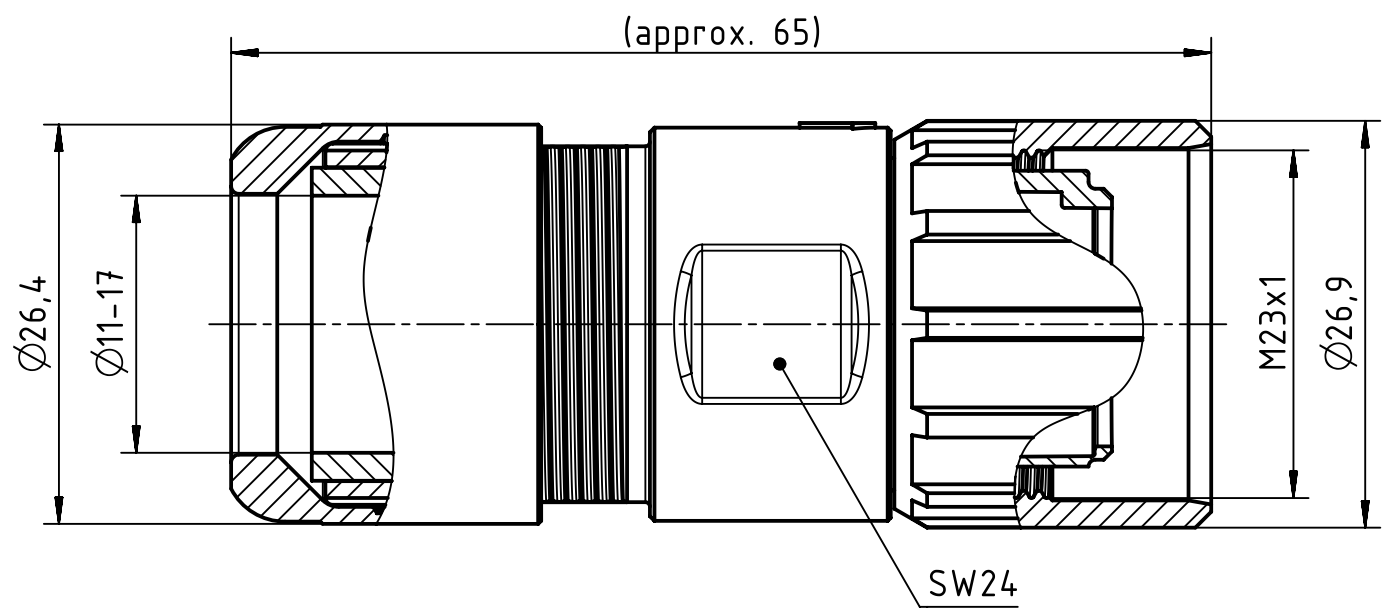


1 2 3 4 5 6



| | | | | | | |
|--------------------------------|---|--|-----------------------|----------------------------|--------------------|---|
| | All rights reserved Department EL PD - DE HARTING Electric GmbH & Co. KG D-32339 Espelkamp | All Dimensions in mm Original Size DIN A4 | | Scale 2:1 | Free size tol. | Ref. |
| | | Created by KLASSEN P | Inspected by RIEPE | Standardisation RUETERA | Date 2017-02-03 | State Final Release |
| Title Han M23 Hood 11-17 mm | | | | | | Doc-Key / ECM-Nr. 100708331/UGD/000/A 500000114.713 |
| Type TB | | | | Number 09 15 100 0403 | | Rev. A |
| | | | | | | Page 1/1 |

Mouser Electronics

Authorized Distributor

Click to View Pricing, Inventory, Delivery & Lifecycle Information:

[HARTING:](#)

[09151000403](#)