

PLEASE CHECK WWW.MOLEX.COM FOR LATEST PART INFORMATION

Part Number: [0685610015](#)
Status: **Active**
Overview: serial_ata_products
Description: 1.27mm (.050") Pitch, Serial ATA Straight Latching-to-Straight Latching Signal Cable Assembly, 1.0m (3.28') Length, Red, Leadfree

Documents:

[Drawing \(PDF\)](#) [RoHS Certificate of Compliance \(PDF\)](#)

General

Product Family	Cable Assemblies
Series	68561
Comments	Generation 2 (300MB/s)
Connector to Connector	Serial ATA-to-Serial ATA
Overview	serial_ata_products
Product Name	Serial ATA

Physical

Cable Length	1.0m (3.28')
Circuits (Loaded)	7
Color - Resin	Black, Natural
Gender	Female-Female
Lock to Mating Part	Yes
Material - Metal	Stainless Steel
Material - Resin	Low Density Polyethylene, Polyester
Packaging Type	Bag
Pitch - Mating Interface (in)	0.050 In
Pitch - Mating Interface (mm)	1.27 mm
Single Ended	No
Termination Interface: Style	Surface Mount
Wire Insulation Diameter	N/A
Wire Size AWG	26
Wire/Cable Type	PVC

Electrical

Current - Maximum per Contact	1.5A
Impedance	100 ohms
Shielded	Yes
Voltage - Maximum	40V

Material Info

Reference - Drawing Numbers

Sales Drawing SD-68561-001, SD-68561-0015

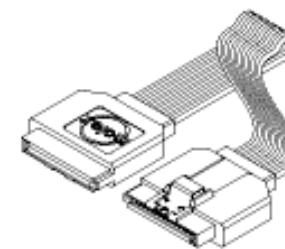


image - Reference only

Series

EU RoHS

ELV and RoHS Compliant

REACH SVHC

Not Reviewed

Halogen-Free

Status

Not Reviewed

China RoHS



Need more information on product environmental compliance?

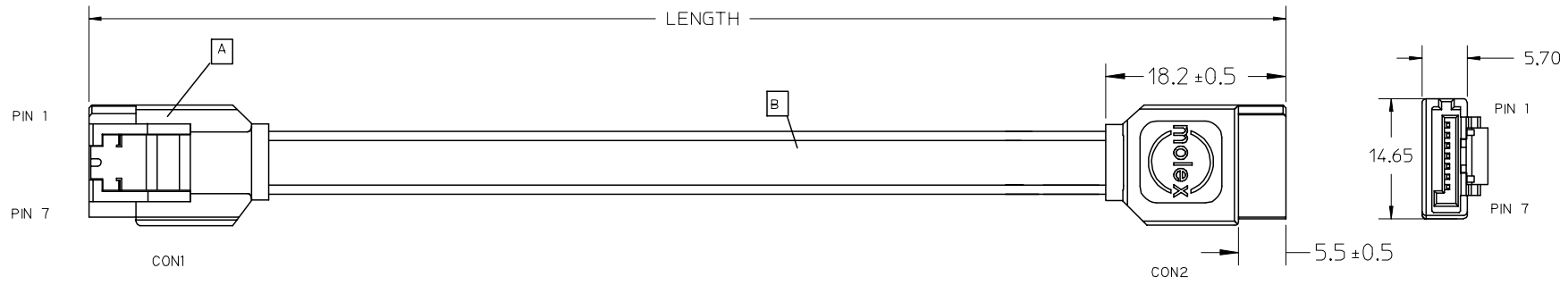
Email productcompliance@molex.com
 For a multiple part number RoHS Certificate of Compliance, [click here](#)

Please visit the [Contact Us](#) section for any non-product compliance questions.

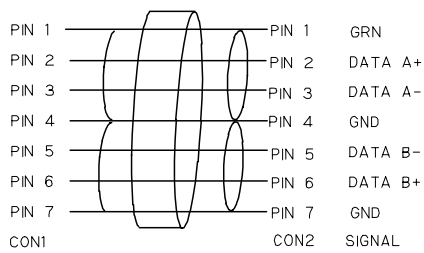
Search Parts in this Series

[68561Series](#)

7 6 5 4 3 2 1



WIRE CHART



- NOTE:
1. OUTER MOLD WITH BLACK PVC RESIN 887800042.
 2. DIELECTRONIC STRENGTH:500V/0.01S DC
 3. INSULATION RESISTANCE:100M OHMS MIN.
 4. CONDUCTIVE RESISTOR: 2 OHMS

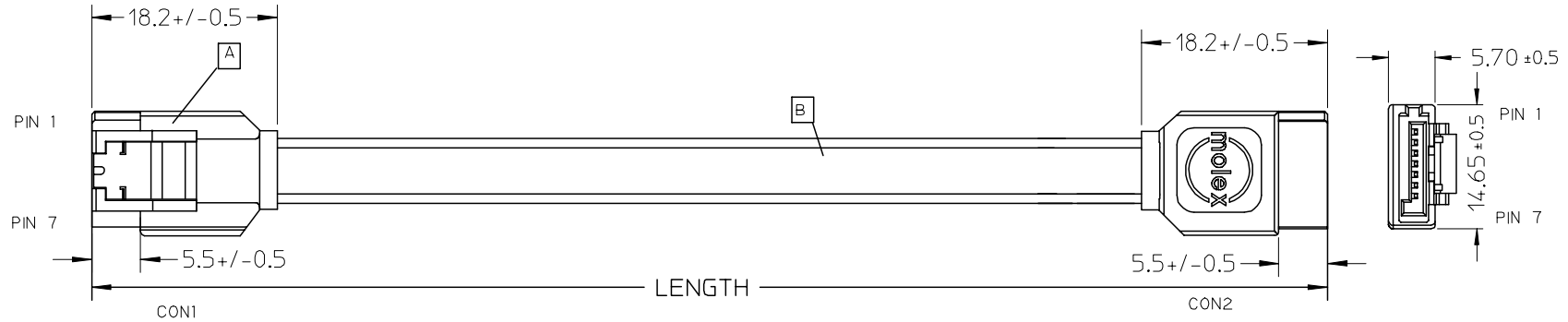
68561-0015	1000+/-20	40.0+/-0.8	S-ATA LATCHING ST TO ST CABLE,1.0M. RED
68561-0014	500+/-10	20.0+/-0.4	S-ATA LATCHING ST TO ST CABLE,0.5M. RED
MOLEX P/N	LENGTH (mm)	LENGTH (inch)	DESCRIPTION

B	S-ATA DATA CABLE RED 887808052	N/A	
A	S-ATA STRAIGHT RECEPTACLE WITH LATCH (Au 30u) 674899002		2
ITEM	DESCRIPTION	L(MM)	QTY.

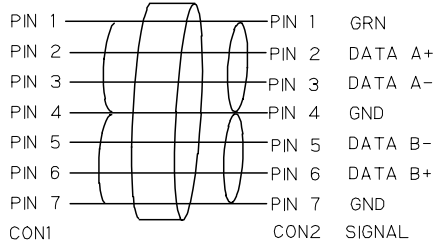
ENTER DESCRIPTION EC NO: DG2005-0009 DRWN:GX YANG 2004/08/11 CHKD: 2004/08/18 APPR:BOCHEN 2004/08/18 REV	QUALITY SYMBOLS ▽=0 ◻=0	GENERAL TOLERANCES (UNLESS SPECIFIED) <table border="1"> <tr> <td></td> <td>mm</td> <td>INCH</td> </tr> <tr> <td>4 PLACES</td> <td>±---</td> <td>±---</td> </tr> <tr> <td>3 PLACES</td> <td>±---</td> <td>±---</td> </tr> <tr> <td>2 PLACES</td> <td>±---</td> <td>±---</td> </tr> <tr> <td>1 PLACE</td> <td>±---</td> <td>±---</td> </tr> <tr> <td colspan="3">ANGULAR ±---°</td> </tr> </table>		mm	INCH	4 PLACES	±---	±---	3 PLACES	±---	±---	2 PLACES	±---	±---	1 PLACE	±---	±---	ANGULAR ±---°			DIMENSION STYLE MM ONLY DRAWN BY: GX YANG DATE: 04/08/10 CHECKED BY: TEDDY DATE: 04/08/10 APPROVED BY: BORON DATE: 04/08/10 MATERIAL NO.: 685610014/5	SCALE: --- DESIGN UNITS: METRIC THIRD ANGLE PROJECTION	TITLE: S-ATA ST LATCHING TO ST LATCHING SIGNAL CBL RED,0.5M,1.0M MOLEX INCORPORATED DOCUMENT NO.: SD-68561-001 SHEET NO.: 1 OF 1
		mm	INCH																				
	4 PLACES	±---	±---																				
	3 PLACES	±---	±---																				
2 PLACES	±---	±---																					
1 PLACE	±---	±---																					
ANGULAR ±---°																							
DRAFT WHERE APPLICABLE MUST REMAIN WITHIN DIMENSIONS		SIZE: A/4 THIS DRAWING CONTAINS INFORMATION THAT IS PROPRIETARY TO MOLEX INCORPORATED AND SHOULD NOT BE USED WITHOUT WRITTEN PERMISSION																					

6 5 4 3 2 1

7 6 5 4 3 2 1



WIRE CHART



NOTE:
 1. OUTER MOLD WITH BLACK PVC RESIN 887800042.
 INNER MOLD WITH PE RESIN 887800008:
 ELECTRICAL PERFORMANCE:
 2. DIELECTRONIC STRENGTH:500V/0.01S DC.
 3. INSULATION RESISTANCE:100M OHMS MIN.
 4. CONDUCTIVE RESISTOR: 2 OHMS.

68561-0015	1000+/-20	40.0+/-0.8	S-ATA LATCHING ST TO ST CABLE,1.0M, RED
68561-0014	500+/-10	20.0+/-0.4	S-ATA LATCHING ST TO ST CABLE,0.5M, RED
MOLEX P/N	LENGTH (mm)	LENGTH (inch)	DESCRIPTION

B	S-ATA DATA CABLE RED 887808052	
A	S-ATA STRAIGHT RECEPTACLE WITH LATCH (Au 30u) 674899002	2
ITEM	DESCRIPTION	QTY.

ENTER DESCRIPTION EC NO: DG2005-0125 DRWN: JLIU13 CHKD: TEDDY APPR: TKAN	2005/04/04 2005/04/04 2005/04/04	QUALITY SYMBOLS ▽=0 □=0	GENERAL TOLERANCES (UNLESS SPECIFIED)		DIMENSION STYLE	SCALE	DESIGN UNITS	THIRD ANGLE PROJECTION
					MM ONLY	---	METRIC	
			4 PLACES	± ---	± ---	DRAWN BY	DATE	
			3 PLACES	± ---	± ---	JLIU13	2005/04/04	S-ATA ST TO ST WITH LATCH RED CABLE ASSY
2 PLACES	± ---	± ---	CHECKED BY	DATE				
1 PLACE	± ---	± ---	TEDDY	2005/04/04				
ANGULAR ± ---°			APPROVED BY	DATE				
DRAFT WHERE APPLICABLE MUST REMAIN WITHIN DIMENSIONS			BORON	2005/04/04				
			MATERIAL NO.	DOCUMENT NO.	SHEET NO.			
			685610015	SD-68561-0015	1 OF 1			
			SIZE	THIS DRAWING CONTAINS INFORMATION THAT IS PROPRIETARY TO MOLEX INCORPORATED AND SHOULD NOT BE USED WITHOUT WRITTEN PERMISSION				
			A/4					

6 5 4 3 2 1