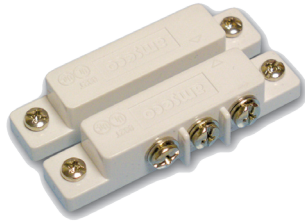


AMS-38 MECHANICAL SURFACE MOUNT CONTACT

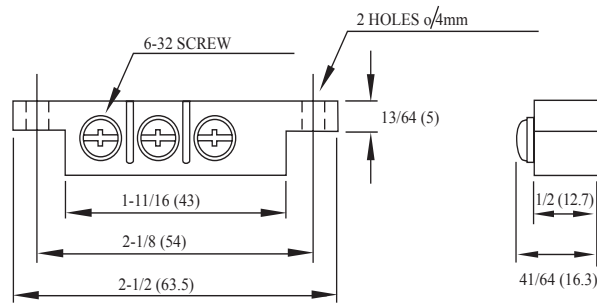


- UL and ULC Listed
- AC rated
- 5/8" operating gap
- Alnico 5 magnet
- Available in white, brown, gray, or ivory

Application

The AMS-38 Mechanical Surface Mount Contact is a UL listed and AC rated contact designed to endure higher voltages than other standard reed contact switches. The AMS-38 can be used to protect openings or to activate other applications such as lighting, sounders, or any other secondary function.

Dimensions



Specifications

Model	Color	Stock Number	Contact	Electrical Rating	Contact Type	Operating Gap	Mounting Method
AMS-38	White	4370017	Terminal	300V Max. 3 Amp Max.	Form C N.O./N.C.	5/8"	Screw
	Brown	4370013					
	Gray	4370015					
	Ivory	4370003					