

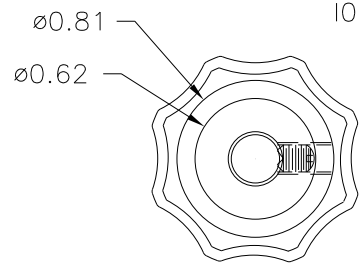
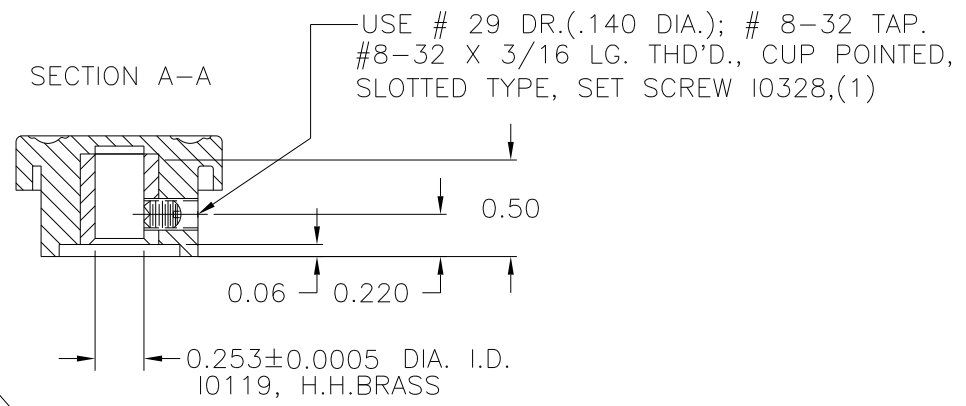
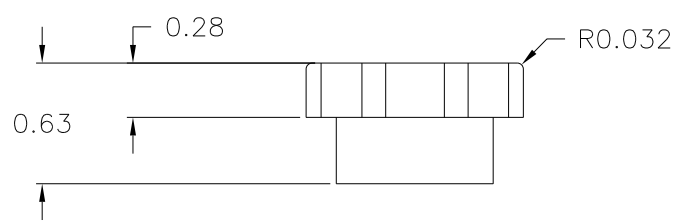
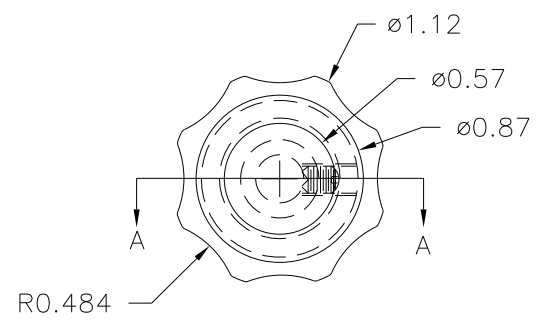
PART NAME: KNOB      SCALE: 1:1      DATE: 12/15/43      DR. BY DWT

THIS DRAWING IS THE PROPERTY OF DAVIES MOLDING COMPANY, IS SUBMITTED SOLELY AS A DESIGN OR ENGINEERING PROJECT. WE ACCEPT NO RESPONSIBILITY WHATSOEVER FOR THE PRACTICAL APPLICATION OF THE PIECES MADE TO THIS DESIGN.



DESIGNERS & MANUFACTURERS OF KNOBS, HANDLES, CASES & CUSTOM PLASTIC COMPONENTS

|           |         |
|-----------|---------|
| P/N       | 4100    |
| BASE PART | 4100-05 |
| SET SCREW | I0328   |



MATERIAL: G.P. PHENOLIC (B11)  
COLOR: BLACK

|   |                                  |   |                 |     |         |
|---|----------------------------------|---|-----------------|-----|---------|
| TOLERANCES:<br>UNLESS OTHERWISE SPECIFIED | DO NOT SCALE<br>DRAWING          | - | UPDATED TOOLBOX | JAM | 2/3/03  |
| DECIMALS: X.XXX ± .005<br>X.XX ± .015     | MM: X.XX ± 0.15MM<br>X.X ± 0.4MM | - | UPDATED DWG.    | HD  | 6/17/97 |
| FRACTIONS ± 1/64                          | ANG. ± 1°                        | - | CAD/REDRAWN     | HD  | 2/23/93 |
| CHANGES                                   |                                  |   |                 |     |         |