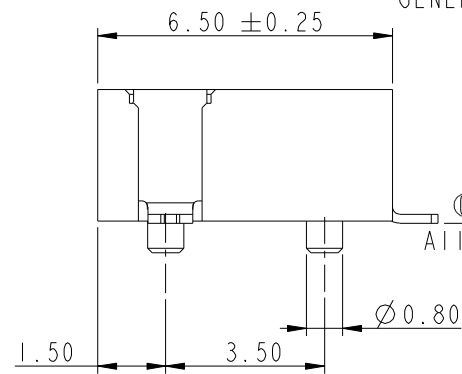
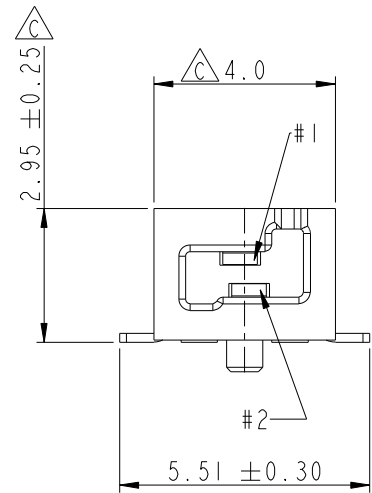
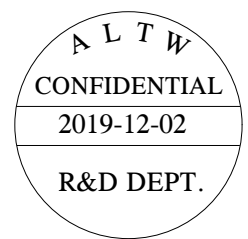
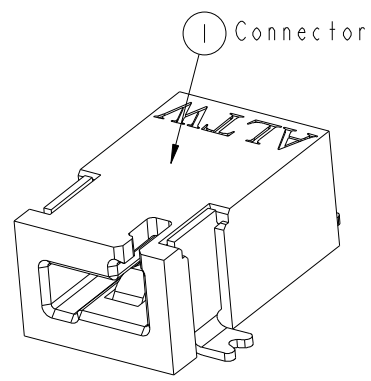
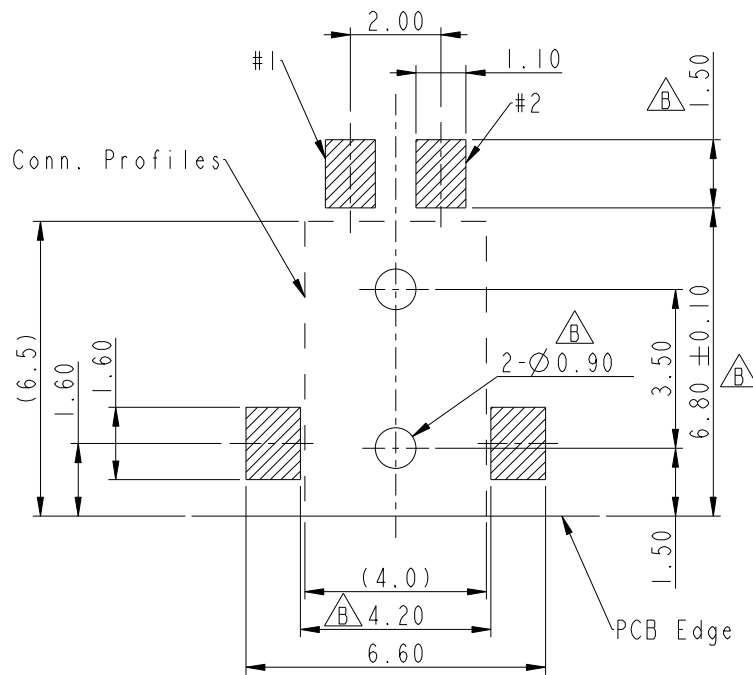
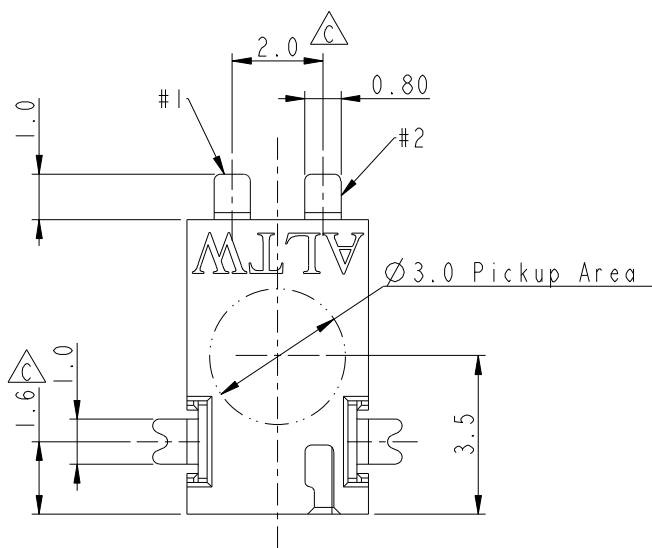


THIS DOCUMENT IS SUBJECT TO CHANGE WITHOUT NOTICE. IT IS CONFIDENTIAL AND A PROPERTY OF Amphenol LTW. DISCLOSURE TO THIRD PARTY HAS TO BE AUTHORIZED BY Amphenol LTW.

REV.	ECN NO.	DATE	SIGN	DESCRIPTION
C	LE313C0104	2013-12-16	Fisher	Change Plating and Dimensions
D	CI91496	2019-08-29	NianPing Yu	Add UL Label
E	CI92063	2019-12-02	NianPing Yu	FXI



RECOMMENDED P.C.B. LAYOUT  
GENERAL TOLERANCE IS ±0.05

- Notes:
- \* Important Dimension To Check.
  - \* Housing: High temperature thermoplastic. UL94V-0, color is Natural white.
  - \* Terminal: Copper Alloy, Gold Plated on contact area. Tin plated on solder tails.
  - \* Solder Peg: Copper Alloy, Tin plated over Nickel.

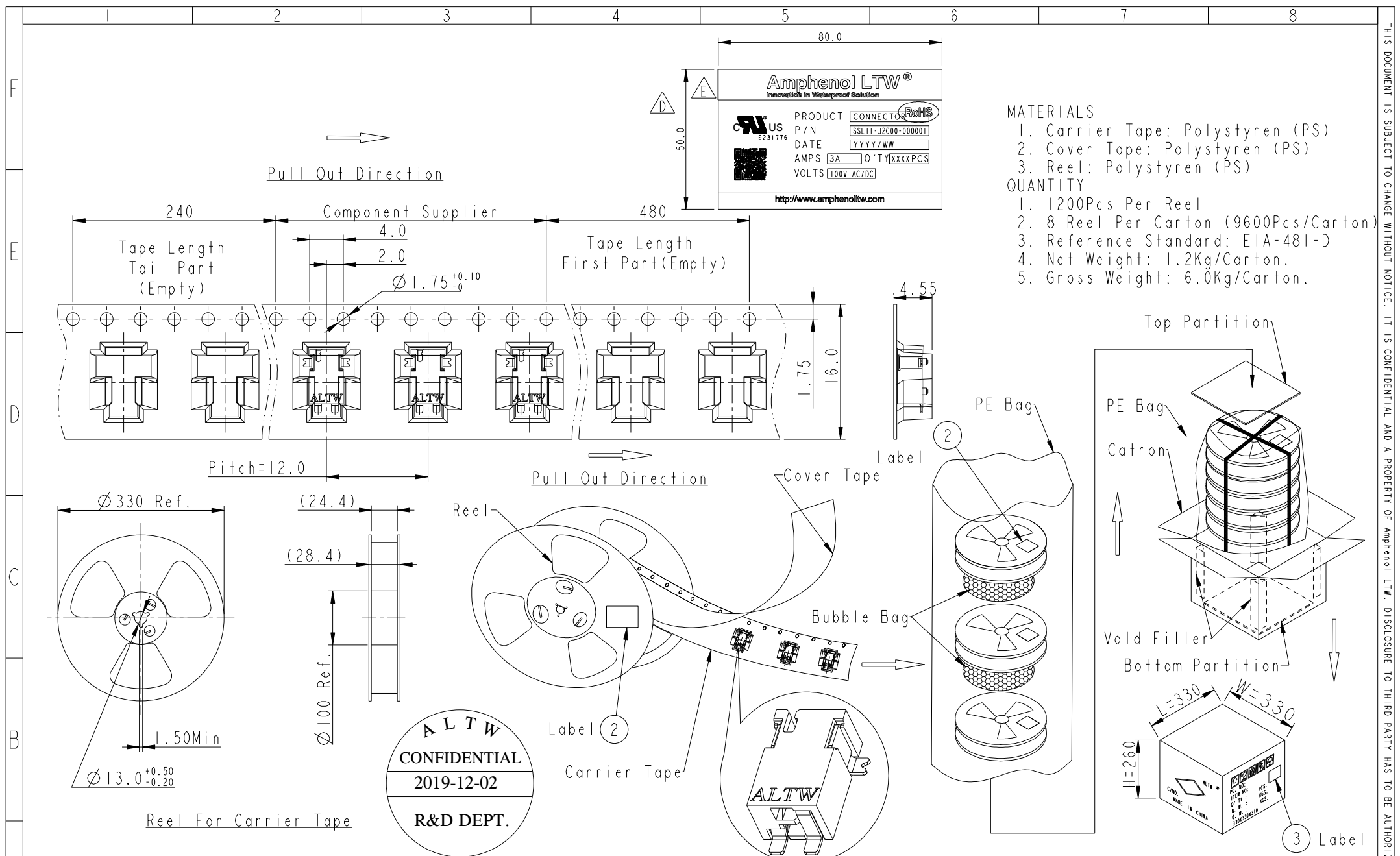
UNIT: mm		
TOLERANCE	.X	±0.25
	.XX	±0.1
	.XXX	±0.05
ANGLES		±1°

TITLE SSL-1.1 DC JACK CONNECTOR 2-POS. WITH POST, SMT TYPE			
SCALE	SIZE	SHEET	OF
6:1	A4	1	2
REV.	WC-REV.	Inspection item	
E	A.2		

**Amphenol LTW**  
安費諾亮泰企業股份有限公司

ITEM NO	DRAWN BY	DATE
SSL11-J2C00-000001	NianPing Yu	2019-08-29
DWG NO	CHECKED BY	DATE
SSL11-J2C00-000001	Fisher Wang	2019-08-29
CUSTOMER	APPROVED BY	DATE
ALTW	Max Yang	2019-08-29

THIS DOCUMENT IS SUBJECT TO CHANGE WITHOUT NOTICE. IT IS CONFIDENTIAL AND A PROPERTY OF Amphenol LTW. DISCLOSURE TO THIRD PARTY HAS TO BE AUTHORIZED BY Amphenol LTW.



- MATERIALS**
1. Carrier Tape: Polystyren (PS)
  2. Cover Tape: Polystyren (PS)
  3. Reel: Polystyren (PS)
- QUANTITY**
1. 1200Pcs Per Reel
  2. 8 Reel Per Carton (9600Pcs/Carton)
  3. Reference Standard: EIA-481-D
  4. Net Weight: 1.2Kg/Carton.
  5. Gross Weight: 6.0Kg/Carton.

**ALTW**  
**CONFIDENTIAL**  
 2019-12-02  
**R&D DEPT.**

<b>UNIT:mm</b> TOLERANCE .X ±0.25 .XX ±0.1 .XXX ±0.05 ANGLES ±1°	<b>TITLE</b> SSL-1.1 DC JACK CONNECTOR 2-POS. WITH POST, SMT TYPE	
	<b>SCALE</b> 5:1	<b>SIZE</b> A4
	<b>REV.</b> E	<b>SHEET</b> 2 OF 2

**Amphenol LTW**  
**安費諾亮泰企業股份有限公司**

<b>ITEM NO</b> SSL11-J2C00-000001	<b>DRAWN BY</b> NianPing Yu	<b>DATE</b> 2019-08-29
<b>DWG NO</b> SSL11-J2C00-000001	<b>CHECKED BY</b> Fisher Wang	<b>DATE</b> 2019-08-29
<b>CUSTOMER</b> ALTW	<b>APPROVED BY</b> Max Yang	<b>DATE</b> 2019-08-29