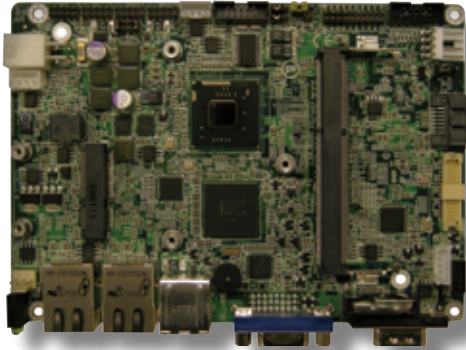


# EmCORE-i2501

## 3.5" Intel® Atom™ N2600/ D2550 Compact Board



### Features

- Soldered Onboard Intel® Atom™ N2600 or D2550 Processor
- Single Channel 18/24-bit LVDS and DVI-I Port Support
- Support RS-485 Auto-flow Control
- **Extended Operating Temp.:-20 ~ 70°C**

### System

<b>CPU</b>	Soldered onboard Intel® Atom™ N2600 at 1.6GHz or D2550 at 1.86GHz processor
<b>Memory</b>	1 x 204-pin DDR3 SO-DIMM socket, supporting 1066MHz SDRAM up to 4GB (D2550)/ 2GB (N2600)
<b>Chipset</b>	Intel® PCH NM10
<b>BIOS</b>	AMI UEFI BIOS
<b>Watchdog Timer</b>	1~255 levels reset

### I/O

<b>Super IO Chipset</b>	Fintek F81866D
<b>Serial Port</b>	2 x COM ports (1 x RS-232 port, 1 x RS-232/422/485 port selectable)
<b>USB Port</b>	6 x USB 2.0 ports
<b>Digital I/O</b>	8-bit programmable Digital Input/Output
<b>Expansion Bus</b>	1 x Mini-card socket
<b>Storage</b>	1 x Serial ATA port with 300MB/s HDD transfer rate 1 x CFast socket or soldered onboard 8GB NANDrive (alternatively)
<b>Ethernet Chipset</b>	2 x Intel® 82583V PCIe GbE controllers
<b>Audio Interface</b>	Realtek ALC662 5.1 Channel HD Audio CODEC, Mic-in/ Line-in/ Line-out

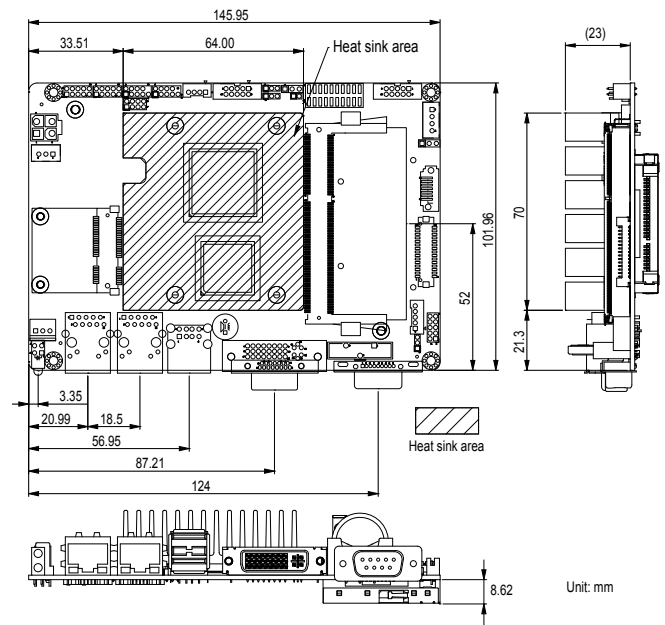
### Display

<b>Graphics Chipset</b>	Integrated Intel® Graphics Media Accelerator 3650/ 3600
<b>Graphics Interface</b>	Analog RGB supports resolution up to 1920x1200@60Hz DVI-I: supports Analog RGB up to 1920 x 1200 @60Hz or DVI up to 1920 x 1200 @60Hz
	Single Channel: - 18-bit LVDS for EmCORE-i2501-N26 - 24-bit LVDS for EmCORE-i2501-D25
	Support Dual Independent Displays

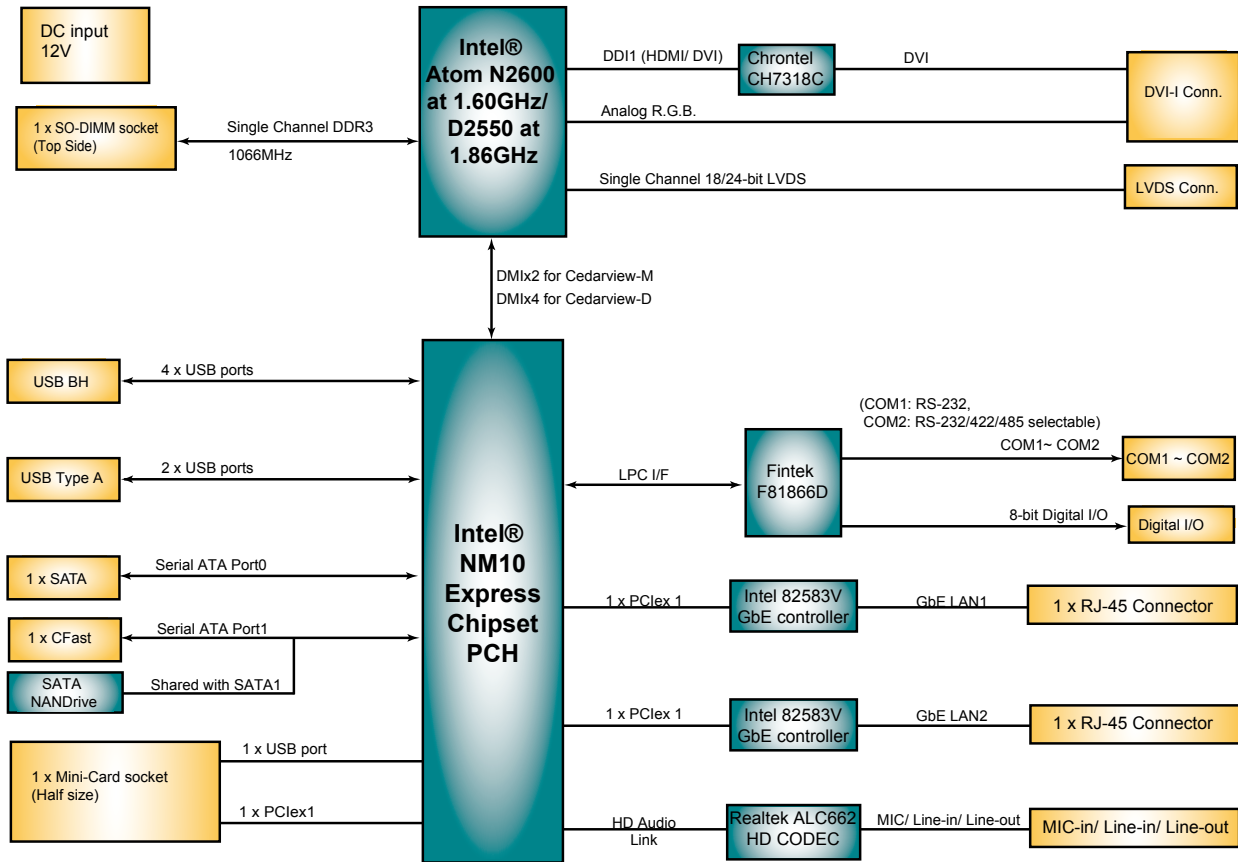
### Mechanical & Environmental

<b>Power Requirement</b>	+12V DC
<b>Power Consumption</b>	1.26A@+12V w/ N2600 (Typical) 1.42A@+12V w/ D2550 (Typical)
<b>Operating Temp.</b>	-20 ~ 70°C (-4 ~ 158°F)
<b>Operating Humidity</b>	10 ~ 95% @ 70°C (non-condensing)
<b>Dimensions (L x W)</b>	146 x 102 mm (5.7" x 4.0")

### Dimensions



## Block Diagram



## Ordering Information

<b>EmCORE-i2501-N26</b>	Intel® Atom™ N2600 3.5" Compact Board with CFast socket
<b>EmCORE-i2501D-N26 (BTO)</b>	Intel® Atom™ N2600 3.5" Compact Board with 8GB NANDrive
<b>EmCORE-i2501-D25</b>	Intel® Atom™ D2550 3.5" Compact Board with CFast socket
<b>EmCORE-i2501D-D25 (BTO)</b>	Intel® Atom™ D2550 3.5" Compact Board with 8GB NANDrive

## Optional Accessories

<b>CBK-06-2501-00</b>	Cable Kit
	• 1 x COM port cable
	• 1 x audio cable
	• 2 x USB cables
	• 1 x SATA cable
	• 1 x SATA power cable