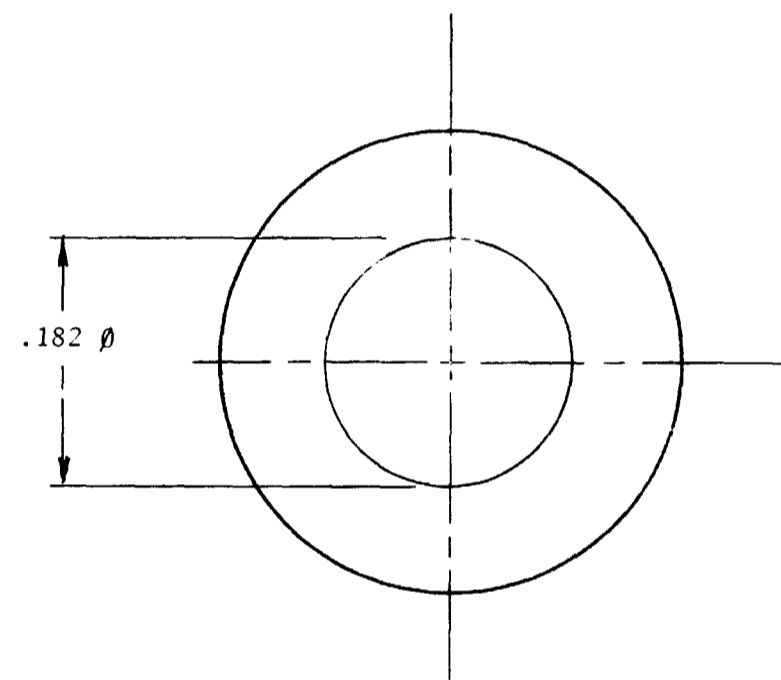
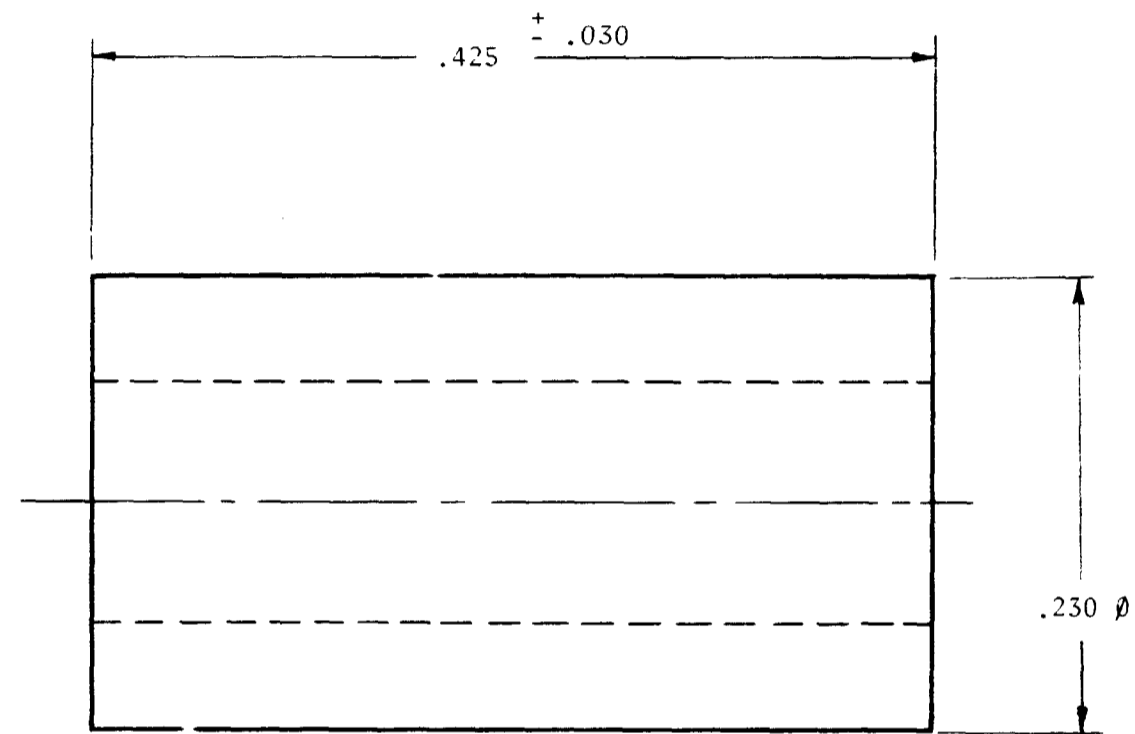


N/C 0421-203-04141

REVISIONS

SYM	DESCRIPTION	DATE	APPROVED
N/C	NEW RELEASE PER E.O. A 3518.	6/10/85	



NOTE:

1. DIMENSIONS ARE IN INCHES UNLESS OTHERWISE SPECIFIED.
2. SLEEVE REDUCES CRIMP BARREL TO ACCEPT SIZE 10 OR 8 AWG WIRE.
3. CRIMP SLEEVE REDUCER CAN BE USED WITH HD30 AND HD50 SERIES SIZE 4 PIN OR SOCKET CONTACTS.
4. MATERIAL: COPPER ALLOY, NICKEL PLATED PER QQ-N-290.

SIGNATURE & DATE		REDUCER CRIMP SLEEVE ENVELOPE.	CP	MATL CODE
DR	J. HOFFMAN 6/7/85.		The Deutsch Company DEUTSCH I.P.O. 37140 INDUSTRIAL AVE HEMET, CALIF 92343	
CHK			B	0421-203-04141
PE	<i>J. Hoffman 6/10/85</i>			CODE 11139
APPD			DWG SIZE	
SCALE	NONE	WT		