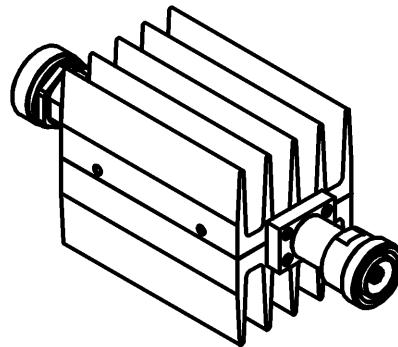
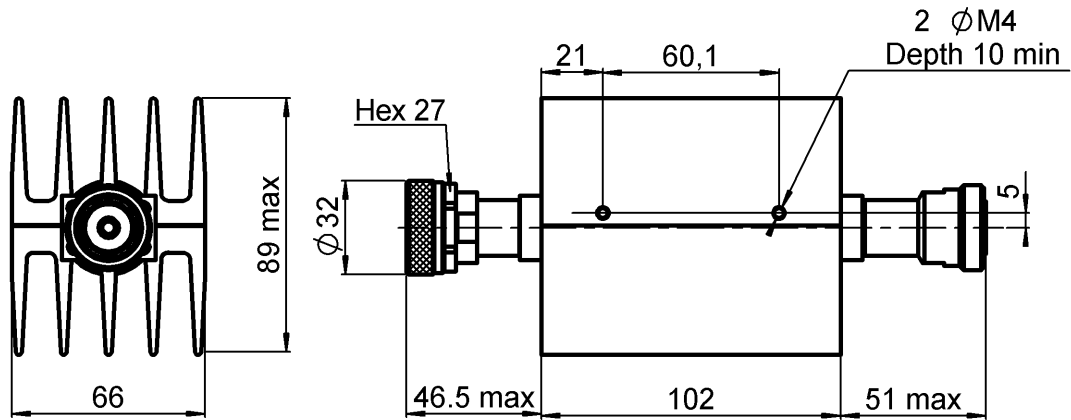


7-16 ATTENUATOR

10 DB 3 GHZ 100W

R420.710.110

Series :
ATTENUATOR



dimensions are in mm.



Weight 857,900 g
0

Specification

Issue : 0704 A

In the effort to improve our products, we reserve the right to make changes judged to be necessary.

