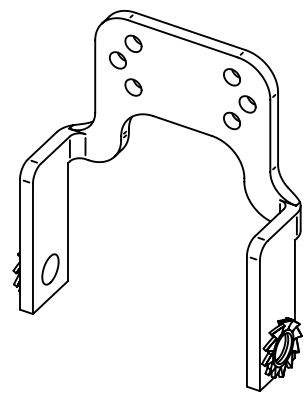
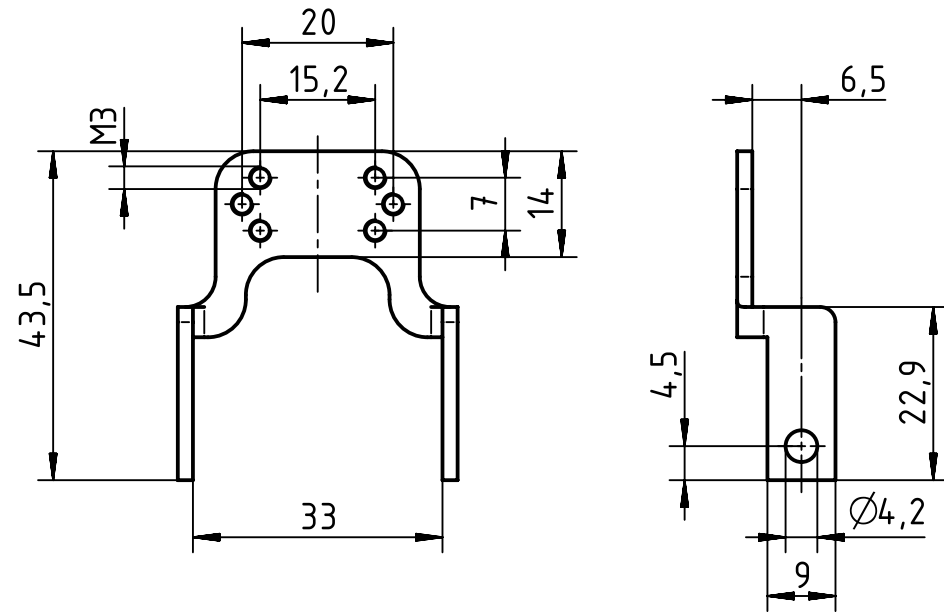


A

B

C

D




fits for Han 6E, 10EE and 24DD inserts  
for combination with Han 6B housings and hoods, high construction

range of delivery: lever with M4 screws and washer to mount on the insert

material: steel, zinc-plated

pinhole image for cable clamp TB 09 00 0005341 and TB 09 00 000 5342

	All Dimensions in mm Original Size DIN A4	Scale	Free size tol.			Ref.
		1:1				Sub.
All rights reserved Department EL PD	HARTING Electric GmbH & Co. KG D-32339 Espelkamp	Created by	Inspected by	Standardisation	Date	State
		RULLKOETTER	BERGHORN	TIEMANNA	2014-12-01	Final Release
Title					Doc-Key / ECM-Nr.	
Schirmbügel Han 6B					100132391/UGD/003/A 500000082497	
Type	Number	Rev.			Page	
TB	09 00 000 5206	A			1/1	

# Mouser Electronics

Authorized Distributor

Click to View Pricing, Inventory, Delivery & Lifecycle Information:

[HARTING:](#)

[09000005206](#)