

# PRODUCT DATA DRAWING

REVISION HISTORY			
REV	DESCRIPTION	DATE	APPROVED
-	REL. DCN 32957	04/05	STW

## MATERIAL

BODY,  
HEX NUT &  
LOCKWASHER:

STAINLESS STEEL PER AMS-5640,  
ALLOY UNS S30300, TYPE I

CONTACT:

BERYLLIUM COPPER PER ASTM B196,  
ALLOY UNS C17300, TD04

INSULATOR:

PTFE PER ASTM D1710, TYPE I, GRADE 1, CLASS B

O'RING:

FLUOROSILICONE 60(DUROMETER)  
PER MIL-P-25988, CLASS 1, TYPE I

## FINISH

BODY,  
HEX NUT &  
LOCKWAHSEK:

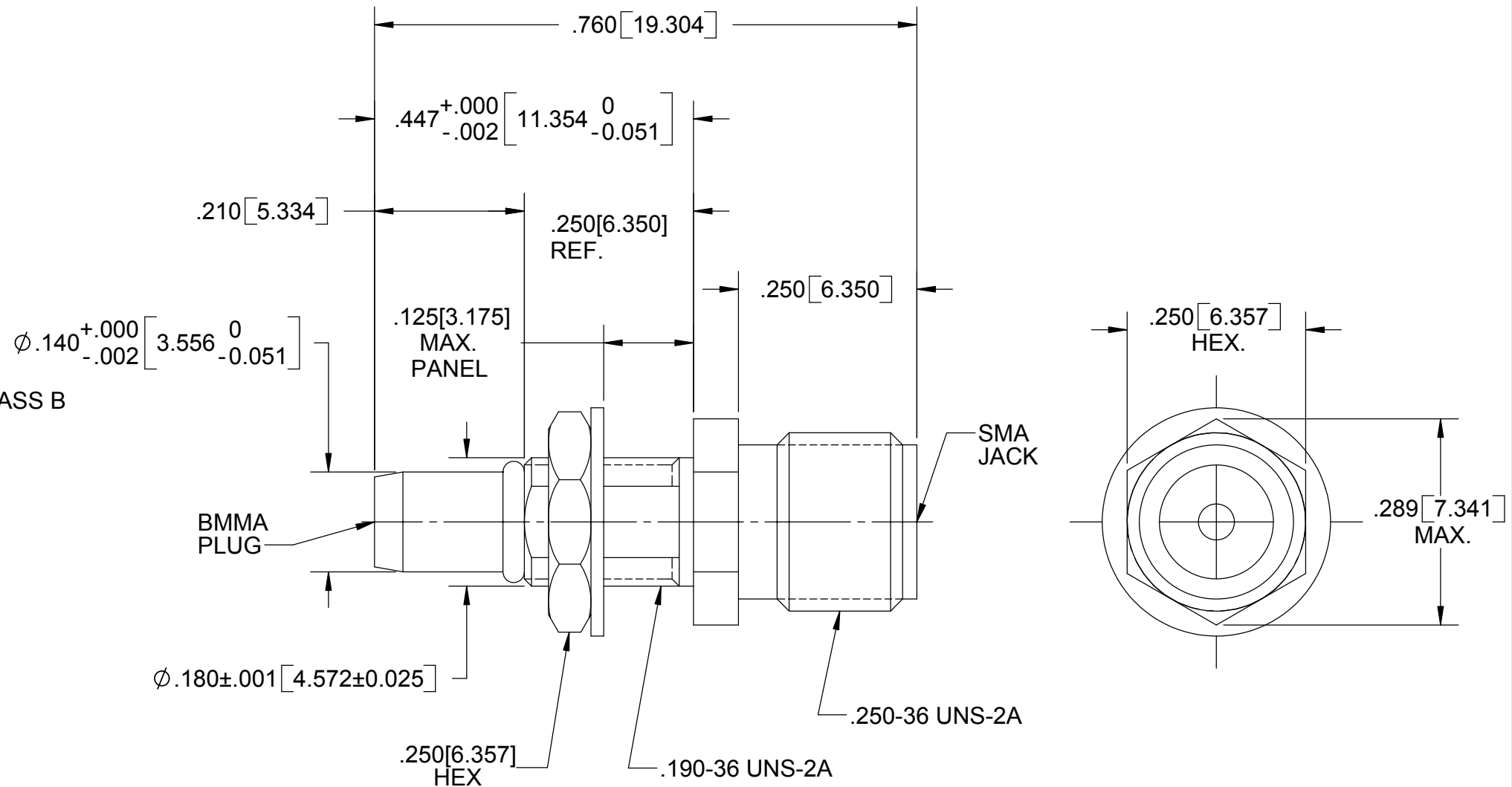
PASSIVATED PER AMS-QQ-P-35, TYPE II

CONTACT:

GOLD PER ASTM B 488, TYPE II,  
CODE C, CLASS .76; OVER NICKEL  
PER AMS-QQ-N-290, CLASS 1, .000050" MIN.

## PERFORMANCE

IMPEDANCE: 50 OHMS  
 FREQ. RANGE: DC TO 18.0 GHz  
 VSWR: 1.05+.01f(GHz) DC TO 18.0 GHz  
 OPERATING TEMP.: -65°C TO +125°C  
 ENGAGEMENT: 3 IN-LBS  
 DISENGAGEMENT: 1.5 IN-LBS.  
 D.W.V.: 675 VRMS  
 INS. RES.: 5000 MEGOHMS



$\phi .182^{+.002}_{-.000}$  [4.623<sup>+0.051</sup><sub>0</sub>]  
RECOMMENDED  
MOUNTING HOLE

MATERIAL: SEE NOTES	DIMENSIONS ARE IN INCHES TOLERANCES: FRACTIONAL: $\pm 1/64$ ANGULAR: X° $\pm 1'0''$ X'X' $\pm 15'$	UNLESS OTHERWISE SPECIFIED 1) ALL DIMENSIONS ARE IN INCHES[MILLIMETERS] 2) ALL DIMENSIONS ARE AFTER PLATING. 3) BREAK CORNERS & EDGES .005 R. MAX. 4) CHAM. 1ST & LAST THREADS. 5) SURFACE ROUGHNESS 63 - MIL-STD-10. 6) DIA.'S ON COMMON CENTERS TO BE CONCENTRIC WITHIN T.I.R. 7) REMOVE ALL BURRS	<b>SV Microwave, Inc.</b> 2400 Centrepark West Drive, Suite 100 West Palm Beach, FL 33409
FINISH: SEE NOTES	DECIMAL: .X $\pm .030$ .XX $\pm .010$ .XXX $\pm .005$	INTERPRET DIMENSIONS AND TOLERANCES PER ASME Y14.5M - 1994	TITLE: <b>BMMA PLUG TO SMA JACK ADAPTER</b>
SURFACE AREA: N/A	THIRD ANGLE PROJECTION	DRAWN: MGT 04/18/05	SIZE: <b>B</b> CAGE CODE: <b>95077</b> DWG. NO.: <b>SF1114-6008</b>
<b>PROPRIETARY</b> THE INFORMATION CONTAINED IN THIS DRAWING IS THE SOLE PROPERTY OF SV MICROWAVE, INC. ANY REPRODUCTION IN PART OR AS A WHOLE WITHOUT THE WRITTEN PERMISSION OF SV MICROWAVE, INC IS PROHIBITED.		CHECKED: STW 04/18/05	SCALE: 5:1
		APPROVED: STW 04/18/05	SHEET 1 OF 1