

## Important notice

Dear Customer,

On 7 February 2017 the former NXP Standard Product business became a new company with the tradename **Nexperia**. Nexperia is an industry leading supplier of Discrete, Logic and PowerMOS semiconductors with its focus on the automotive, industrial, computing, consumer and wearable application markets

In data sheets and application notes which still contain NXP or Philips Semiconductors references, use the references to Nexperia, as shown below.

Instead of <http://www.nxp.com>, <http://www.philips.com/> or <http://www.semiconductors.philips.com/>, use <http://www.nexperia.com>

Instead of [sales.addresses@www.nxp.com](mailto:sales.addresses@www.nxp.com) or [sales.addresses@www.semiconductors.philips.com](mailto:sales.addresses@www.semiconductors.philips.com), use [salesaddresses@nexperia.com](mailto:salesaddresses@nexperia.com) (email)

Replace the copyright notice at the bottom of each page or elsewhere in the document, depending on the version, as shown below:

- © NXP N.V. (year). All rights reserved or © Koninklijke Philips Electronics N.V. (year). All rights reserved

Should be replaced with:

- © **Nexperia B.V. (year). All rights reserved.**

If you have any questions related to the data sheet, please contact our nearest sales office via e-mail or telephone (details via [salesaddresses@nexperia.com](mailto:salesaddresses@nexperia.com)). Thank you for your cooperation and understanding,

Kind regards,

Team Nexperia

# PMP4501V; PMP4501G; PMP4501Y

NPN/NPN matched double transistors

Rev. 04 — 28 August 2009

Product data sheet

## 1. Product profile

### 1.1 General description

NPN/NPN matched double transistors in small Surface-Mounted Device (SMD) plastic packages. The transistors in the SOT666 and SOT363 (SC-88) packages are fully isolated internally.

Table 1. Product overview

| Type number | Package |        | NPN/NPN $h_{FE1}/h_{FE2}$<br>0.98 complement | PNP/PNP<br>complement |
|-------------|---------|--------|--|-----------------------|
|             | NXP     | JEITA  |  |                       |
| PMP4501V    | SOT666  | -      | PMP4201V                                     | PMP5501V              |
| PMP4501G    | SOT353  | SC-88A | PMP4201G                                     | PMP5501G              |
| PMP4501Y    | SOT363  | SC-88  | PMP4201Y                                     | PMP5501Y              |

### 1.2 Features

- Current gain matching
- Base-emitter voltage matching
- Common emitter configuration for SOT353 types
- Application-optimized pinout

### 1.3 Applications

- Current mirror
- Differential amplifier

### 1.4 Quick reference data

Table 2. Quick reference data

| Symbol                | Parameter                 | Conditions                                    | Min | Typ | Max | Unit |
|-----------------------|---------------------------|---|-----|-----|-----|------|
| <b>Per transistor</b> |                           |   |     |     |     |      |
| $V_{CEO}$             | collector-emitter voltage | open base                                     | -   | -   | 45  | V    |
| $I_C$                 | collector current         |   | -   | -   | 100 | mA   |
| $h_{FE}$              | DC current gain           | $V_{CE} = 5\text{ V};$<br>$I_C = 2\text{ mA}$ | 200 | 290 | 450 |      |

**Table 2. Quick reference data ...continued**

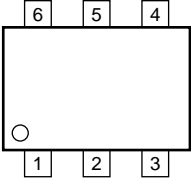
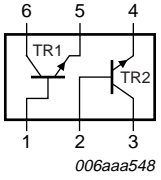
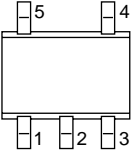
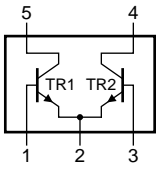
| Symbol            | Parameter         | Conditions                                    | Min      | Typ | Max | Unit |
|-------------------|-------------------|---|----------|-----|-----|------|
| <b>Per device</b> |                   |   |          |     |     |      |
| $h_{FE1}/h_{FE2}$ | $h_{FE}$ matching | $V_{CE} = 5\text{ V};$<br>$I_C = 2\text{ mA}$ | [1] 0.95 | 1   | -   |      |
| $V_{BE1}-V_{BE2}$ | $V_{BE}$ matching | $V_{CE} = 5\text{ V};$<br>$I_C = 2\text{ mA}$ | [2] -    | -   | 2   | mV   |

[1] The smaller of the two values is taken as the numerator.

[2] The smaller of the two values is subtracted from the larger value.

## 2. Pinning information

**Table 3. Pinning**

| Pin                   | Description      | Simplified outline  | Symbol  |
|-----------------------|------------------|---|---|
| <b>SOT666; SOT363</b> |                  |   |   |
| 1                     | base TR1         |   |   |
| 2                     | base TR2         |   |   |
| 3                     | collector TR2    |   |   |
| 4                     | emitter TR2      |   |   |
| 5                     | emitter TR1      |   |   |
| 6                     | collector TR1    |   |   |
| <b>SOT353</b>         |                  |   |   |
| 1                     | base TR1         |  |  |
| 2                     | emitter TR1, TR2 |   |   |
| 3                     | base TR2         |   |   |
| 4                     | collector TR2    |   |   |
| 5                     | collector TR1    |   |   |

## 3. Ordering information

**Table 4. Ordering information**

| Type number | Package |  | Version |
|-------------|---------|--|---------|
|             | Name    | Description                              |         |
| PMP4501V    | -       | plastic surface-mounted package; 6 leads | SOT666  |
| PMP4501G    | SC-88A  | plastic surface-mounted package; 5 leads | SOT353  |
| PMP4501Y    | SC-88   | plastic surface-mounted package; 6 leads | SOT363  |

## 4. Marking

**Table 5. Marking codes**

| Type number | Marking code <sup>[1]</sup> |
|-------------|-----------------------------|
| PMP4501V    | EB                          |
| PMP4501G    | R6*                         |
| PMP4501Y    | S8*                         |

- [1] \* = -: made in Hong Kong  
 \* = p: made in Hong Kong  
 \* = t: made in Malaysia  
 \* = W: made in China

## 5. Limiting values

**Table 6. Limiting values**

*In accordance with the Absolute Maximum Rating System (IEC 60134).*

| Symbol                | Parameter                 | Conditions                       | Min                 | Max  | Unit |
|-----------------------|---------------------------|----------------------------------|---------------------|------|------|
| <b>Per transistor</b> |                           |                                  |                     |      |      |
| $V_{CBO}$             | collector-base voltage    | open emitter                     | -                   | 50   | V    |
| $V_{CEO}$             | collector-emitter voltage | open base                        | -                   | 45   | V    |
| $V_{EBO}$             | emitter-base voltage      | open collector                   | -                   | 6    | V    |
| $I_C$                 | collector current         |                                  | -                   | 100  | mA   |
| $I_{CM}$              | peak collector current    | single pulse;<br>$t_p \leq 1$ ms | -                   | 200  | mA   |
| $P_{tot}$             | total power dissipation   | $T_{amb} \leq 25$ °C             |                     |      |      |
|                       | SOT666                    |                                  | <sup>[1][2]</sup> - | 200  | mW   |
|                       | SOT353                    |                                  | <sup>[1]</sup> -    | 200  | mW   |
|                       | SOT363                    |                                  | <sup>[1]</sup> -    | 200  | mW   |
| <b>Per device</b>     |                           |                                  |                     |      |      |
| $P_{tot}$             | total power dissipation   | $T_{amb} \leq 25$ °C             |                     |      |      |
|                       | SOT666                    |                                  | <sup>[1][2]</sup> - | 300  | mW   |
|                       | SOT353                    |                                  | <sup>[1]</sup> -    | 300  | mW   |
|                       | SOT363                    |                                  | <sup>[1]</sup> -    | 300  | mW   |
| $T_j$                 | junction temperature      |                                  | -                   | 150  | °C   |
| $T_{amb}$             | ambient temperature       |                                  | -65                 | +150 | °C   |
| $T_{stg}$             | storage temperature       |                                  | -65                 | +150 | °C   |

[1] Device mounted on an FR4 Printed-Circuit Board (PCB), single-sided copper, tin-plated and standard footprint.

[2] Reflow soldering is the only recommended soldering method.

## 6. Thermal characteristics

**Table 7. Thermal characteristics**

| Symbol                | Parameter                                   | Conditions  | Min    | Typ | Max | Unit |     |
|-----------------------|---|-------------|--------|-----|-----|------|-----|
| <b>Per transistor</b> |   |             |        |     |     |      |     |
| $R_{th(j-a)}$         | thermal resistance from junction to ambient | in free air |        |     |     |      |     |
|                       | SOT666                                      |             | [1][2] | -   | -   | 625  | K/W |
|                       | SOT353                                      |             | [1]    | -   | -   | 625  | K/W |
| SOT363                |   | [1]         | -      | -   | 625 | K/W  |     |
| <b>Per device</b>     |   |             |        |     |     |      |     |
| $R_{th(j-a)}$         | thermal resistance from junction to ambient | in free air |        |     |     |      |     |
|                       | SOT666                                      |             | [1][2] | -   | -   | 416  | K/W |
|                       | SOT353                                      |             | [1]    | -   | -   | 416  | K/W |
| SOT363                |   | [1]         | -      | -   | 416 | K/W  |     |

[1] Device mounted on an FR4 PCB, single-sided copper, tin-plated and standard footprint.

[2] Reflow soldering is the only recommended soldering method.

## 7. Characteristics

**Table 8. Characteristics**

$T_{amb} = 25\text{ }^{\circ}\text{C}$  unless otherwise specified

| Symbol                | Parameter                            | Conditions  | Min | Typ | Max | Unit          |
|-----------------------|--------------------------------------|---|-----|-----|-----|---------------|
| <b>Per transistor</b> |                                      |   |     |     |     |               |
| $I_{CBO}$             | collector-base cut-off current       | $V_{CB} = 30\text{ V};$<br>$I_E = 0\text{ A}$   | -   | -   | 15  | nA            |
|                       |                                      | $V_{CB} = 30\text{ V};$<br>$I_E = 0\text{ A};$<br>$T_j = 150\text{ }^{\circ}\text{C}$ | -   | -   | 5   | $\mu\text{A}$ |
| $I_{EBO}$             | emitter-base cut-off current         | $V_{EB} = 5\text{ V};$<br>$I_C = 0\text{ A}$  | -   | -   | 100 | nA            |
| $h_{FE}$              | DC current gain                      | $V_{CE} = 5\text{ V};$<br>$I_C = 10\text{ }\mu\text{A}$                               | -   | 250 | -   |               |
|                       |                                      | $V_{CE} = 5\text{ V};$<br>$I_C = 2\text{ mA}$   | 200 | 290 | 450 |               |
| $V_{CEsat}$           | collector-emitter saturation voltage | $I_C = 10\text{ mA};$<br>$I_B = 0.5\text{ mA}$  | -   | 50  | 200 | mV            |
|                       |                                      | $I_C = 100\text{ mA};$<br>$I_B = 5\text{ mA}$   | -   | 200 | 400 | mV            |
| $V_{BEsat}$           | base-emitter saturation voltage      | $I_C = 10\text{ mA};$<br>$I_B = 0.5\text{ mA}$  | [1] | -   | 760 | mV            |
|                       |                                      | $I_C = 100\text{ mA};$<br>$I_B = 5\text{ mA}$   | [1] | -   | 910 | mV            |

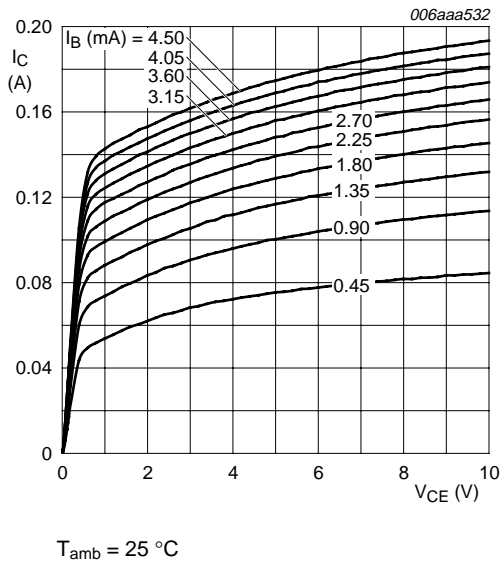
**Table 8. Characteristics ...continued** $T_{amb} = 25^{\circ}\text{C}$  unless otherwise specified

| Symbol            | Parameter             | Conditions  | Min      | Typ | Max | Unit |
|-------------------|-----------------------|---|----------|-----|-----|------|
| $V_{BE}$          | base-emitter voltage  | $V_{CE} = 5\text{ V};$<br>$I_C = 2\text{ mA}$   | [2] 610  | 660 | 710 | mV   |
|                   |                       | $V_{CE} = 5\text{ V};$<br>$I_C = 10\text{ mA}$  | [2] -    | -   | 770 | mV   |
| $C_c$             | collector capacitance | $V_{CB} = 10\text{ V};$<br>$I_E = i_e = 0\text{ A};$<br>$f = 1\text{ MHz}$  | -        | -   | 1.5 | pF   |
| $C_e$             | emitter capacitance   | $V_{EB} = 0.5\text{ V};$<br>$I_C = i_c = 0\text{ A};$<br>$f = 1\text{ MHz}$   | -        | 11  | -   | pF   |
| $f_T$             | transition frequency  | $V_{CE} = 5\text{ V};$<br>$I_C = 10\text{ mA};$<br>$f = 100\text{ MHz}$   | 100      | 250 | -   | MHz  |
| NF                | noise figure          | $V_{CE} = 5\text{ V};$<br>$I_C = 0.2\text{ mA};$<br>$R_S = 2\text{ k}\Omega;$<br>$f = 10\text{ Hz to}$<br>$15.7\text{ kHz}$ | -        | 2.8 | -   | dB   |
|                   |                       | $V_{CE} = 5\text{ V};$<br>$I_C = 0.2\text{ mA};$<br>$R_S = 2\text{ k}\Omega;$<br>$f = 1\text{ kHz};$<br>$B = 200\text{ Hz}$ | -        | 3.3 | -   | dB   |
| <b>Per device</b> |                       |   |          |     |     |      |
| $h_{FE1}/h_{FE2}$ | $h_{FE}$ matching     | $V_{CE} = 5\text{ V};$<br>$I_C = 2\text{ mA}$   | [3] 0.95 | 1   | -   |      |
| $V_{BE1}-V_{BE2}$ | $V_{BE}$ matching     | $V_{CE} = 5\text{ V};$<br>$I_C = 2\text{ mA}$   | [4] -    | -   | 2   | mV   |

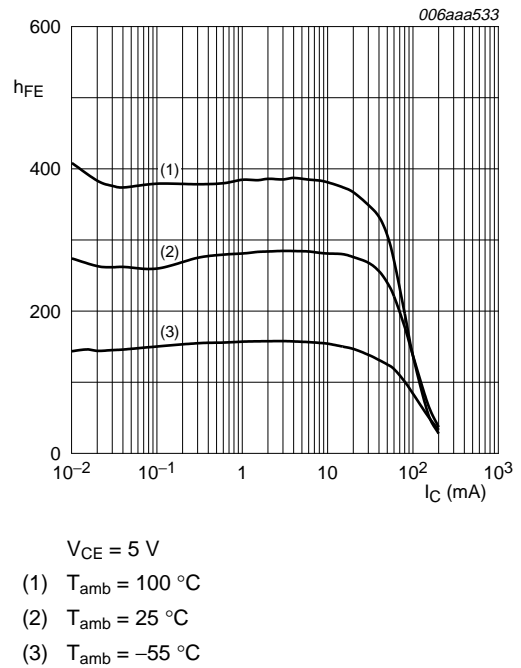
[1]  $V_{BEsat}$  decreases by about 1.7 mV/K with increasing temperature.[2]  $V_{BE}$  decreases by about 2 mV/K with increasing temperature.

[3] The smaller of the two values is taken as the numerator.

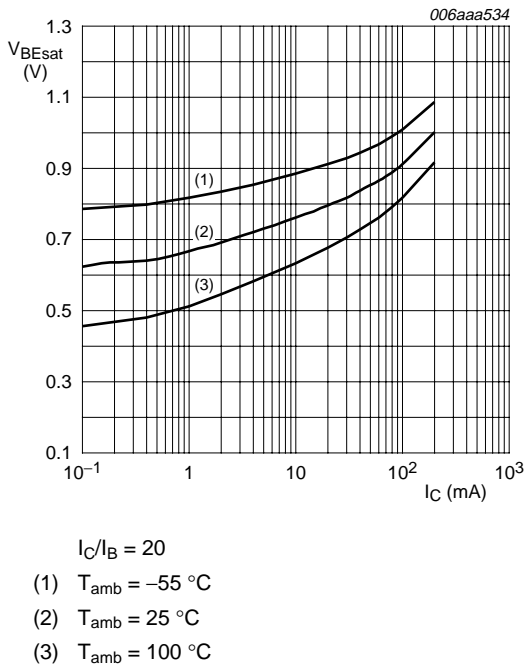
[4] The smaller of the two values is subtracted from the larger value.



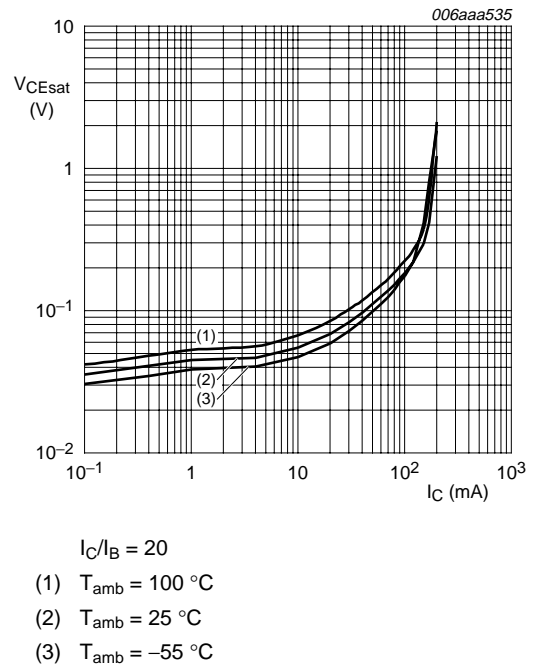
**Fig 1. Collector current as a function of collector-emitter voltage; typical values**



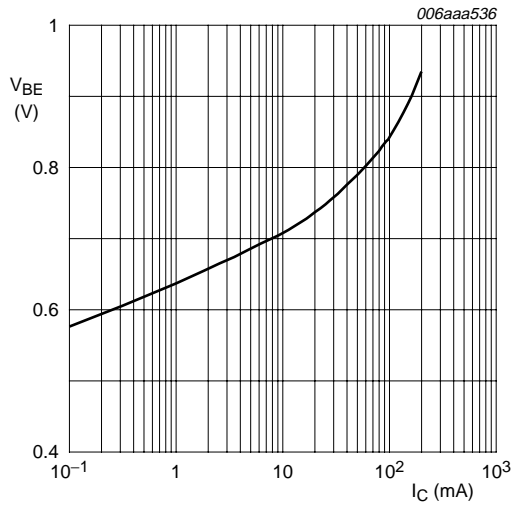
**Fig 2. DC current gain as a function of collector current; typical values**



**Fig 3. Base-emitter saturation voltage as a function of collector current; typical values**

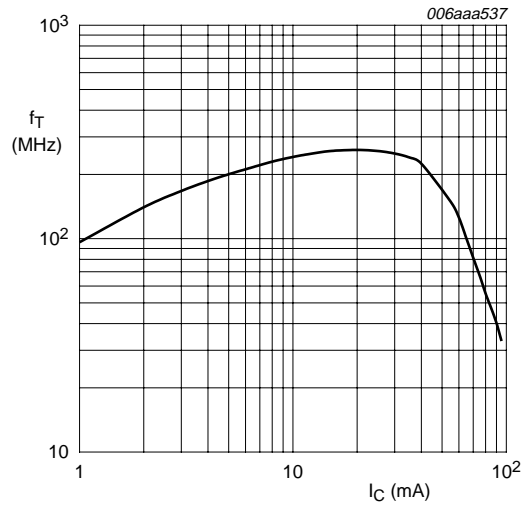


**Fig 4. Collector-emitter saturation voltage as a function of collector current; typical values**



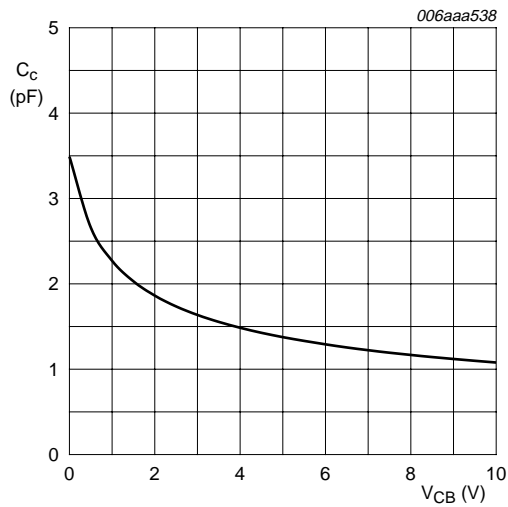
$V_{CE} = 5$  V;  $T_{amb} = 25$  °C

**Fig 5. Base-emitter voltage as a function of collector current; typical values**



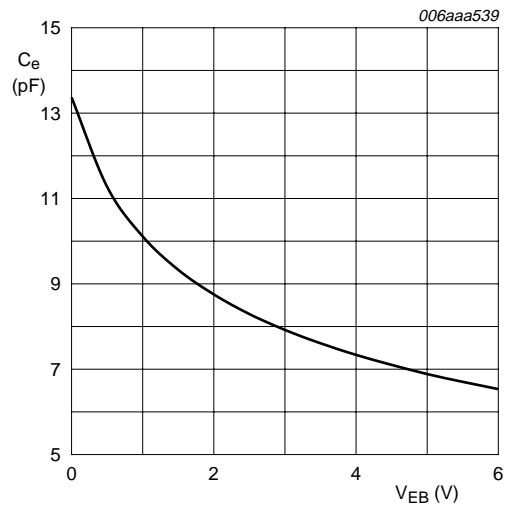
$V_{CE} = 5$  V;  $T_{amb} = 25$  °C

**Fig 6. Transition frequency as a function of collector current; typical values**



$f = 1$  MHz;  $T_{amb} = 25$  °C

**Fig 7. Collector capacitance as a function of collector-base voltage; typical values**

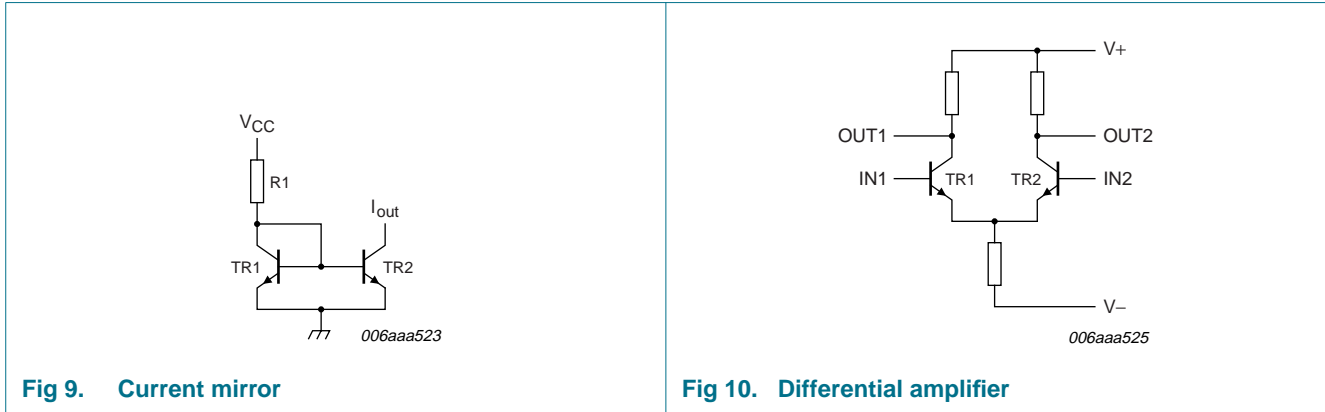


$f = 1$  MHz;  $T_{amb} = 25$  °C

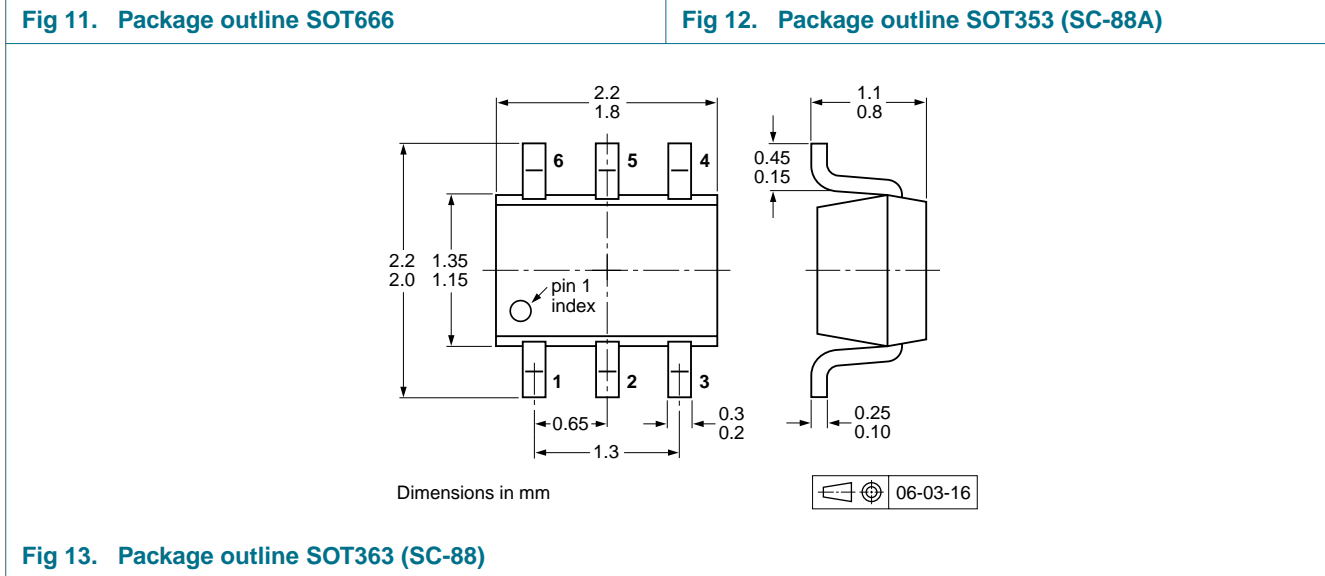
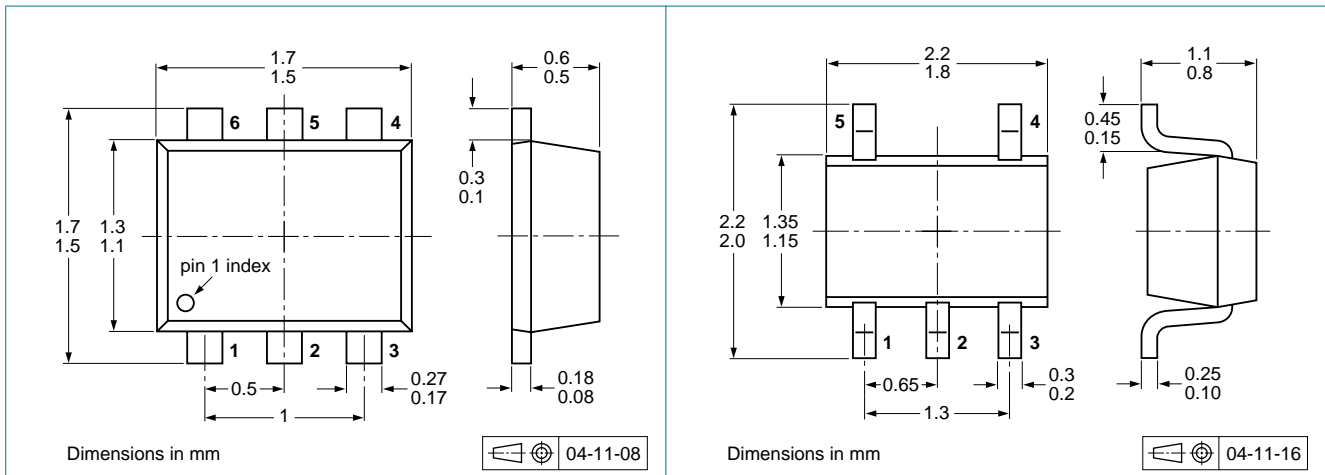
**Fig 8. Emitter capacitance as a function of emitter-base voltage; typical values**



## 8. Application information



## 9. Package outline



## 10. Packing information

**Table 9. Packing methods**

The indicated -xxx are the last three digits of the 12NC ordering code.<sup>[1]</sup>

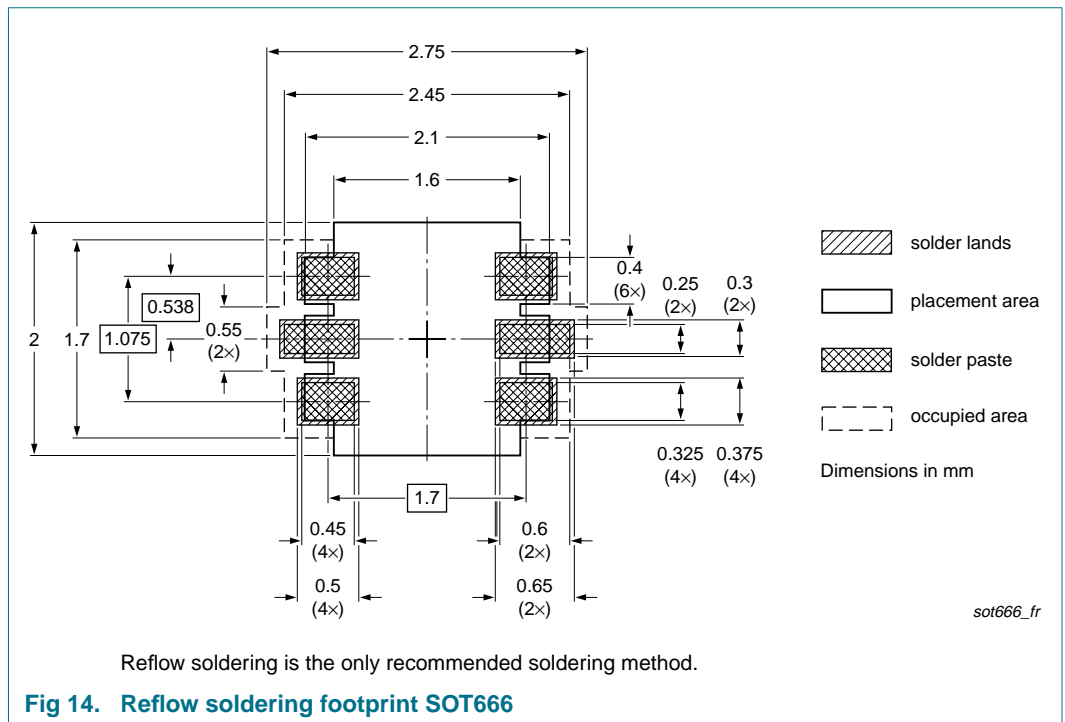
| Type number | Package | Description                                       | Packing quantity |      |      |       |
|-------------|---------|---|------------------|------|------|-------|
|             |         |   | 3000             | 4000 | 8000 | 10000 |
| PMP4501V    | SOT666  | 2 mm pitch, 8 mm tape and reel                    | -                | -    | -315 | -     |
|             |         | 4 mm pitch, 8 mm tape and reel                    | -                | -115 | -    | -     |
| PMP4501G    | SOT353  | 4 mm pitch, 8 mm tape and reel                    | -115             | -    | -    | -135  |
| PMP4501Y    | SOT363  | 4 mm pitch, 8 mm tape and reel; T1 <sup>[2]</sup> | -115             | -    | -    | -135  |
|             |         | 4 mm pitch, 8 mm tape and reel; T2 <sup>[3]</sup> | -125             | -    | -    | -165  |

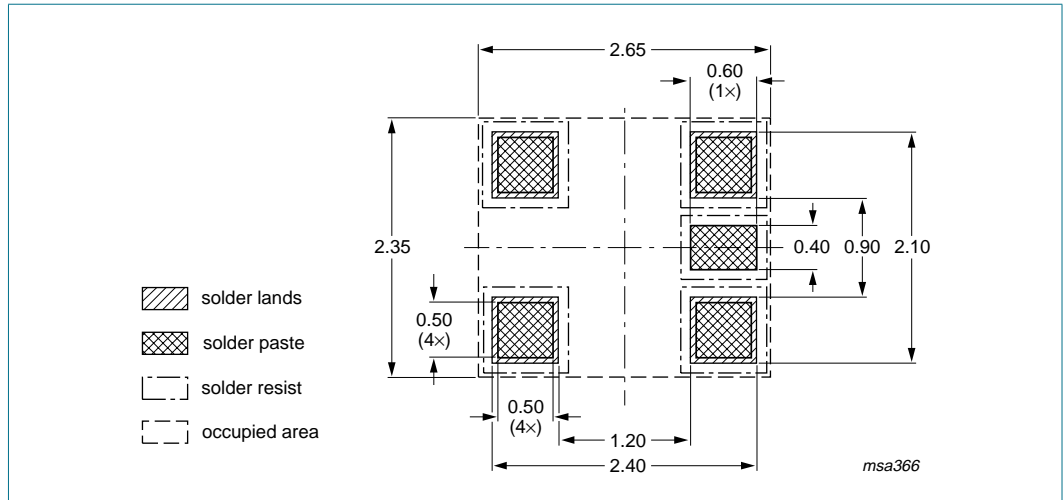
[1] For further information and the availability of packing methods, see [Section 14](#).

[2] T1: normal taping

[3] T2: reverse taping

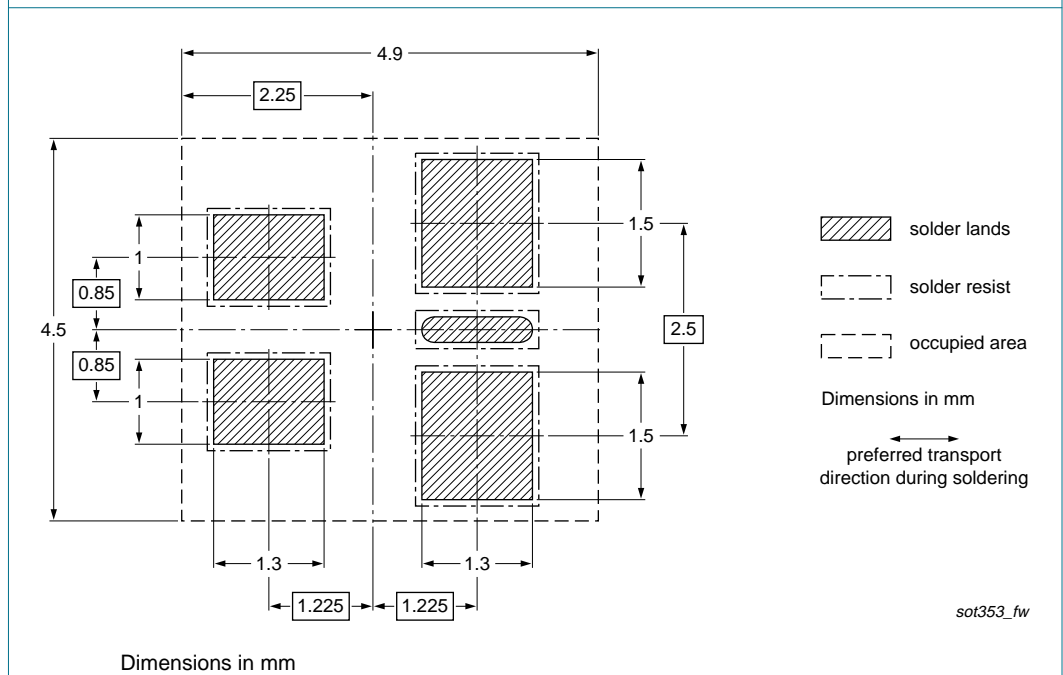
## 11. Soldering





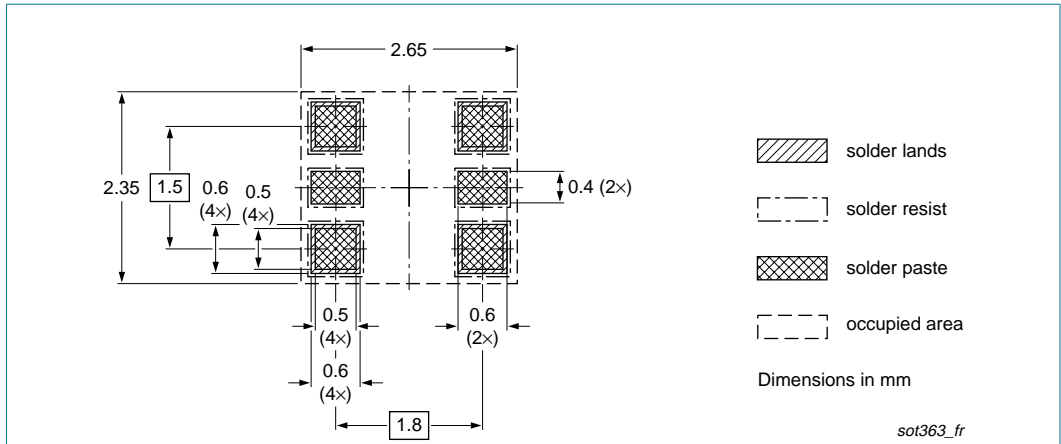
Dimensions in mm

**Fig 15. Reflow soldering footprint SOT353 (SC-88A)**

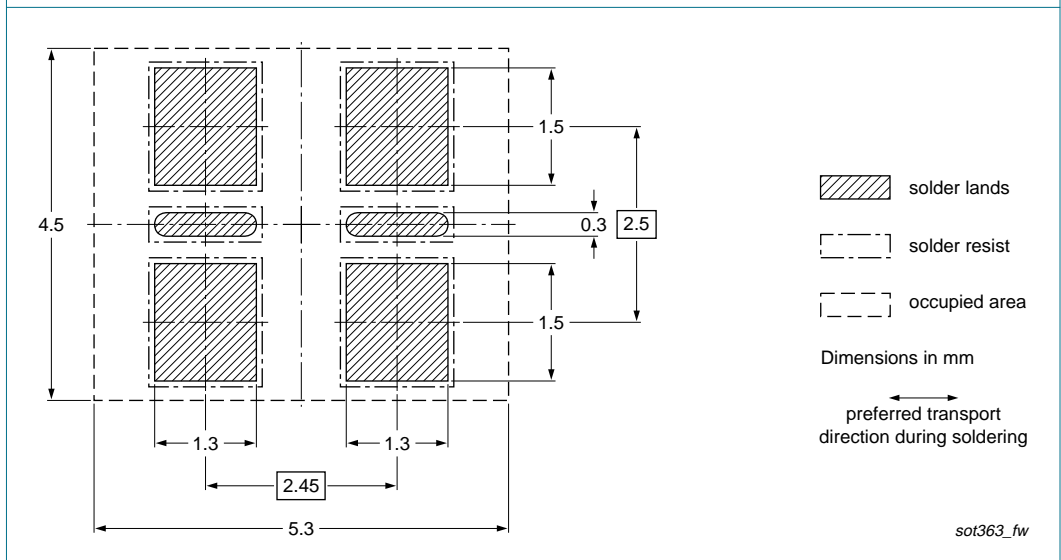


Dimensions in mm

**Fig 16. Wave soldering footprint SOT353 (SC-88A)**



**Fig 17. Reflow soldering footprint SOT363 (SC-88)**



**Fig 18. Wave soldering footprint SOT363 (SC-88)**

## 12. Revision history

**Table 10. Revision history**

| Document ID    | Release date   | Data sheet status  | Change notice | Supersedes     |
|----------------|--|--------------------|---------------|----------------|
| PMP4501V_G_Y_4 | 20090828   | Product data sheet | -             | PMP4501V_G_Y_3 |
| Modifications: | <ul style="list-style-type: none"> <li>• This data sheet was changed to reflect the new company name NXP Semiconductors, including new legal definitions and disclaimers. No changes were made to the technical content.</li> <li>• <a href="#">Figure 14 "Reflow soldering footprint SOT666"</a>: updated</li> <li>• <a href="#">Figure 16 "Wave soldering footprint SOT353 (SC-88A)"</a>: updated</li> <li>• <a href="#">Figure 17 "Reflow soldering footprint SOT363 (SC-88)"</a>: updated</li> <li>• <a href="#">Figure 18 "Wave soldering footprint SOT363 (SC-88)"</a>: updated</li> </ul> |                    |               |                |
| PMP4501V_G_Y_3 | 20060919   | Product data sheet | -             | PMP4501G_Y_2   |
| PMP4501G_Y_2   | 20060214   | Product data sheet | -             | PMP4501G_Y_1   |
| PMP4501G_Y_1   | 20060202   | Product data sheet | -             | -              |

## 13. Legal information

### 13.1 Data sheet status

| Document status <sup>[1][2]</sup> | Product status <sup>[3]</sup> | Definition  |
|-----------------------------------|-------------------------------|---|
| Objective [short] data sheet      | Development                   | This document contains data from the objective specification for product development. |
| Preliminary [short] data sheet    | Qualification                 | This document contains data from the preliminary specification.                       |
| Product [short] data sheet        | Production                    | This document contains the product specification.                                     |

[1] Please consult the most recently issued document before initiating or completing a design.

[2] The term 'short data sheet' is explained in section "Definitions".

[3] The product status of device(s) described in this document may have changed since this document was published and may differ in case of multiple devices. The latest product status information is available on the Internet at URL <http://www.nxp.com>.

### 13.2 Definitions

**Draft** — The document is a draft version only. The content is still under internal review and subject to formal approval, which may result in modifications or additions. NXP Semiconductors does not give any representations or warranties as to the accuracy or completeness of information included herein and shall have no liability for the consequences of use of such information.

**Short data sheet** — A short data sheet is an extract from a full data sheet with the same product type number(s) and title. A short data sheet is intended for quick reference only and should not be relied upon to contain detailed and full information. For detailed and full information see the relevant full data sheet, which is available on request via the local NXP Semiconductors sales office. In case of any inconsistency or conflict with the short data sheet, the full data sheet shall prevail.

### 13.3 Disclaimers

**General** — Information in this document is believed to be accurate and reliable. However, NXP Semiconductors does not give any representations or warranties, expressed or implied, as to the accuracy or completeness of such information and shall have no liability for the consequences of use of such information.

**Right to make changes** — NXP Semiconductors reserves the right to make changes to information published in this document, including without limitation specifications and product descriptions, at any time and without notice. This document supersedes and replaces all information supplied prior to the publication hereof.

**Suitability for use** — NXP Semiconductors products are not designed, authorized or warranted to be suitable for use in medical, military, aircraft, space or life support equipment, nor in applications where failure or malfunction of an NXP Semiconductors product can reasonably be expected to result in personal injury, death or severe property or environmental

damage. NXP Semiconductors accepts no liability for inclusion and/or use of NXP Semiconductors products in such equipment or applications and therefore such inclusion and/or use is at the customer's own risk.

**Applications** — Applications that are described herein for any of these products are for illustrative purposes only. NXP Semiconductors makes no representation or warranty that such applications will be suitable for the specified use without further testing or modification.

**Limiting values** — Stress above one or more limiting values (as defined in the Absolute Maximum Ratings System of IEC 60134) may cause permanent damage to the device. Limiting values are stress ratings only and operation of the device at these or any other conditions above those given in the Characteristics sections of this document is not implied. Exposure to limiting values for extended periods may affect device reliability.

**Terms and conditions of sale** — NXP Semiconductors products are sold subject to the general terms and conditions of commercial sale, as published at <http://www.nxp.com/profile/terms>, including those pertaining to warranty, intellectual property rights infringement and limitation of liability, unless explicitly otherwise agreed to in writing by NXP Semiconductors. In case of any inconsistency or conflict between information in this document and such terms and conditions, the latter will prevail.

**No offer to sell or license** — Nothing in this document may be interpreted or construed as an offer to sell products that is open for acceptance or the grant, conveyance or implication of any license under any copyrights, patents or other industrial or intellectual property rights.

**Export control** — This document as well as the item(s) described herein may be subject to export control regulations. Export might require a prior authorization from national authorities.

**Quick reference data** — The Quick reference data is an extract of the product data given in the Limiting values and Characteristics sections of this document, and as such is not complete, exhaustive or legally binding.

### 13.4 Trademarks

Notice: All referenced brands, product names, service names and trademarks are the property of their respective owners.

## 14. Contact information

For more information, please visit: <http://www.nxp.com>

For sales office addresses, please send an email to: [salesaddresses@nxp.com](mailto:salesaddresses@nxp.com)

## 15. Contents

|           |                                      |           |
|-----------|--------------------------------------|-----------|
| <b>1</b>  | <b>Product profile</b> .....         | <b>1</b>  |
| 1.1       | General description .....            | 1         |
| 1.2       | Features .....                       | 1         |
| 1.3       | Applications .....                   | 1         |
| 1.4       | Quick reference data .....           | 1         |
| <b>2</b>  | <b>Pinning information</b> .....     | <b>2</b>  |
| <b>3</b>  | <b>Ordering information</b> .....    | <b>2</b>  |
| <b>4</b>  | <b>Marking</b> .....                 | <b>3</b>  |
| <b>5</b>  | <b>Limiting values</b> .....         | <b>3</b>  |
| <b>6</b>  | <b>Thermal characteristics</b> ..... | <b>4</b>  |
| <b>7</b>  | <b>Characteristics</b> .....         | <b>4</b>  |
| <b>8</b>  | <b>Application information</b> ..... | <b>8</b>  |
| <b>9</b>  | <b>Package outline</b> .....         | <b>8</b>  |
| <b>10</b> | <b>Packing information</b> .....     | <b>9</b>  |
| <b>11</b> | <b>Soldering</b> .....               | <b>9</b>  |
| <b>12</b> | <b>Revision history</b> .....        | <b>12</b> |
| <b>13</b> | <b>Legal information</b> .....       | <b>13</b> |
| 13.1      | Data sheet status .....              | 13        |
| 13.2      | Definitions .....                    | 13        |
| 13.3      | Disclaimers .....                    | 13        |
| 13.4      | Trademarks .....                     | 13        |
| <b>14</b> | <b>Contact information</b> .....     | <b>13</b> |
| <b>15</b> | <b>Contents</b> .....                | <b>14</b> |

Please be aware that important notices concerning this document and the product(s) described herein, have been included in section 'Legal information'.



© NXP B.V. 2009.

All rights reserved.

For more information, please visit: <http://www.nxp.com>

For sales office addresses, please send an email to: [salesaddresses@nxp.com](mailto:salesaddresses@nxp.com)

Date of release: 28 August 2009

Document identifier: PMP4501V\_G\_Y\_4