

# MAXIM

## 32-Tap FleaPoT™, 2-Wire Digital Potentiometers

MAX5460–MAX5468

### General Description

The MAX5460–MAX5468 linear-taper digital potentiometers perform the same function as a mechanical potentiometer or a variable resistor. These devices consist of a fixed resistor and a wiper contact with 32-tap points that are digitally controlled through a 2-wire serial interface.

The MAX5462/MAX5465/MAX5468 are configured as potentiometers. The rest of the devices in this family are configured as variable resistors. See *Pin Configurations* for part functionality.

Three resistance values are available: 10k $\Omega$  (MAX5466/MAX5467/MAX5468), 50k $\Omega$  (MAX5463/MAX5464/MAX5465), and 100k $\Omega$  (MAX5460/MAX5461/MAX5462). The MAX5460–MAX5465 (100k $\Omega$  and 50k $\Omega$ ) are available in space-saving 5-pin and 6-pin SC70 packages. The MAX5466/MAX5467/MAX5468 (10k $\Omega$ ) are available in 5-pin and 6-pin SOT23 packages.

### Applications

LCD Screen Adjustment  
Volume Control  
Mechanical Potentiometer Replacement  
Gain Adjustment  
Line Impedance Matching

*FleaPoT* is a trademark of Maxim Integrated Products Inc.

**Functional Diagram appears at end of data sheet.**

### Features

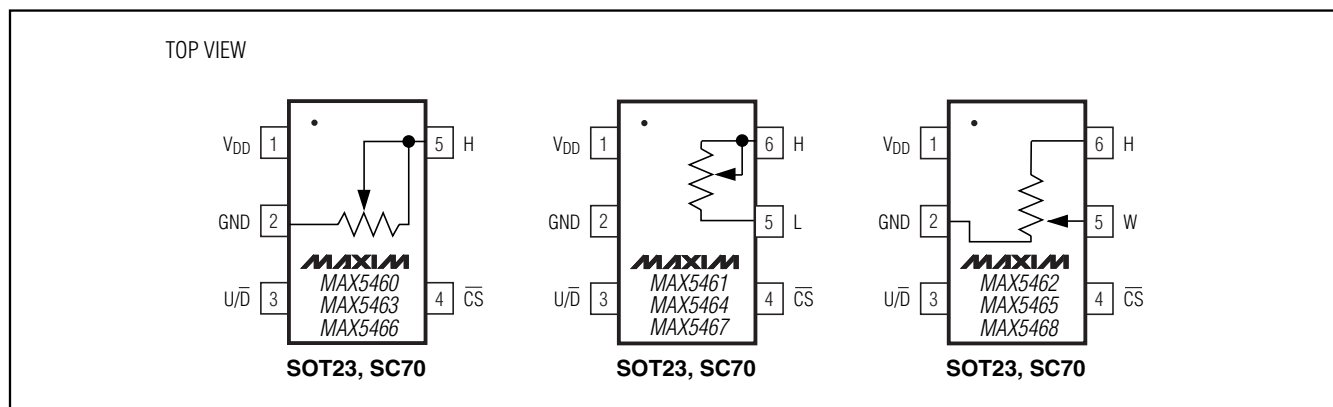
- ◆ Miniature SC70 and SOT23 Packages
- ◆ 0.3 $\mu$ A Ultra-Low Supply Current
- ◆ +2.7V to +5.5V Single-Supply Operation
- ◆ Glitchless Switching Between Resistor Taps
- ◆ Power-On Reset to Midscale
- ◆ 2-Wire Up/Down Serial Interface
- ◆ 10k $\Omega$ , 50k $\Omega$ , and 100k $\Omega$  Resistance Values

### Ordering Information

| PART       | PIN-PACKAGE | TOP MARK | R (k $\Omega$ ) | PKG CODE |
|------------|-------------|----------|-----------------|----------|
| MAX5460EXK | 5 SC70      | ACA      | 100             | X5-1     |
| MAX5461EXT | 6 SC70      | AAP      | 100             | X6S-1    |
| MAX5462EXT | 6 SC70      | AAQ      | 100             | X6S-1    |
| MAX5463EXK | 5 SC70      | ACB      | 50              | X5-1     |
| MAX5464EXT | 6 SC70      | AAR      | 50              | X6S-1    |
| MAX5465EXT | 6 SC70      | AAS      | 50              | X6S-1    |
| MAX5466EUK | 5 SOT23     | ADQQ     | 10              | U5-1     |
| MAX5467EUT | 6 SOT23     | AARH     | 10              | U6-1     |
| MAX5468EUT | 6 SOT23     | AARI     | 10              | U6-1     |

**Note:** All devices operate over the -40°C to +85°C temperature range.

### Pin Configurations



# 32-Tap FleaPoT™, 2-Wire Digital Potentiometers

## ABSOLUTE MAXIMUM RATINGS

|   |                                   |
|---|-----------------------------------|
| V <sub>DD</sub> to GND                      | -0.3V to +6V                      |
| All Other Pins to GND                       | -0.3V to (V <sub>DD</sub> + 0.3)V |
| Input and Output Latch-Up Immunity          | ±200mA                            |
| Maximum Continuous Current into H, L, and W |                                   |
| MAX5460/MAX5461/MAX5462 (100kΩ)             | ±0.6mA                            |
| MAX5463/MAX5464/MAX5465 (50kΩ)              | ±1.3mA                            |
| MAX5466/MAX5467/MAX5468 (10kΩ)              | ±1.3mA                            |

|  |                 |
|--|-----------------|
| Continuous Power Dissipation (T <sub>A</sub> = +70°C)      |                 |
| 5-pin SC70 (derate 3.1mW/°C above T <sub>A</sub> = +70°C)  | 247mW           |
| 5-pin SOT23 (derate 7.1mW/°C above T <sub>A</sub> = +70°C) | 571mW           |
| 6-pin SC70 (derate 3.1mW/°C above T <sub>A</sub> = +70°C)  | 245mW           |
| 6-pin SOT23 (derate 8.7mW/°C above T <sub>A</sub> = +70°C) | 695.7mW         |
| Operating Temperature Range                                | -40°C to +85°C  |
| Junction Temperature                                       | +150°C          |
| Storage Temperature Range                                  | -65°C to +150°C |
| Soldering Temperature (soldering, 10s)                     | +300°C          |

Stresses beyond those listed under "Absolute Maximum Ratings" may cause permanent damage to the device. These are stress ratings only, and functional operation of the device at these or any other conditions beyond those indicated in the operational sections of the specifications is not implied. Exposure to absolute maximum rating conditions for extended periods may affect device reliability.

## ELECTRICAL CHARACTERISTICS

(V<sub>DD</sub> = +2.7V to +5.5V, V<sub>H</sub> = V<sub>DD</sub>, V<sub>L</sub> = 0, T<sub>A</sub> = -40°C to +85°C. Typical values are at V<sub>DD</sub> = +2.7V, T<sub>A</sub> = +25°C, unless otherwise noted.)

| PARAMETER                                    | SYMBOL              | CONDITIONS   | MIN                   | TYP  | MAX                   | UNITS  |
|--|---------------------|--|-----------------------|------|-----------------------|--------|
| <b>DC PERFORMANCE</b>                        |                     |  |                       |      |                       |        |
| Resolution                                   |                     |  | 32                    |      |                       | Taps   |
| End-to-End Resistance                        |                     | MAX5460/MAX5461/MAX5462                                      | 75                    | 100  | 125                   | kΩ     |
|  |                     | MAX5463/MAX5464/MAX5465                                      | 37.5                  | 50   | 62.5                  |        |
|  |                     | MAX5466/MAX5467/MAX5468                                      | 7.5                   | 10   | 12.5                  |        |
| End-to-End Resistance Tempco                 | TC <sub>R</sub>     |  |                       | 35   |                       | ppm/°C |
| Ratiometric Resistance Tempco                |                     |  |                       | 5    |                       | ppm/°C |
| Integral Nonlinearity                        | INL                 |  |                       | ±0.5 | ±1                    | LSB    |
| Differential Nonlinearity                    | DNL                 |  |                       |      | ±1                    | LSB    |
| Full-Scale Error                             |                     |  |                       | ±0.1 |                       | LSB    |
| Zero-Scale Error                             |                     |  |                       |      | 1                     | LSB    |
| Wiper Resistance                             | R <sub>W</sub>      | MAX5462/MAX5465  |                       | 600  | 1200                  | Ω      |
|  |                     | MAX5468  |                       | 160  | 240                   |        |
| <b>DIGITAL INPUTS</b>                        |                     |  |                       |      |                       |        |
| Input High Voltage                           | V <sub>IH</sub>     |  | 0.7 × V <sub>DD</sub> |      |                       | V      |
| Input Low Voltage                            | V <sub>IL</sub>     |  |                       |      | 0.3 × V <sub>DD</sub> | V      |
| <b>TIMING CHARACTERISTICS</b> (Figures 1, 2) |                     |  |                       |      |                       |        |
| U/ $\bar{D}$ Mode to $\bar{CS}$ Setup        | t <sub>CU</sub>     |  | 25                    |      |                       | ns     |
| $\bar{CS}$ to U/ $\bar{D}$ Step Setup        | t <sub>CI</sub>     |  | 50                    |      |                       | ns     |
| $\bar{CS}$ to U/ $\bar{D}$ Step Hold         | t <sub>IC</sub>     |  | 25                    |      |                       | ns     |
| U/ $\bar{D}$ Step Low Period                 | t <sub>IL</sub>     |  | 25                    |      |                       | ns     |
| U/ $\bar{D}$ Step High Period                | t <sub>IH</sub>     |  | 25                    |      |                       | ns     |
| Up/Down Toggle Rate (Note 1)                 | f <sub>TOGGLE</sub> |  |                       | 1    |                       | MHz    |
| Output Settling Time (Note 2)                | t <sub>SETTLE</sub> | 100kΩ variable resistor configuration, C <sub>L</sub> = 10pF |                       | 1    |                       | μs     |
|  |                     | 100kΩ potentiometer configuration, C <sub>L</sub> = 10pF     |                       | 0.25 |                       |        |

# 32-Tap FleaPoT™, 2-Wire Digital Potentiometers

MAX5460-MAX5468

## ELECTRICAL CHARACTERISTICS (continued)

( $V_{DD} = +2.7V$  to  $+5.5V$ ,  $V_H = V_{DD}$ ,  $V_L = 0$ ,  $T_A = -40^{\circ}C$  to  $+85^{\circ}C$ . Typical values are at  $V_{DD} = +2.7V$ ,  $T_A = +25^{\circ}C$ , unless otherwise noted.)

| PARAMETER                       | SYMBOL   | CONDITIONS     | MIN | TYP | MAX | UNITS   |
|---------------------------------|----------|----------------|-----|-----|-----|---------|
| <b>POWER SUPPLIES</b>           |          |                |     |     |     |         |
| Supply Voltage                  | $V_{DD}$ |                | 2.7 |     | 5.5 | V       |
| Active Supply Current (Note 3)  | $I_{DD}$ |                |     | 25  |     | $\mu A$ |
| Standby Supply Current (Note 4) | $I_{SD}$ | $V_{DD} = +5V$ |     | 0.3 | 1   | $\mu A$ |

**Note 1:** Up/Down Toggle Rate:

$$f_{TOGGLE} = \frac{1}{t_{SETTLE}}$$

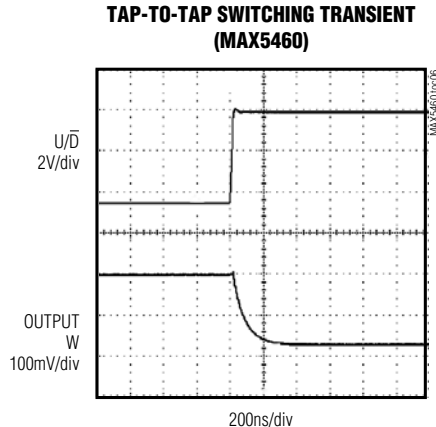
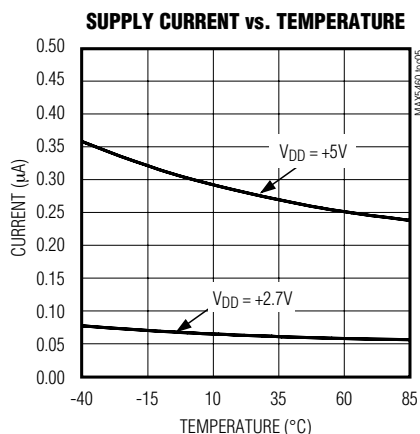
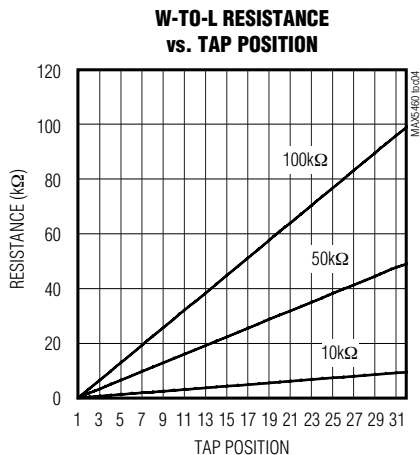
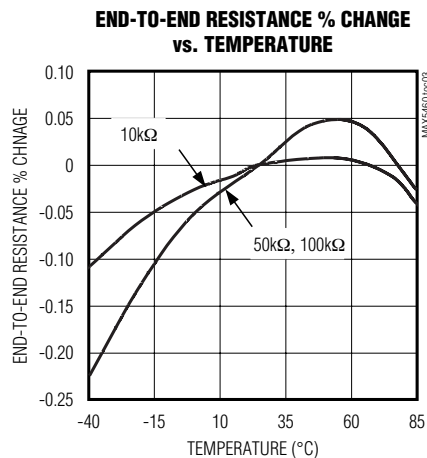
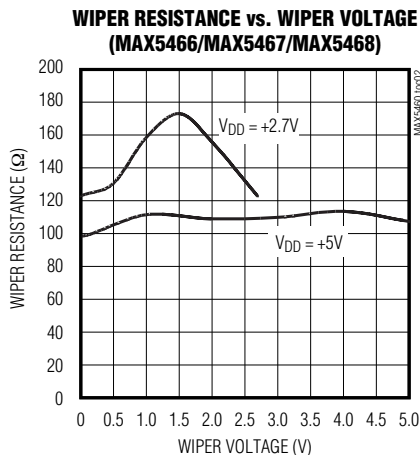
**Note 2:** Typical settling times are dependent on end-to-end resistance.

**Note 3:** Supply current taken while changing wiper tap,  $f_{TOGGLE} = 1MHz$ .

**Note 4:** Supply current taken while wiper position is fixed.

## Typical Operating Characteristics

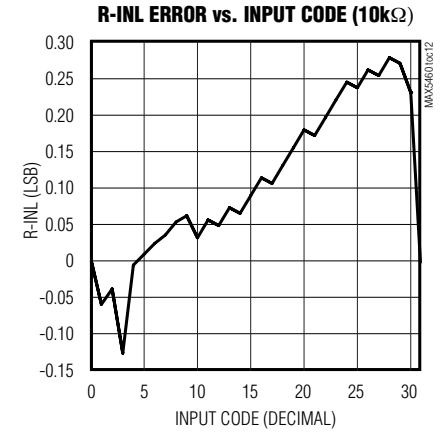
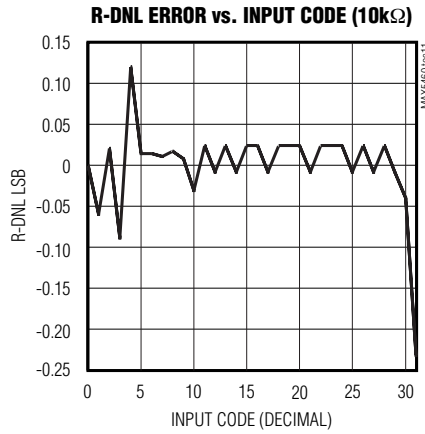
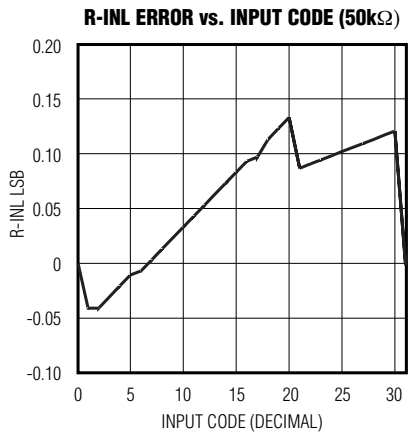
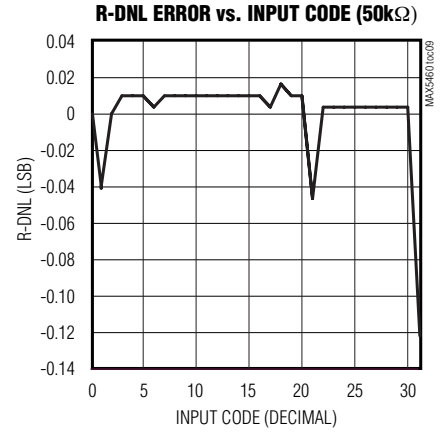
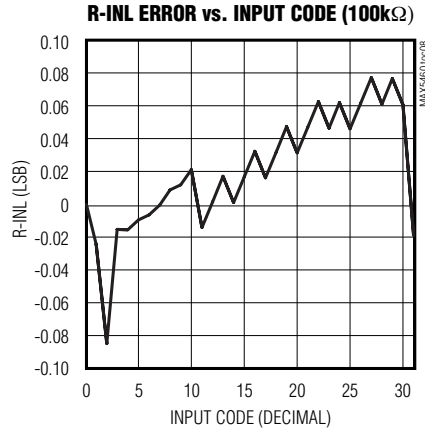
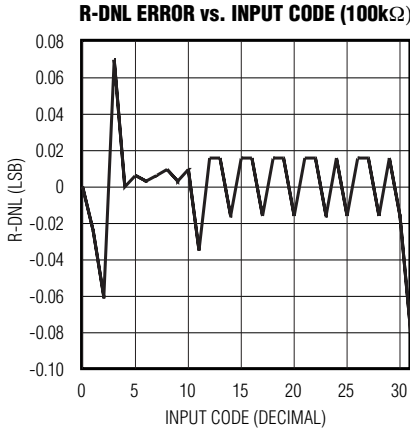
( $T_A = +25^{\circ}C$ , unless otherwise noted.)



# 32-Tap FleaPoT™, 2-Wire Digital Potentiometers

## Typical Operating Characteristics (continued)

(T<sub>A</sub> = +25°C, unless otherwise noted.)



## Pin Description

| PIN                           |                               |                               | NAME            | FUNCTION  |
|-------------------------------|-------------------------------|-------------------------------|-----------------|---|
| MAX5460<br>MAX5463<br>MAX5466 | MAX5461<br>MAX5464<br>MAX5467 | MAX5462<br>MAX5465<br>MAX5468 |                 |   |
| 1                             | 1                             | 1                             | V <sub>DD</sub> | Power Supply  |
| 2                             | 2                             | 2                             | GND             | Ground  |
| 3                             | 3                             | 3                             | U/ $\bar{D}$    | Up/ $\bar{D}$ Control Input. With $\bar{CS}$ low, a low-to-high transition increments or decrements the wiper position.                             |
| 4                             | 4                             | 4                             | $\bar{CS}$      | Chip Select Input. A high-to-low $\bar{CS}$ transition determines the mode: increment if U/ $\bar{D}$ is high, or decrement if U/ $\bar{D}$ is low. |
| 5                             | 6                             | 6                             | H               | High Terminal of Resistor   |
| —                             | 5                             | —                             | L               | Low Terminal of Resistor  |
| —                             | —                             | 5                             | W               | Wiper Terminal of Resistor  |

# 32-Tap FleaPoT™, 2-Wire Digital Potentiometers

MAX5460–MAX5468

## Detailed Description

The MAX5460–MAX5468 consist of a fixed resistor and a wiper contact with 32-tap points that are digitally controlled through a 2-wire serial interface. Three resistance values are available: 10kΩ (MAX5466/MAX5467/MAX5468), 50kΩ (MAX5463/MAX5464/MAX5465), and 100kΩ (MAX5460/MAX5461/MAX5462).

The MAX5462/MAX5465/MAX5468 are designed to operate as potentiometers. In this configuration, the low terminal of the resistor array is connected to ground (pin 2).

The MAX5461/MAX5464/MAX5467 perform as variable resistors. In these devices, the wiper terminal and high terminal of the resistor array are connected at pin 5. The MAX5460/MAX5463/MAX5466 are similar variable resistors, except the low terminal is connected to ground (pin 2).

## Digital Interface Operation

The MAX5460–MAX5468 have two modes of operation when the serial interface is active: increment and decrement mode. The serial interface is only active when  $\overline{CS}$  is low.

The  $\overline{CS}$  and  $U/\overline{D}$  inputs control the position of the wiper along the resistor array. When  $\overline{CS}$  transitions from high to low, the part will go into increment mode if  $U/\overline{D}$  is high, and into decrement mode if  $U/\overline{D}$  is low. Once the mode is set, the device will remain in that mode until  $\overline{CS}$  goes high again. A low-to-high transition at the  $U/\overline{D}$  pin will increment or decrement the wiper position depending on the current mode (Figures 1 and 2).

When the  $\overline{CS}$  input transitions to high (serial interface inactive), the value of the counter is stored and the wiper position is maintained.

Note that when the wiper reaches the maximum (or minimum) tap position, the wiper will not wrap around to the minimum (or maximum) position.



Figure 1. Serial Interface Timing Diagram, Increment Mode



Figure 2. Serial Interface Timing Diagram, Decrement Mode

# 32-Tap FleaPoT™, 2-Wire Digital Potentiometers

## Power-On Reset

All parts in this family feature power-on reset (POR) circuitry that sets the wiper position to midscale at power-up. By default, the chip is in the increment mode.

## Applications Information

The MAX5460-MAX5468 are intended for circuits requiring digitally controlled adjustable resistance, such as LCD contrast control, where voltage biasing adjusts the display contrast.

### Controlling a Switch-Mode LCD Bias Generator

Figure 3 shows an application where the variable resistor is used with a MAX1771 to make an adjustable positive LCD-bias circuit. The output of the MAX1771 is a positive voltage that is digitally controlled through the MAX5461/MAX5464/MAX5467. Similarly, Figure 4 shows the application of the variable resistor in a digitally controlled negative LCD-bias circuit along with the MAX774/MAX775/MAX776.

## Alternative Positive LCD Bias Control

Alternatively, use an op amp to provide buffering and gain to the output of the MAX5462/MAX5465/MAX5468. Connect the mechanical potentiometer to the positive input of a noninverting op amp (Figure 5) to select a portion of the input signal by digitally controlling the wiper terminal. Figure 6 shows a similar circuit for the MAX5461/MAX5464/MAX5467.

## Adjustable Gain

Figure 7 shows how to use the variable resistor to digitally adjust the gain of a noninverting op amp configuration. Connect the MAX5461/MAX5464/MAX5467 in series with a resistor to ground to form the adjustable gain control of a noninverting amplifier. The MAX5460-MAX5468 have a low 5ppm/°C ratiometric tempco that allows for a very stable adjustable gain configuration over temperature.

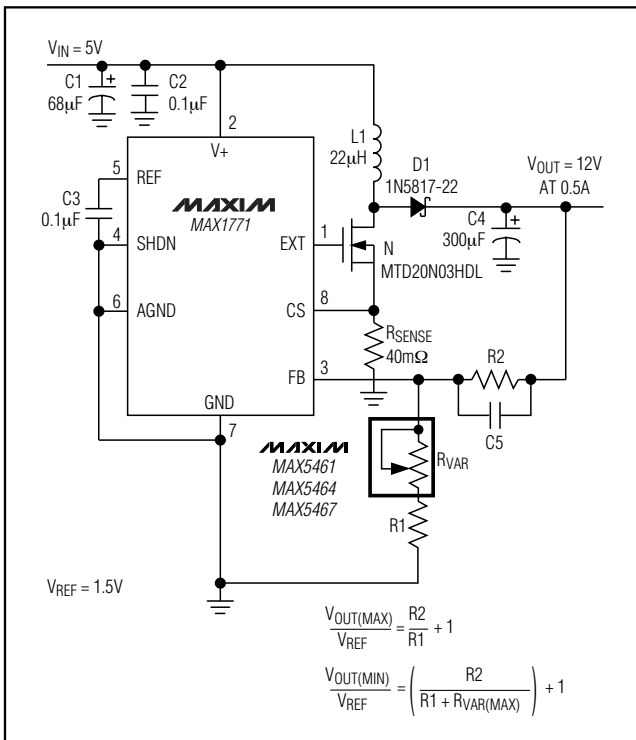


Figure 3. Adjustable Positive LCD Bias

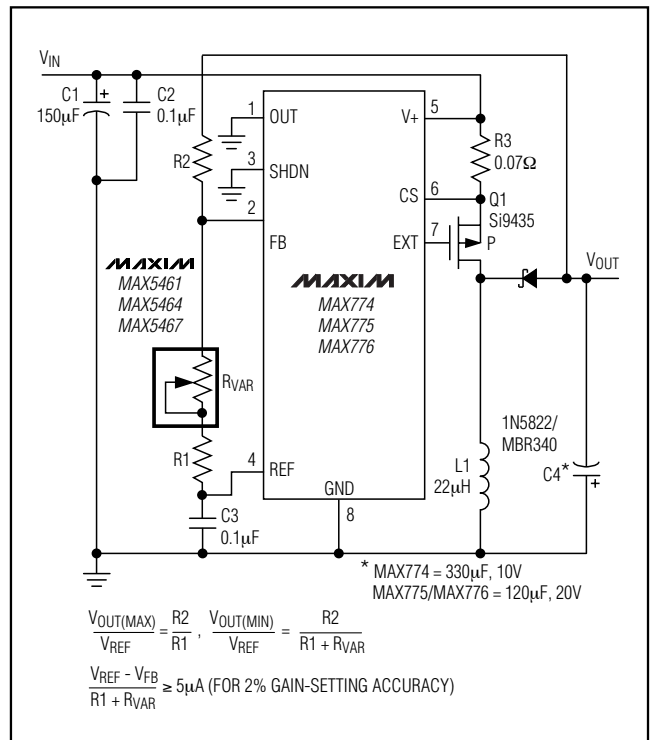


Figure 4. Adjustable Negative LCD Bias

# 32-Tap FleaPoT™, 2-Wire Digital Potentiometers

MAX5460-MAX5468



Figure 5. Positive LCD Bias Control



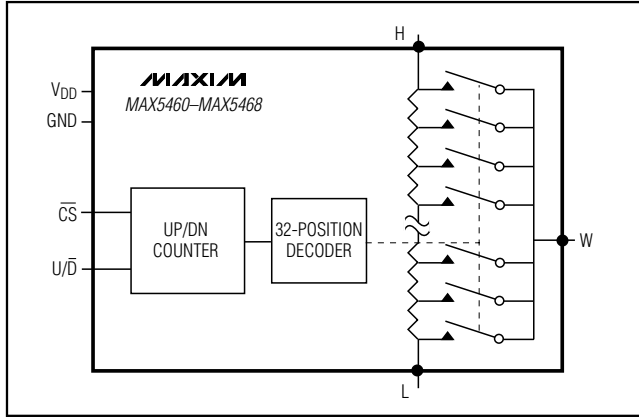
Figure 6. Positive LCD Bias Control



Figure 7. Adjustable Gain Circuit

# 32-Tap FleaPoT™, 2-Wire Digital Potentiometers

## Functional Diagram



## Chip Information

TRANSISTOR COUNT: 792

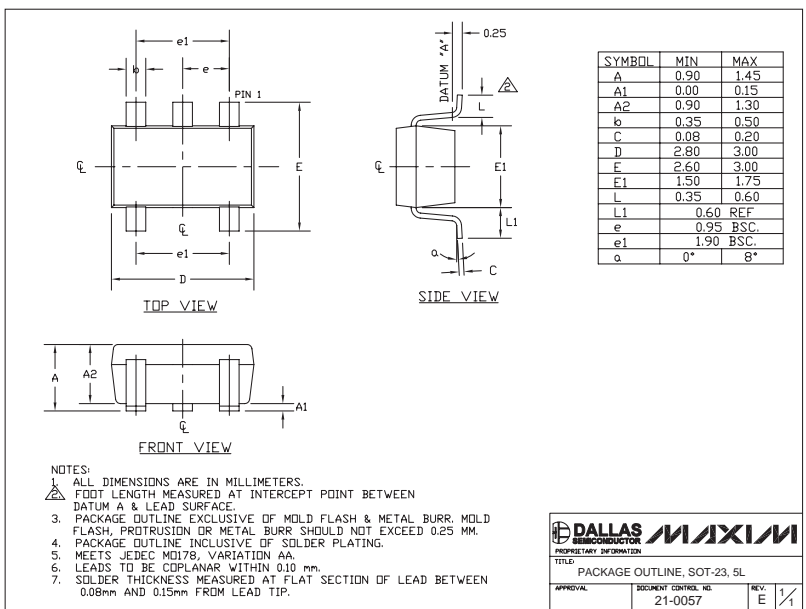
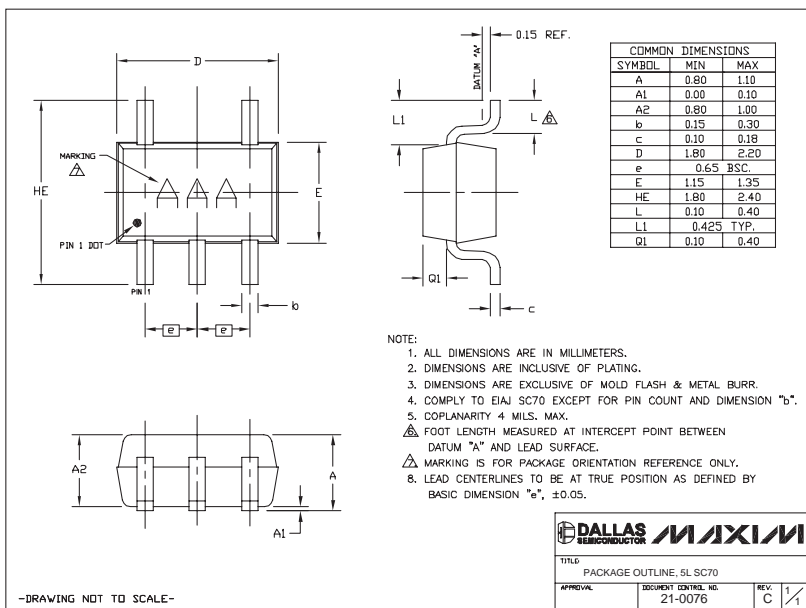


# 32-Tap FleaPoT™, 2-Wire Digital Potentiometers

## Package Information

(The package drawing(s) in this data sheet may not reflect the most current specifications. For the latest package outline information go to [www.maxim-ic.com/packages](http://www.maxim-ic.com/packages).)

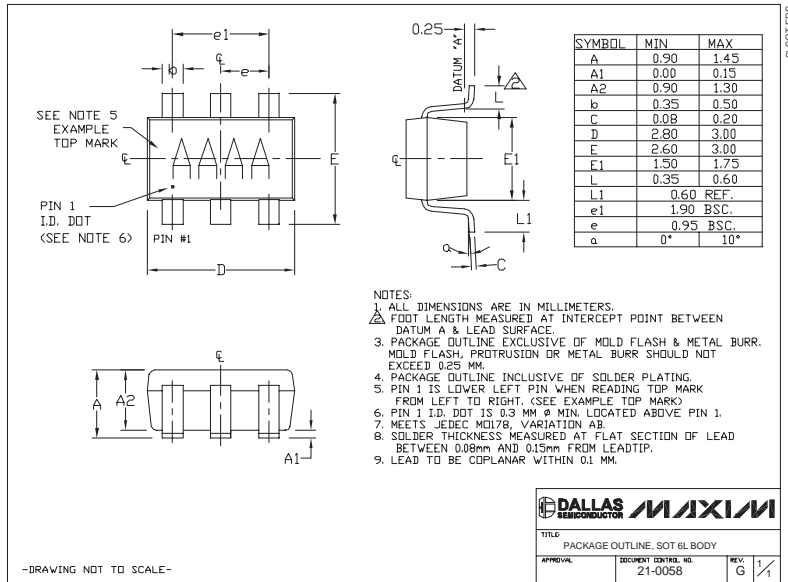
MAX5460-MAX5468



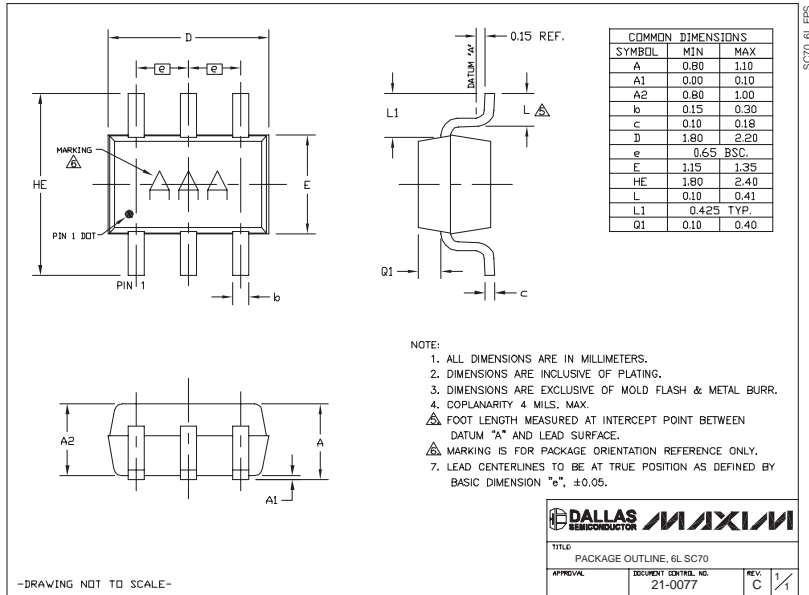
# 32-Tap FleaPoT™, 2-Wire Digital Potentiometers

## Package Information (continued)

(The package drawing(s) in this data sheet may not reflect the most current specifications. For the latest package outline information go to [www.maxim-ic.com/packages](http://www.maxim-ic.com/packages).)



6L SOT693



6L SOT70

Maxim cannot assume responsibility for use of any circuitry other than circuitry entirely embodied in a Maxim product. No circuit patent licenses are implied. Maxim reserves the right to change the circuitry and specifications without notice at any time.

10 Maxim Integrated Products, 120 San Gabriel Drive, Sunnyvale, CA 94086 408-737-7600