

Material and Finish

Body: PBT Thermoplastic
 UL94V-0 Rated
 Color: Black

Contacts: Brass

Contacts Plating Options:
 Standard: Tin Plating
 30 Option: 30u" Gold Plated

Inner Shield: Copper Alloy,
 Tin Plated

Outer Shield: Steel, Tin Plated

Electrical Characteristics

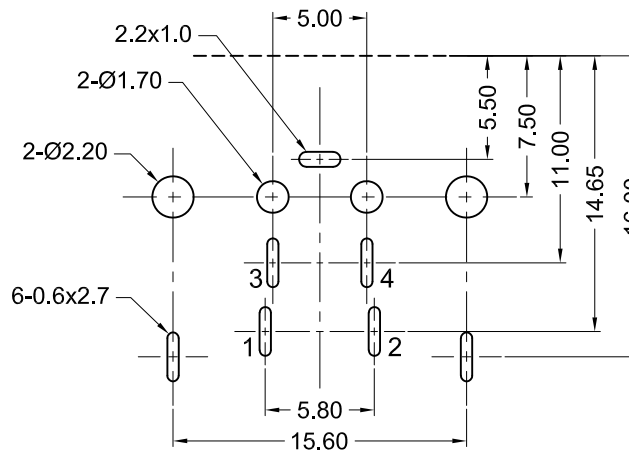
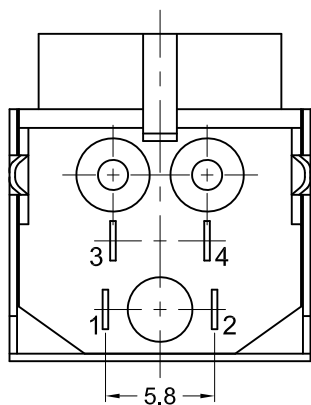
Contact Rating (Per Pin):
 7.5A Max. @ 48V DC

Insulation Resistance:
 50 Megohms Min. at 250V DC

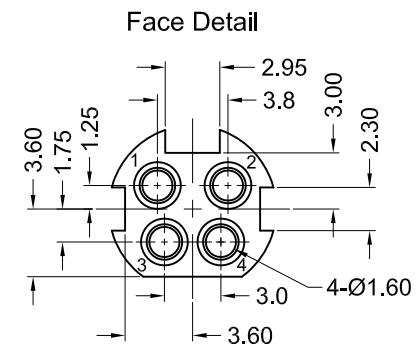
Dielectric Withstanding Voltage:
 500V AC RMS for 1 Min.

Contact Resistance:
 30 milliohms Max.

Operating Temperature:
 -40°C to +75°C



Recommended PCB Layout
 Bottom View



Part Number	Contact Area Plating Finish
KPJX-4S-S	Tin Plating
KPJX-4S-S-30	30u" Gold (30 Option)



Tolerances

X.X ± 0.35
 X.XX ± 0.25
 Unless Stated
 Otherwise

REV.	DATE	DESCRIPTION	REV. BY	CHK. BY	DRAWN BY	DATE
A10	01/28/13	ECO #13-006	S. Vien	P. DalCanto		
A11	11/13/13	ECO #13-088	C. Kelleher	P. DalCanto	H. MA	4/13/05
A12	09/18/15	ECO #15-010	C. Kelleher	W. Cook		
A13	02/19/16	ECO #16-005	C. Kelleher	W. Cook		
A14	12/12/16	ECO #16-033	G. Serrato	W. Cook		
A15	08/20/18	ECO #18-034	G. Serrato	D. Shehan		

KPJX-4S-S

DC Power Jack, RoHS Compliant

4 Position, Shielded

