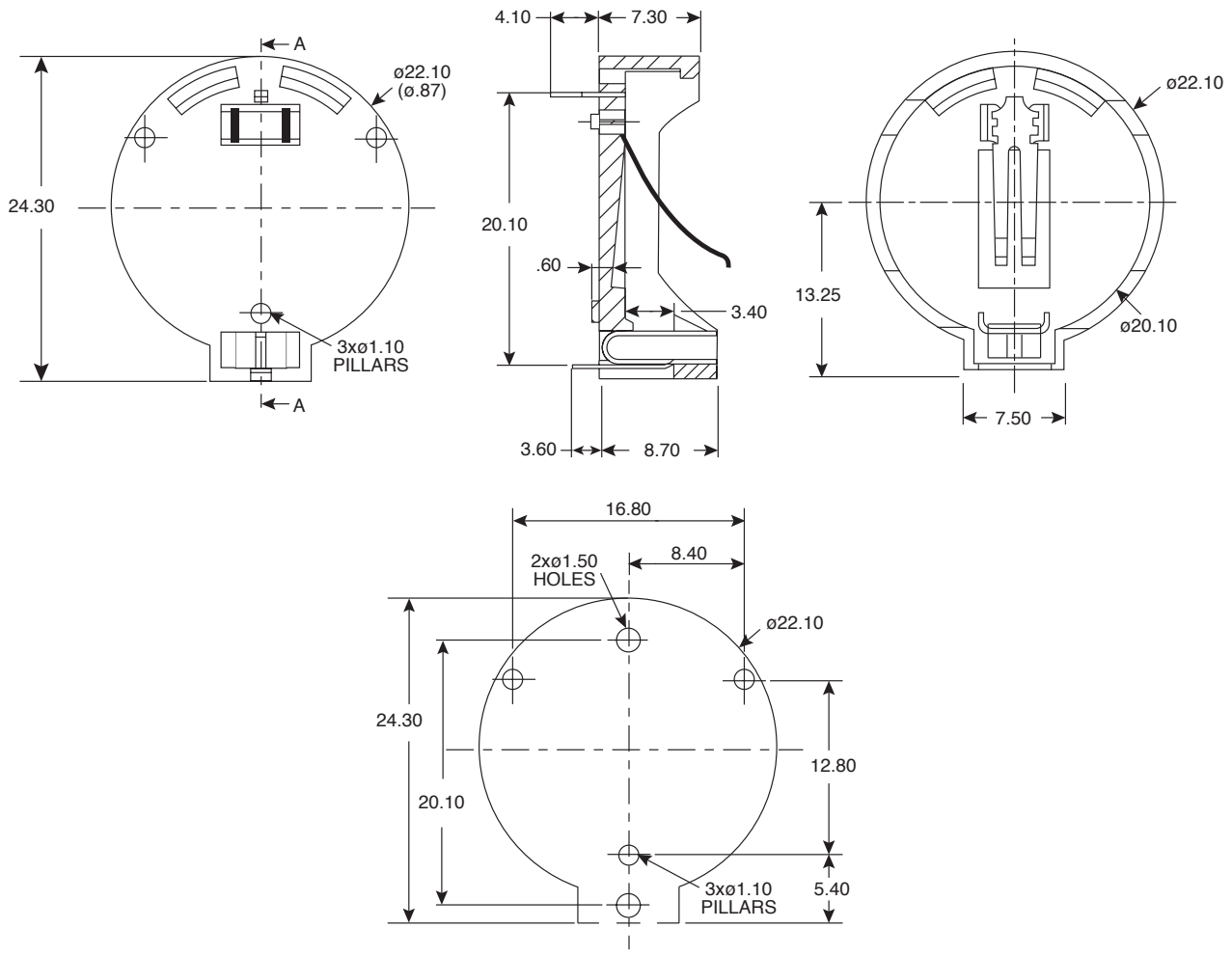


Date Last Revised: 1-13-17



PCB MOUNTING LAYOUT

Dimensions: mm

SPECIFICATIONS	
Rating:	0.5A/12VDC
Contact Resistance:	30 m Ω Max.
Insulation Resistance:	100 M Ω Min.
Operating Temperature:	-25° to +85°
Soldering:	265+5°C 3 Sec. 0.2mm From Housing Tip, No Damage
RoHS Compliant	

Available from Mouser Electronics
 1-800-346-6873
 www.mouser.com

EPD-200495