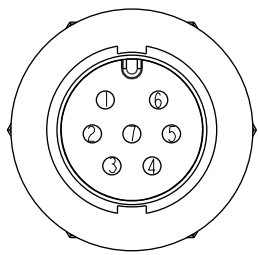
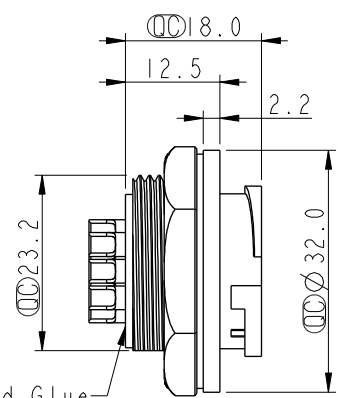


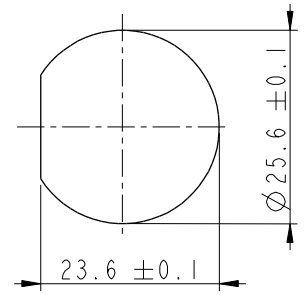
REV.	ECN NO.	DATE	SIGN	DESCRIPTION
B	LEN-8A0244	2008/09/11	Shin	Add Notes
C	CI90314	2019/03/12	Ruru	Modify Note & Change Logo



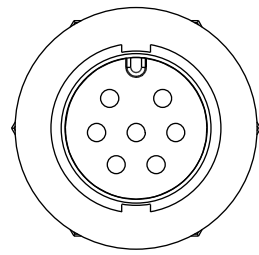
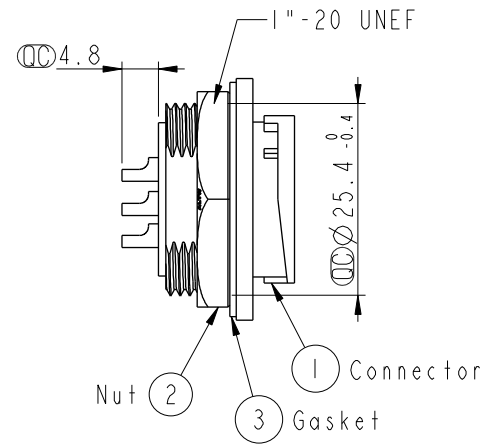
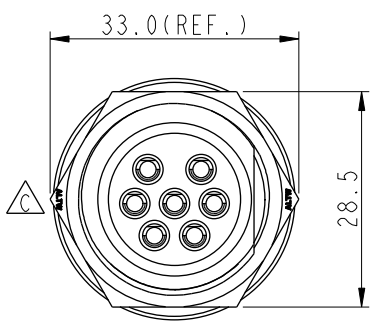
Pin Assignments
Front View 前視圖



With Liquid Glue



Recommended Panel Cut-Out



- NOTE: $\triangle C$
- * CC Important Dimension.
 - * Waterproof Rate: IP67, Unmated
 - * Housing: Thermoplastic, Black
 - * Pin: Copper Alloy, Gold Plated
 - * Nut: Thermoplastic, Black
 - * Gasket: Rubber, Black
 - * Liquid Glue: Clear
 - * Use Waterproof Cap or Dust Cap
 - $\triangle B$ Panel Thickness Max: 3.0mm
 - * Use without Waterproof Cap or Dust Cap
 - $\triangle A$ Panel Thickness Max: 4.0mm
 - * Gasket and Nut are packed separately in PE bags.

UNIT: mm		
TOLERANCE	.X ±0.25	
	.XX ±0.1	
	.XXX ±0.05	
ANGLES	±1°	

TITLE LARGE PANEL LOCK 7PIN M CONN M PIN		
SCALE 1:1	SIZE A4	SHEET 1 OF 1
REV. C	WC-REV. A.1	CC : Inspection item

Amphenol LTW
安費諾亮泰企業股份有限公司

ITEM NO. DC-07RMMS-LC7001	DRAWN BY Ruru	DATE 2019-03-12
DWG NO. DC-07RMMS-LC7001	CHECKED BY Rita	DATE 2019-03-12
CUSTOMER ALTW	APPROVED BY Max	DATE 2019-03-12

THIS DOCUMENT IS SUBJECT TO CHANGE WITHOUT NOTICE. IT IS CONFIDENTIAL AND A PROPERTY OF AMPHENOL LTW. DISCLOSURE TO THIRD PARTY HAS TO BE AUTHORIZED BY AMPHENOL LTW.