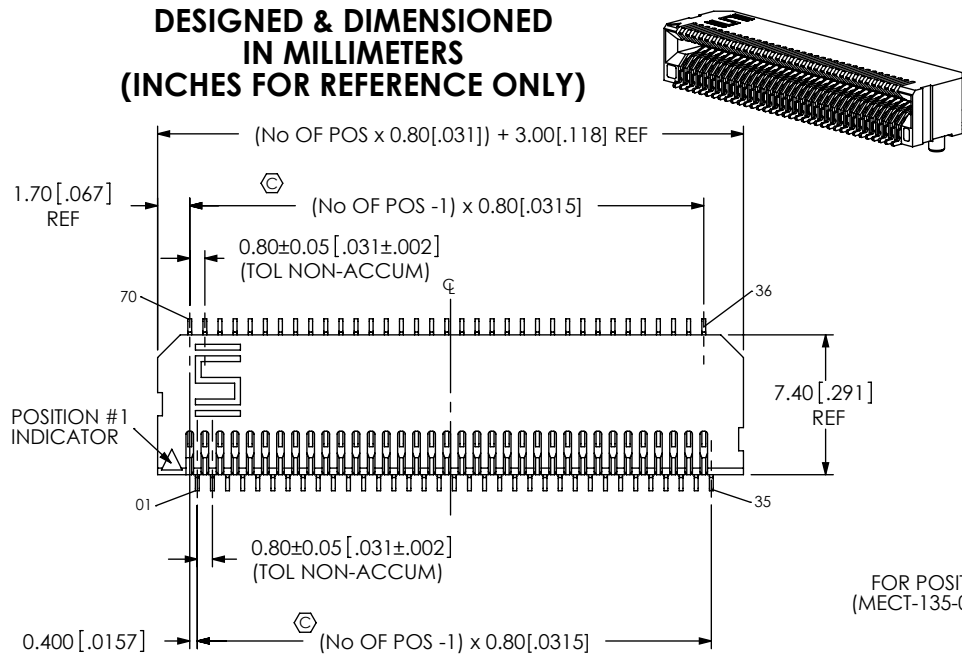


DO NOT SCALE FROM THIS PRINT

**DESIGNED & DIMENSIONED  
IN MILLIMETERS  
(INCHES FOR REFERENCE ONLY)**



**MECT-1XX-XX-XX-D-RAX-XX**

NO OF POSITIONS  
-10, -15, -20, -35  
(PER ROW)

OPTION  
-TR: TAPE & REEL

CARD THICKNESS  
-01: 1mm [.039] THICK CARD  
(USE MECT-XX-01-D-RAX)

TAIL OPTION  
-RA1: STANDARD (SEE FIG. 1)  
(USE MECT-XX-01-D-RA1,  
C-173-01-X & C-174-04-X)  
\*-RA2: ELEVATED (SEE FIG. 2)  
(USE MECT-XX-01-D-RA2,  
C-173-02-X & C-174-02-X)

**PLATING**

-M: SELECTIVE MEDIUM GOLD  
(USE C-173-XX-M & C-174-XX-M)  
-S: SELECTIVE GOLD  
(USE C-173-XX-S & C-174-XX-S)  
-MM: SELECTIVE MEDIUM GOLD, MATTE  
TIN TAIL (USE C-173-XX-M & C-174-XX-M)  
-SM: SELECTIVE GOLD, MATTE TIN  
TAIL (USE C-173-XX-S & C-174-XX-S)

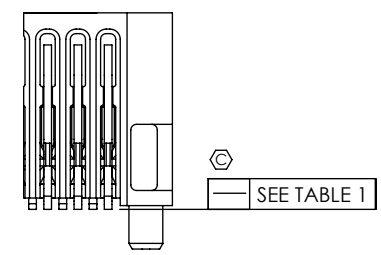
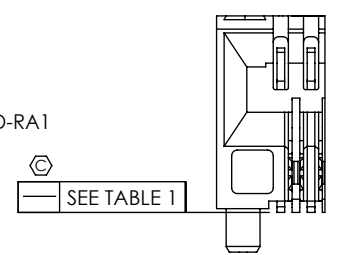
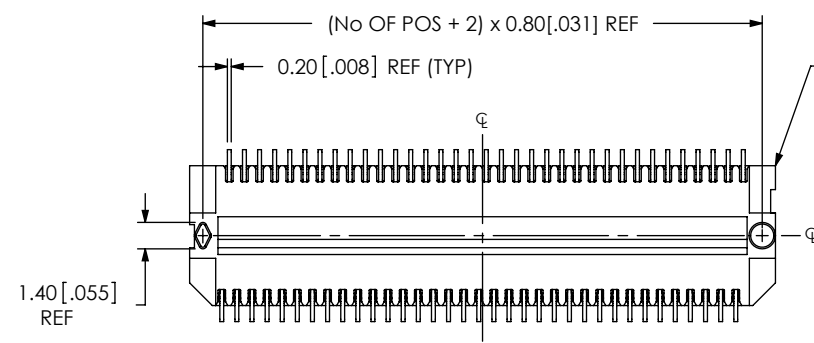
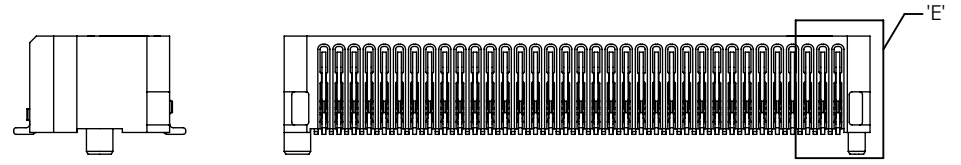
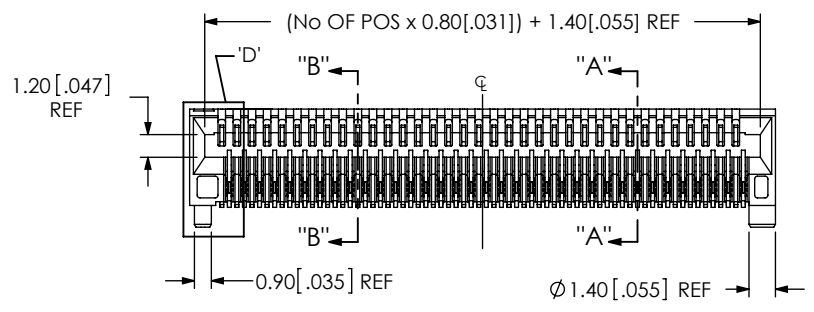
ROW SPECIFICATION  
-D: DOUBLE  
(USE MECT-XX-XX-D-RAX)

\* = NOT TOOLED

**TABLE 1**

NO OF POS	COPLANARITY	STRAIGHTNESS ROW 1	STRAIGHTNESS ROW 2
-10 THRU -35	0.102[.0040]	0.102[.0040]	0.102[.0040]
-40 & -50	0.152[.0060]	0.152[.0060]	0.152[.0060]

**FIG 1**  
FOR POSITIONS -10, -20 & -35  
(MECT-135-01-XX-D-RA1 SHOWN)



- NOTES:
1. Ⓢ REPRESENTS A CRITICAL DIMENSION.
  2. MAXIMUM BURR ALLOWANCE: 0.381[.0015].
  3. MINIMUM PUSHOUT FORCE: .5 LB.

<p>UNLESS OTHERWISE SPECIFIED, DIMENSIONS ARE IN MILLIMETERS. TOLERANCES ARE:</p> <p>DECIMALS ANGLES</p> <p>.X: ±.3 [.01] 2°</p> <p>.XX: ±.13 [.005]</p> <p>.XXX: ±.051 [.0020]</p>	<p><b>PROPRIETARY NOTE</b></p> <p>THIS DOCUMENT CONTAINS INFORMATION CONFIDENTIAL AND PROPRIETARY TO SAMTEC, INC. AND SHALL NOT BE REPRODUCED OR TRANSFERRED TO OTHER DOCUMENTS OR DISCLOSED TO OTHERS OR USED FOR ANY PURPOSE OTHER THAN THAT WHICH IT WAS OBTAINED WITHOUT THE EXPRESSED WRITTEN CONSENT OF SAMTEC, INC.</p>		
		<p>520 PARK EAST BLVD, NEW ALBANY, IN 47150 PHONE: 812-944-6733 FAX: 812-948-5047 e-Mail: info@SAMTEC.com code: 55322</p>	
<p><b>MATERIAL:</b> DO NOT SCALE DRAWING SHEET SCALE: 2.5:1</p> <p>INSULATOR: LCP, COLOR: BLACK CONTACT: PHOS BRONZE</p>	<p>DESCRIPTION: 0.8mm [.031"] RIGHT ANGLE EDGE CARD ASSEMBLY</p> <p>DWG. NO. <b>MECT-1XX-XX-XX-D-RAX-XX</b></p>		
	BY: KEVIN B	10/18/01	SHEET 1 OF 3

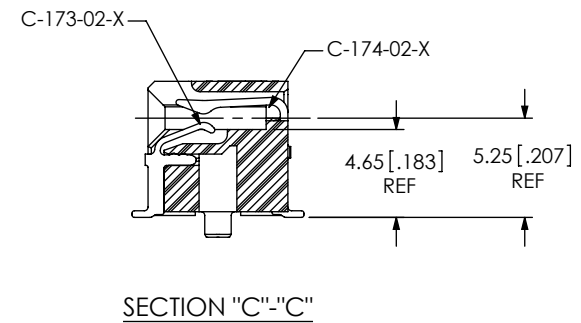
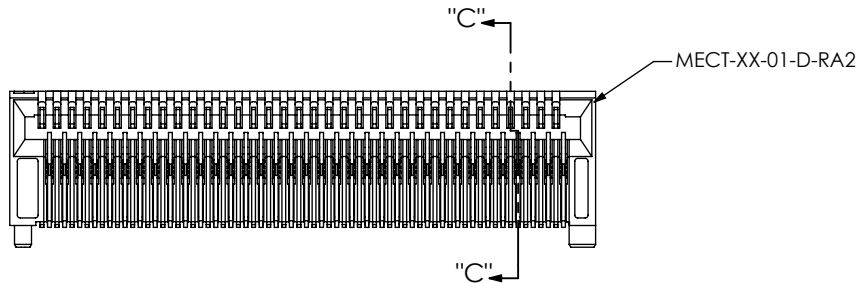
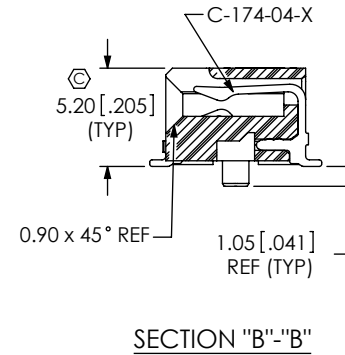
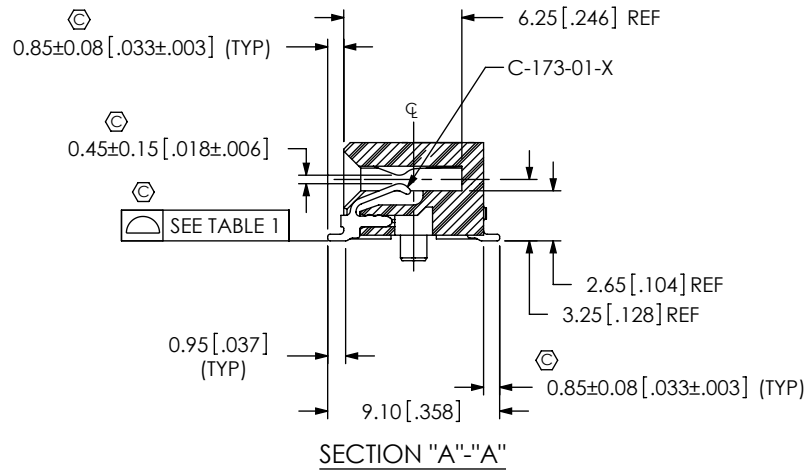


FIG 2  
-RA2: ELEVATED OPTION  
(SAME AS FIG 2, UNLESS OTHERWISE STATED)  
(MECT-135-01-XX-D-RA2 SHOWN)  
\* = NOT TOOLED

F:\DWG\MISC\MKTG\MECT-1XX-XX-XX-D-RAX-XX-MKT.SLDDRW

**PROPRIETARY NOTE**  
THIS DOCUMENT CONTAINS INFORMATION CONFIDENTIAL AND PROPRIETARY TO SAMTEC, INC. AND SHALL NOT BE REPRODUCED OR TRANSFERRED TO OTHER DOCUMENTS OR DISCLOSED TO OTHERS OR USED FOR ANY PURPOSE OTHER THAN THAT WHICH IT WAS OBTAINED WITHOUT THE EXPRESSED WRITTEN CONSENT OF SAMTEC, INC.

DO NOT SCALE DRAWING

SHEET SCALE: 1:0.4

**samtec**

520 PARK EAST BLVD, NEW ALBANY, IN 47150  
PHONE: 812-944-6733 FAX: 812-948-5047  
e-Mail: info@SAMTEC.com code: 55322

DESCRIPTION:  
0.8mm [.031"] RIGHT ANGLE EDGE CARD ASSEMBLY

DWG. NO.  
**MECT-1XX-XX-XX-D-RAX-XX**

BY: KEVIN B 10/18/01 SHEET 2 OF 3

**PACKAGING VIEWS**  
(LOAD PARTS WITH POSITION #1 INDICATOR  
IN SAME DIRECTION AS ARROW ON TUBE)

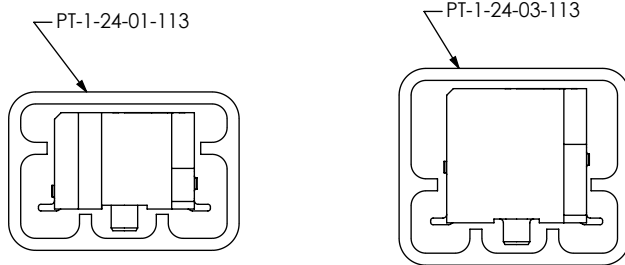


TABLE 3		
TAIL OPTION	TUBE	PLUG (2 PER TUBE)
-RA1	PT-1-24-01-113	TP-03
* -RA2	PT-1-24-03-113	TP-03

\* = NOT TOOLED

**-TR OPTION**

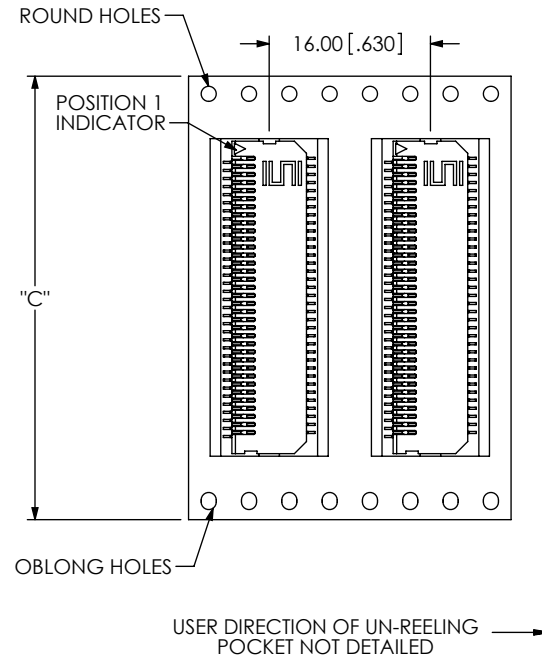



TABLE 4	
POSITION	"C"
-10	24.00 [.944]
-15	32.00 [1.260]
-20	32.00 [1.260]
-35	44.00 [1.732]

**PROPRIETARY NOTE**  
THIS DOCUMENT CONTAINS INFORMATION  
CONFIDENTIAL AND PROPRIETARY TO  
SAMTEC, INC. AND SHALL NOT BE REPRODUCED  
OR TRANSFERRED TO OTHER DOCUMENTS OR  
DISCLOSED TO OTHERS OR USED FOR ANY  
PURPOSE OTHER THAN THAT WHICH IT WAS  
OBTAINED WITHOUT THE EXPRESSED WRITTEN  
CONSENT OF SAMTEC, INC.

DO NOT SCALE DRAWING

SHEET SCALE: 1:0.4



520 PARK EAST BLVD, NEW ALBANY, IN 47150  
PHONE: 812-944-6733 FAX: 812-948-5047  
e-Mail: info@SAMTEC.com code: 55322

DESCRIPTION:  
0.8mm [.031"] RIGHT ANGLE EDGE CARD ASSEMBLY

DWG. NO.  
**MECT-1XX-XX-XX-D-RAX-XX**

BY: KEVIN B 10/18/01 SHEET 3 OF 3