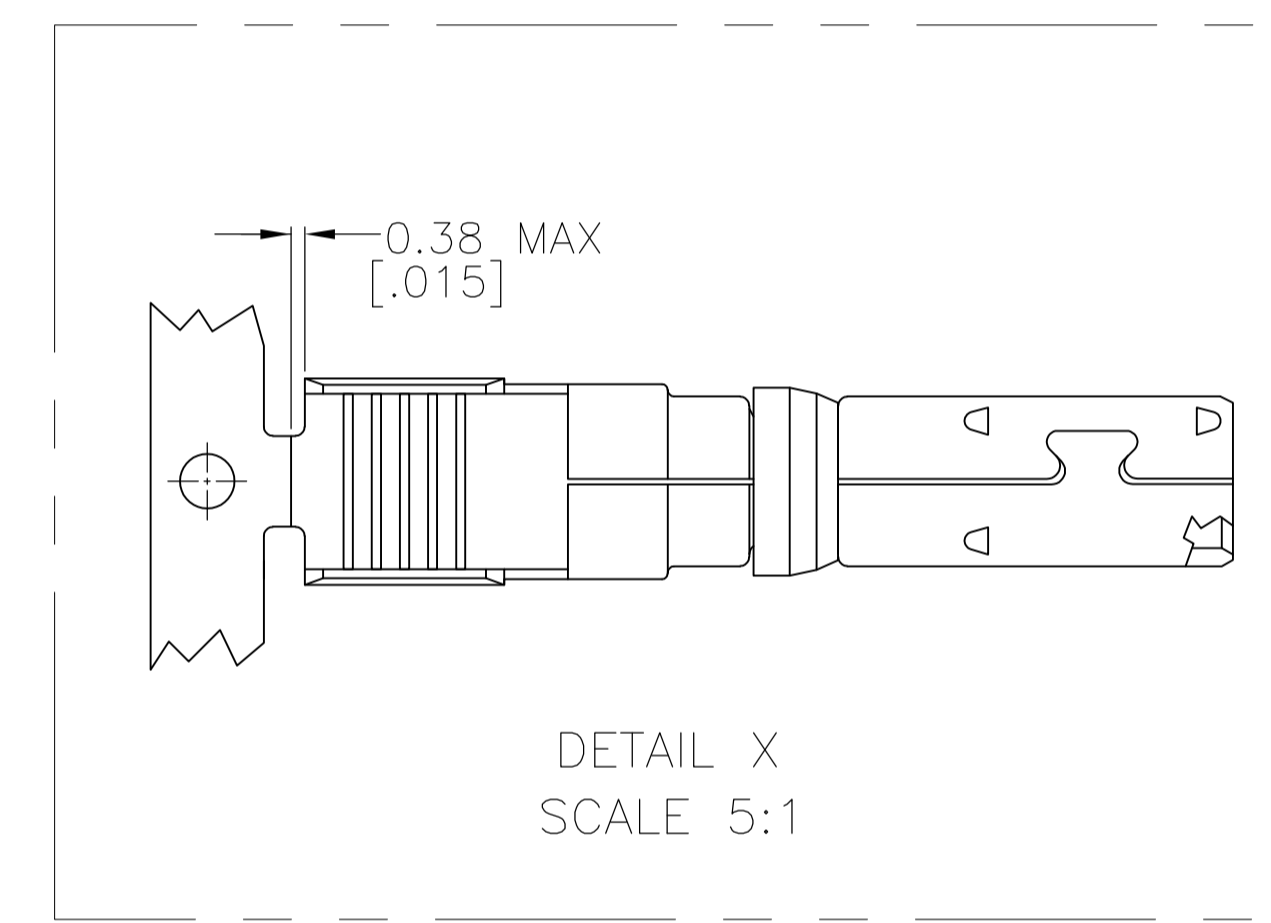


- △ 1 WIRE SIZE AND AMP LOGO APPEAR ON OUTSIDE OF WIRE BARREL.
- △ 2 SOCKET CONTACT: 0.38[m] [.000015] MIN GOLD PER MIL-G-45204 ON CONTACT MATING END, GOLD FLASH ON REMAINDER , ALL OVER 1.27[m] [.000050] MIN NICKEL PER QQ-N-390.
CONTACT STRIP: 0.76[m] [.000030] MIN GOLD PER MIL-G-45204 OVER 1.02[m] [.000040] MIN NICKEL PER QQ-N-390.
RETENTION CLIP: 2.54[m] [.000100] MIN NICKEL PER QQ-N-290.
- △ 3 RETENTION CLIP: PHOSPHOR BRONZE PER QQ-B-750.
SOCKET CONTACT: COPPER PER QQ-C-576.
CONTACT STRIP: BERYLLIUM COPPER PER QQ-C-533.
- △ 4 SOCKET CONTACT: 1.27[m] [.000050] MIN SILVER PER QQ-S-365, ALL OVER 1.27[m] [.000050] MIN NICKEL PER QQ-N-290.
CONTACT STRIP: 5.08[m] [.000200] MIN SILVER PER QQ-S-365, ALL OVER 1.02[m] [.000040] MIN NICKEL PER QQ-N-290.
RETENTION CLIP: 2.54[m] [.000100] MIN NICKEL PER QQ-N-290.
- △ 5 CONTACTS WITHOUT RETENTION CLIPS ARE TO BE USED ONLY WITH THE FORGE DRAWER CONNECTORS.



NO	△ 4	DETAIL X	213843-7
	△ 4	-	213843-5
YES	△ 2	DETAIL X	213843-4
	△ 4	DETAIL X	213843-3
	△ 2	-	213843-2
RETENTION CLIP	△ 4	-	213843-1
	FINISH	LOOSE PIECE	PART NUMBER

THIS DRAWING IS A CONTROLLED DOCUMENT.

DIMENSIONS: mm [INCHES]	TOLERANCES UNLESS OTHERWISE SPECIFIED:	DMN: C. OBERMAN 21 MAR 96	APVD: G. STEINHÄUER 26 MAR 96	NAME: SOCKET CONTACT ASSEMBLY, 8-10 AWG, POWERBAND, METRIMATE
0 PLC ± -	1 PLC ± -	2 PLC ± -	3 PLC ± -	4 PLC ± -
ANGLES ± -	SEE TABLE	WEIGHT: -	SIZE: A1	CAGE CODE: 00779
MATERIAL: △ 3	SEE TABLE	CUSTOMER DRAWING	SCALE: 10:1	SHEET: 1 OF 1

STE TE Connectivity