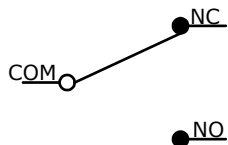


P.C. MOUNTING

▲	O.P. (MM)	P.T. (MM)
⬡	6.6 ± 0.7	1.8 MAX.

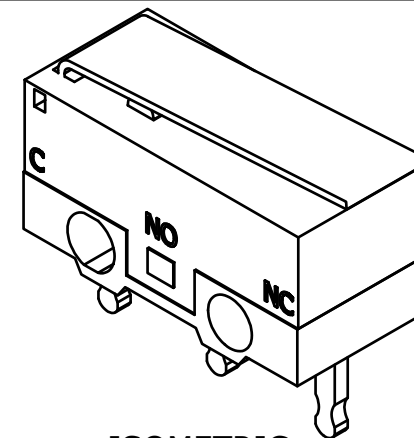
O.P. = OPERATING POINT
P.T. = PRE-TRAVEL



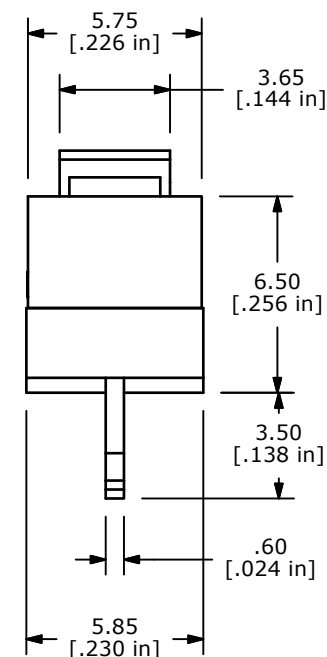
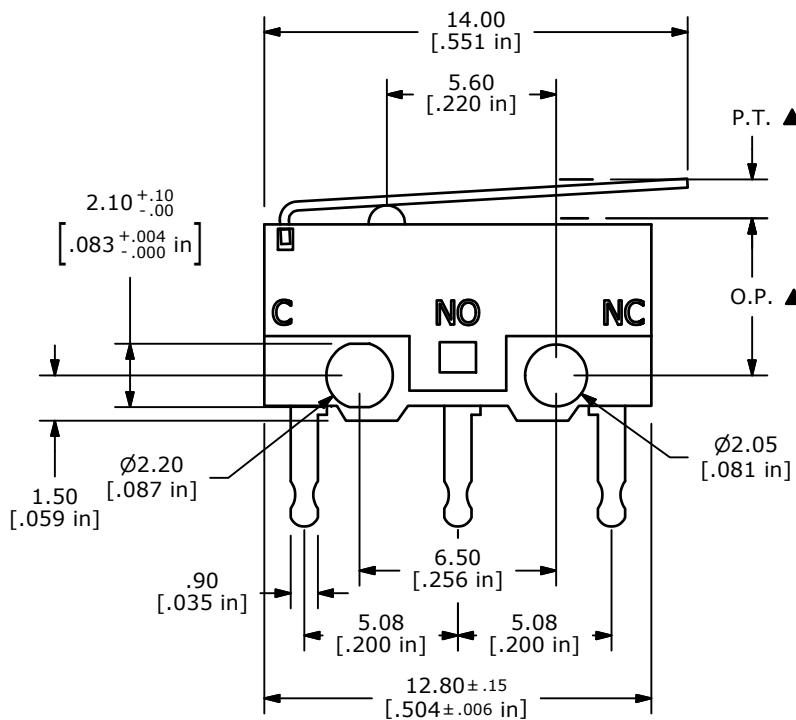
CIRCUIT: SPDT

NOTES:

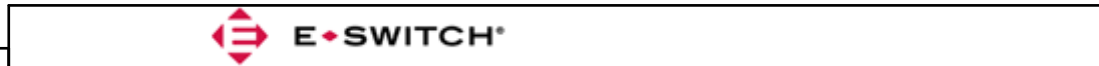
- ALL DIMENSIONS IN MM [INCH]
- GENERAL TOLERANCE: X.X=± 0.4
X.XX=± 0.25
- ▲3. RATING: 1A @125VAC UL, CSA APPROVED
- ▲4. OPERATING FORCE: 45± 8 GRAMS
5. OPERATING TEMP: -25°C TO 85°C
6. ELECTRICAL LIFE: 10,000 CYCLES MIN.
7. MECHANICAL LIFE: 300,000 CYCLES MIN.
8. INSULATION RESISTANCE: 100 MEGA-OHMS
9. DIELECTRIC STRENGTH: 1000V RMS AT SEA LEVEL
- ▲10. ▲ DENOTES CRITICAL PARAMETER.
11. 2002/95/EC (ROHS) COMPLIANT
12. CONTACT MATERIAL SILVER



ISOMETRIC



REV	PCR NO	DESCRIPTION	DATE	BY
D	20203	UPDATE DRAWING	10/11/11	BMA
C	17477	REVISED AND REDRAWN	7/16/07	BF



TITLE	DM0850101F045P1A								
SCALE	4:1	DATE	7/16/2007	DR	BF	DWG	P030004	REV	D

THE INFORMATION CONTAINED IN THIS DOCUMENT IS PROPRIETARY TO E-SWITCH AND IS NOT TO BE COPIED OR TRANSFERRED