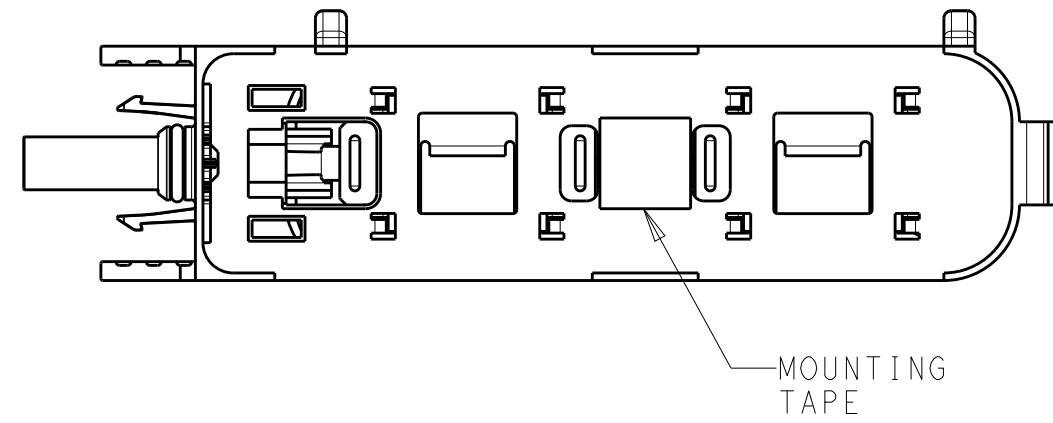
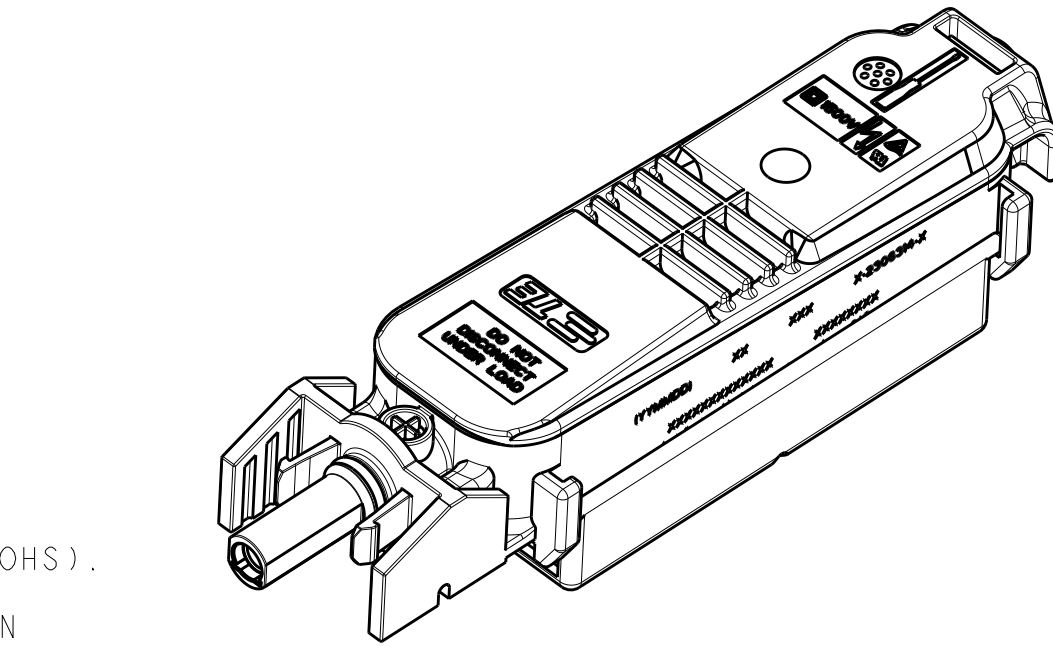


THIS DRAWING IS UNPUBLISHED. RELEASED FOR PUBLICATION
 © COPYRIGHT copyright.d8Te- ALL RIGHTS RESERVED.

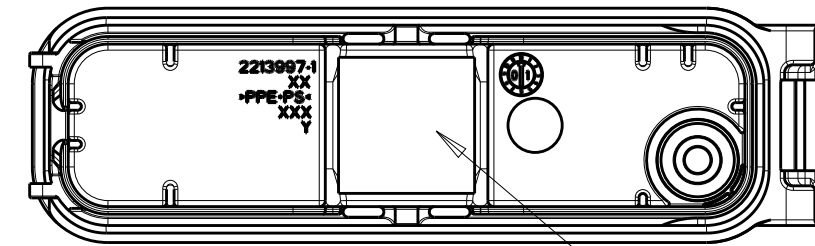
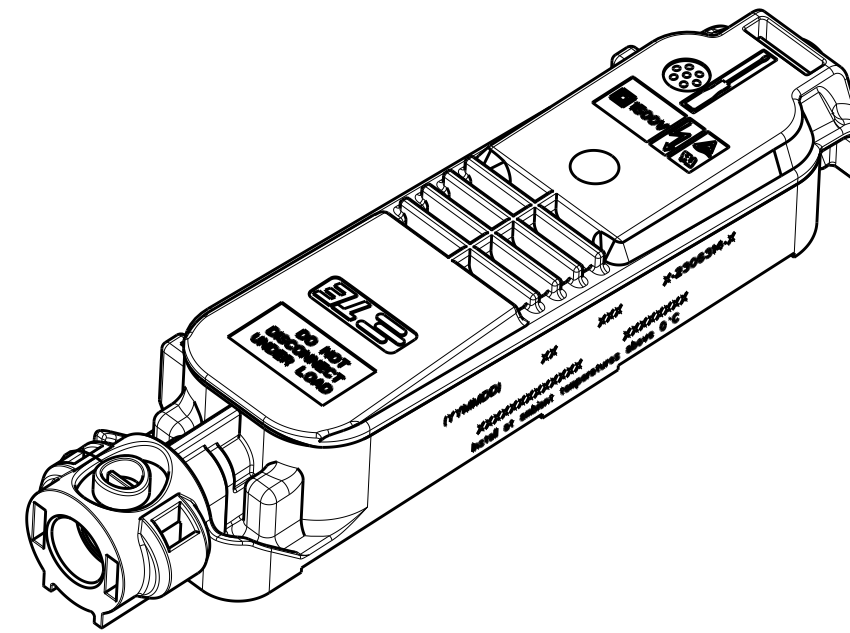
REVISIONS				
P	LTR	DESCRIPTION	DATE	APVD
A		RELEASED FOR PRODUCTION	23OCT2017	RK PO

NOTES:

- 1 LID NOT ASSEMBLED WITH LOWER PART. ENCLOSED LOOSELY
- 2 FLAP NOT ASSEMBLED WITH LOWER PART. ENCLOSED LOOSELY
- 3 PART NUMBER.
- 4 PRODUCTION DATE (YYMMDD)
- 5 MANUFACTURING LOCATION CODE.
- 6 FOIL CLIP INSTALLED ON BOX CONTACT RAILS.
- 7 MODEL CODE ACCORDING TE-SPEC. 404-74000-1
- 8 CONSECUTIVE SERIAL NUMBER
- 9 TEST EQUIPMENT NUMBER
- 10 DIODES WELDED ON CONTACT RAIL
- 11. MUST COMPLY WITH DIRECTIVE 2002/95/EC (ROHS).
- 12. THIS PRODUCT HAS NOT COMPLETED VALIDATION TESTING.



BOTTOM VIEW OF TYPICAL ASSEMBLY WHEN MOUNTING TAPE IS APPLIED



BOTTOM VIEW OF LID SUBASSEMBLY WHEN THERMAL INTERFACE MATERIAL IS APPLIED

BLACK	PPE+PS	EDGE FLAP	12	2
TIN OVER NICKEL	COPPER ALLOY	INTERFACE CONTACT-SOCKET	11	
TIN OVER NICKEL	COPPER ALLOY	INTERFACE CONTACT-PIN	10	
-	-	THERMAL INTERFACE MATERIAL	9	
-	-	BYPASS DIODE: TYPE SL2020A	8	
GRAY	PPE+PS	MEMBRANE RETAINER	7	
-	-	MEMBRANE VENT	6	
PLAIN	STAINLESS STEEL	FOIL CLIP	5	6
TIN	COPPER ALLOY	CONTACT RAIL	4	
BLACK	PPE+PS	BOX, LOWER HOUSING	3	
RED	SILICONE	O-RING SEAL	2	
BLACK	PPE+PS	BOX, LID	1	1
COLOR/FINISH	MATERIAL	DESCRIPTION	ITEM NO.	

PVEDGE2GGA1V_1	36.0	NORTH/SOUTH	YES	YES	3-2306314-5
PVEDGE2DGA1V_1	55.2	NORTH/SOUTH	YES	YES	3-2306314-2
PVEDGE2FGA1V_1	58.7	NORTH/SOUTH	YES	YES	3-2306314-1
PVEDGE2GGA1V_1	36.0	NORTH/SOUTH	NO	YES	2-2306314-5
PVEDGE2DGA1V_1	55.2	NORTH/SOUTH	NO	YES	2-2306314-2
PVEDGE2FGA1V_1	58.7	NORTH/SOUTH	NO	YES	2-2306314-1
PVEDGE2GGA1T_1	36.0	NORTH/SOUTH	YES	NO	1-2306314-5
PVEDGE2DGA1T_1	55.2	NORTH/SOUTH	YES	NO	1-2306314-2
PVEDGE2FGA1T_1	58.7	NORTH/SOUTH	YES	NO	1-2306314-1
PVEDGE2GGA1T_1	36.0	NORTH/SOUTH	NO	NO	2306314-5
PVEDGE2DGA1T_1	55.2	NORTH/SOUTH	NO	NO	2306314-2
PVEDGE2FGA1T_1	58.7	NORTH/SOUTH	NO	NO	2306314-1
MODEL CODE	DIM X	PV PANEL FOIL DIRECTION	MOUNTING TAPE	THERMAL INTERFACE MATERIAL	PART NO.

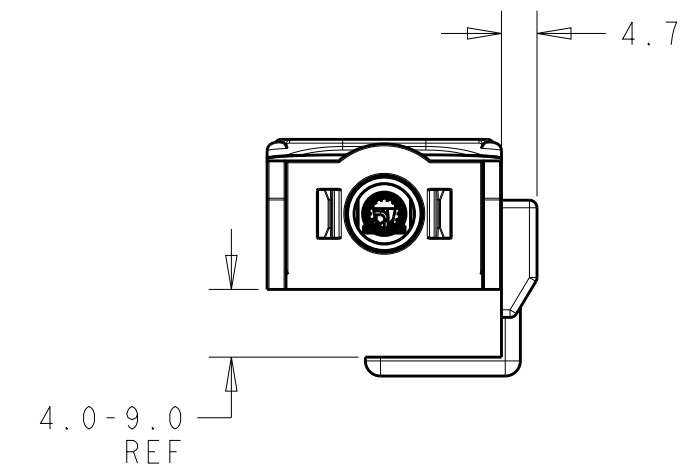
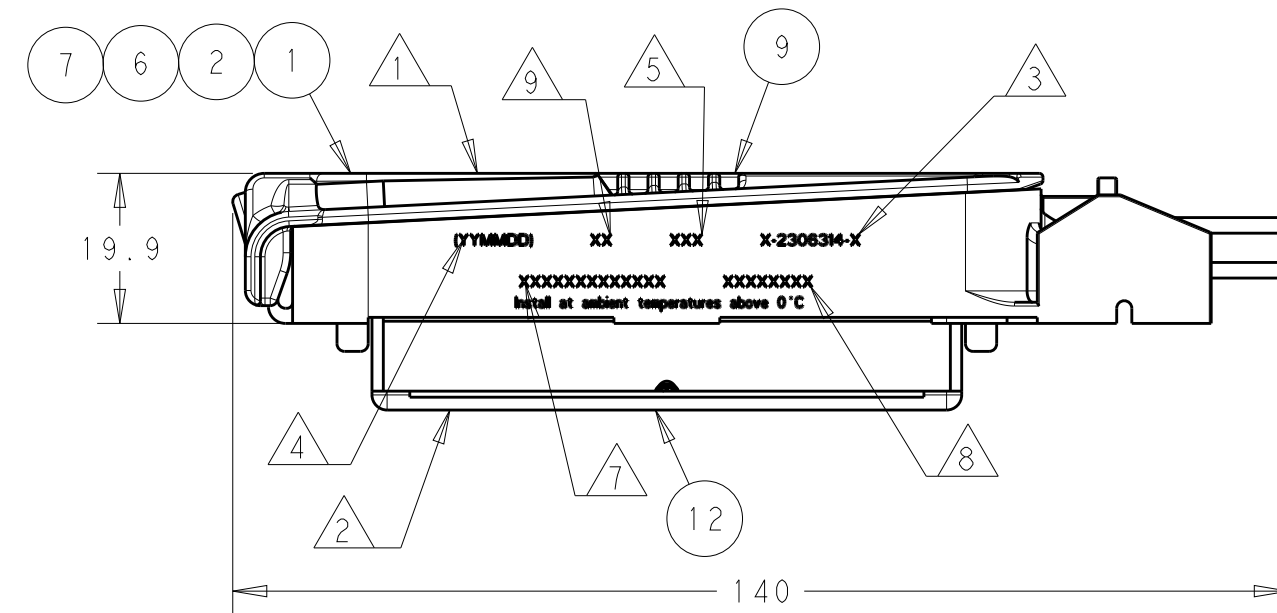
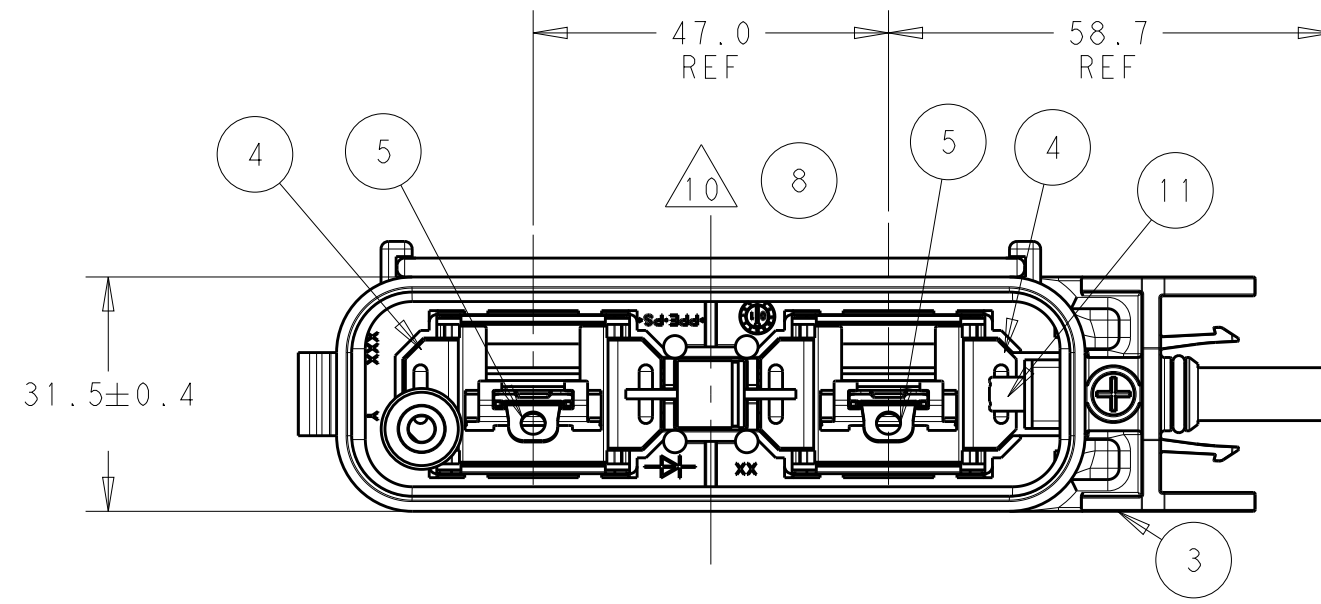
THIS DRAWING IS A CONTROLLED DOCUMENT.

DIMENSIONS: mm	TOLERANCES UNLESS OTHERWISE SPECIFIED:	DWN RAVL S 16 JUL 2016	 TE Connectivity
	0 PLC ±0.50	CHK GINGRICH CHUCK 16 JUL 2016	
	1 PLC ±0.25	APVD GINGRICH CHUCK 16 JUL 2016	
	2 PLC ±0.13	PRODUCT SPEC 108-32122	
MATERIAL	3 PLC ±	APPLICATION SPEC 114-32157	NAME PV EDGE ASSEMBLY, WITH FLAP, S-CLIP
	4 PLC ANGLES ±	WEIGHT -	SIZE A2
	FINISH -	CUSTOMER DRAWING	CAGE CODE -
		SCALE 5:1	DRAWING NO. C-2306314
		SHEET 1 OF 3	RESTRICTED TO -
		REV A	

THIS DRAWING IS UNPUBLISHED. RELEASED FOR PUBLICATION
 © COPYRIGHT copyright.d8te- ALL RIGHTS RESERVED.

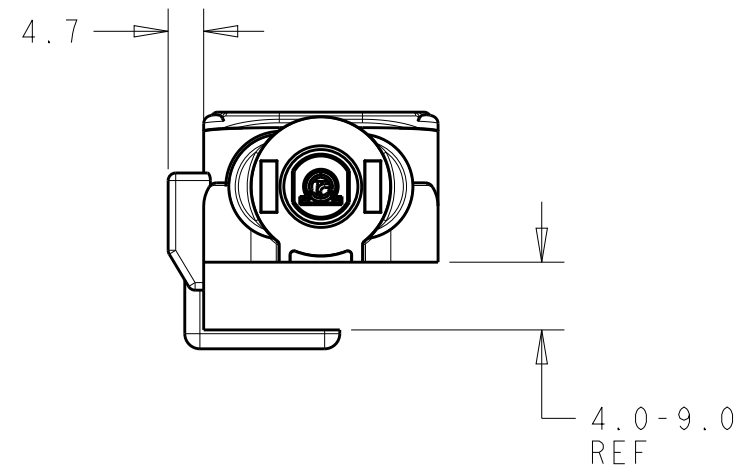
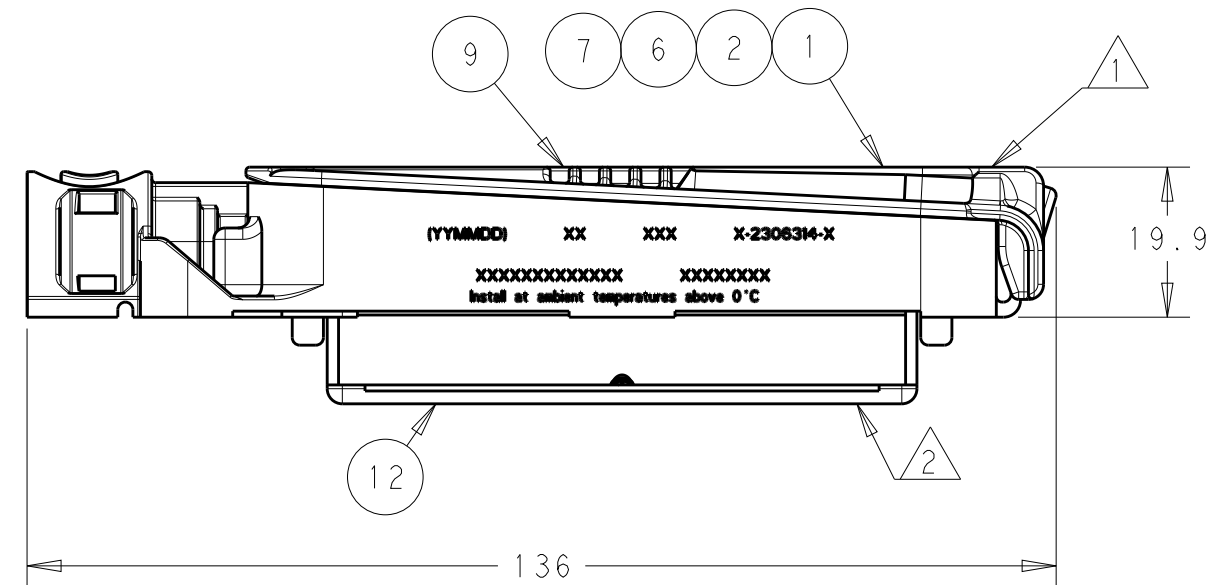
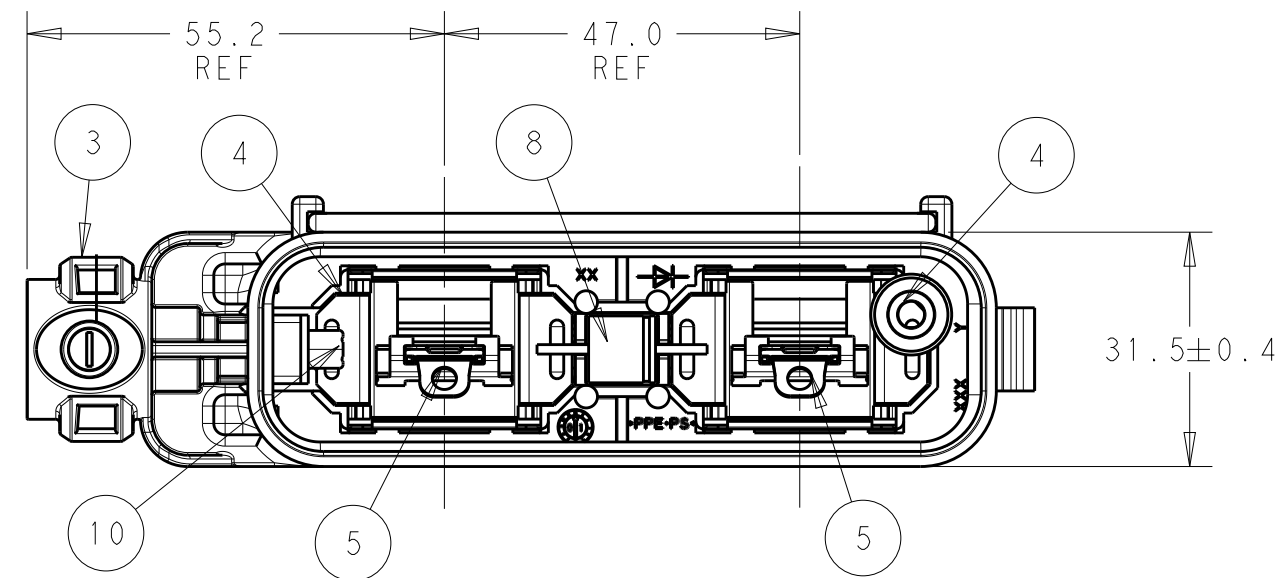
REVISIONS				
P	LTR	DESCRIPTION	DATE	APVD
-	-	SEE SHEET 1	-	-

LID NOT SHOWN FOR REFERENCE ONLY



2306314-1
 1-2306314-1
 2-2306314-1
 3-2306314-1
 SHOWN

LID NOT SHOWN FOR REFERENCE ONLY



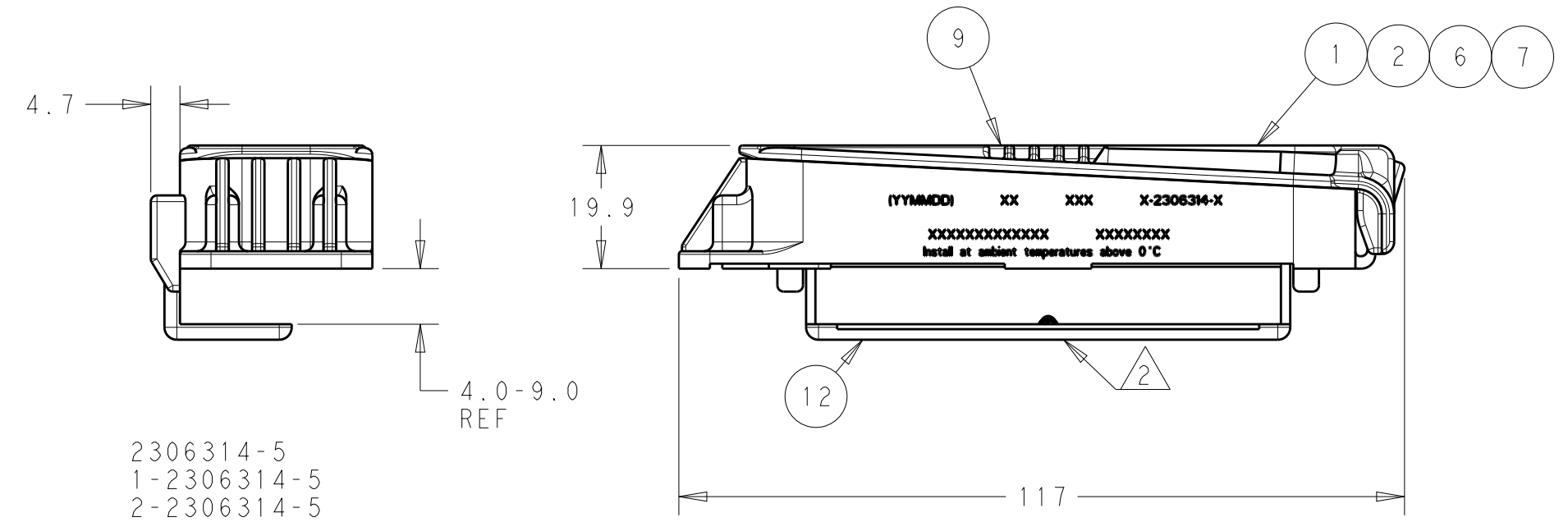
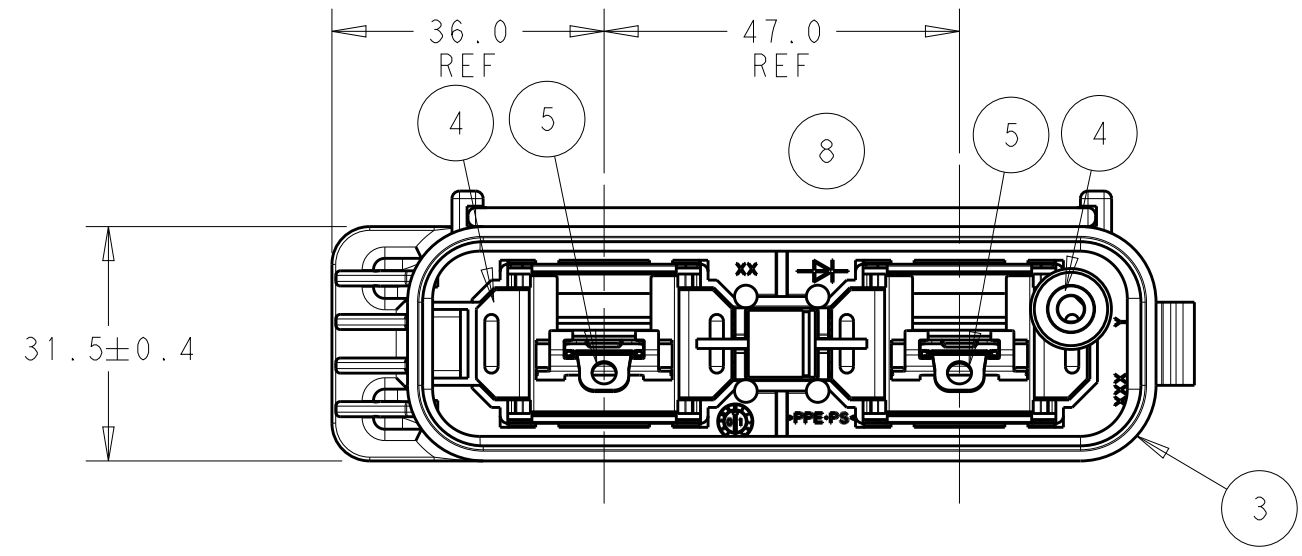
2306314-2
 1-2306314-2
 2-2306314-2
 3-2306314-2
 SHOWN

THIS DRAWING IS A CONTROLLED DOCUMENT.		DWN RAVI.S 16 JUL 2016	TE Connectivity	
DIMENSIONS: mm		CHK GINGRICH CHUCK 16 JUL 2016		
TOLERANCES UNLESS OTHERWISE SPECIFIED:		APVD GINGRICH CHUCK 16 JUL 2016	NAME PV EDGE ASSEMBLY, WITH FLAP, S-CLIP	
0 PLC ±0.50 1 PLC ±0.25 2 PLC ±0.13 3 PLC ± 4 PLC ± ANGLES ± FINISH -		PRODUCT SPEC 108-32122	SIZE A2	
MATERIAL		APPLICATION SPEC 114-32157	CAGE CODE -	DRAWING NO C-2306314
		WEIGHT -	RESTRICTED TO -	
		CUSTOMER DRAWING	SCALE 5:1	SHEET 2 OF 3
			REV A	

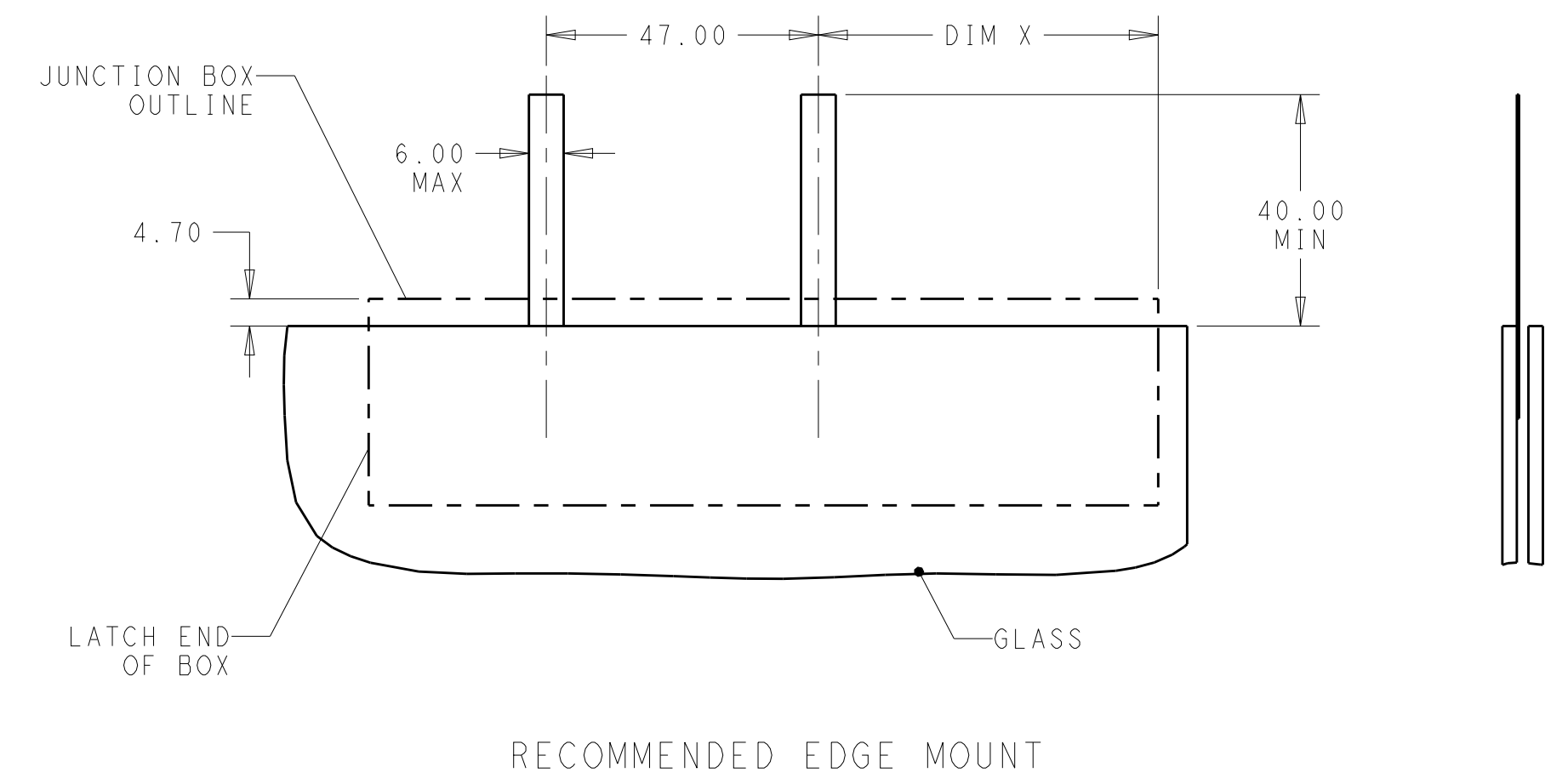
THIS DRAWING IS UNPUBLISHED. RELEASED FOR PUBLICATION
 © COPYRIGHT copyright.d8te- ALL RIGHTS RESERVED.

REVISIONS				
P	LTR	DESCRIPTION	DATE	APVD
-	-	SEE SHEET 1	-	-

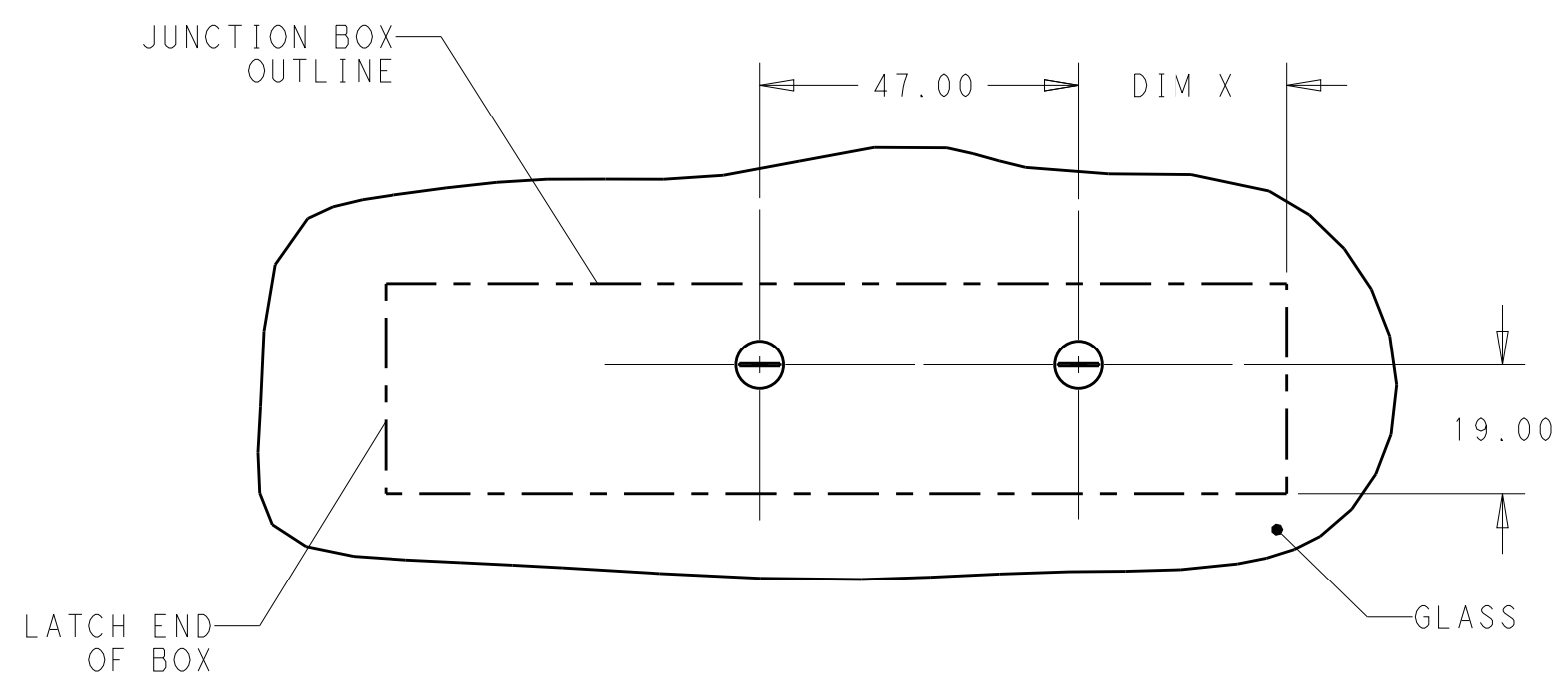
LID NOT SHOWN FOR REFERENCE ONLY



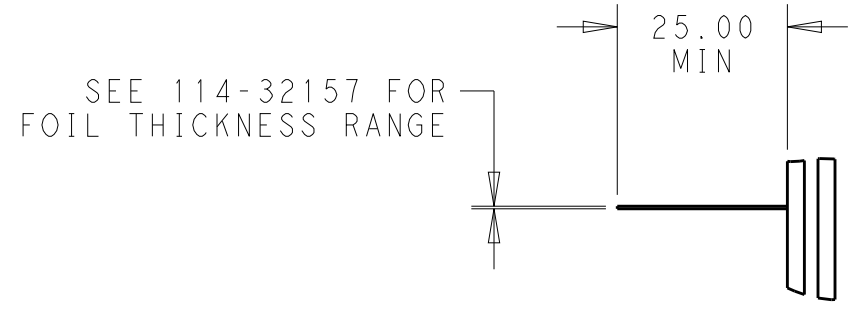
- 2306314-5
 - 1-2306314-5
 - 2-2306314-5
 - 3-2306314-5
- SHOWN



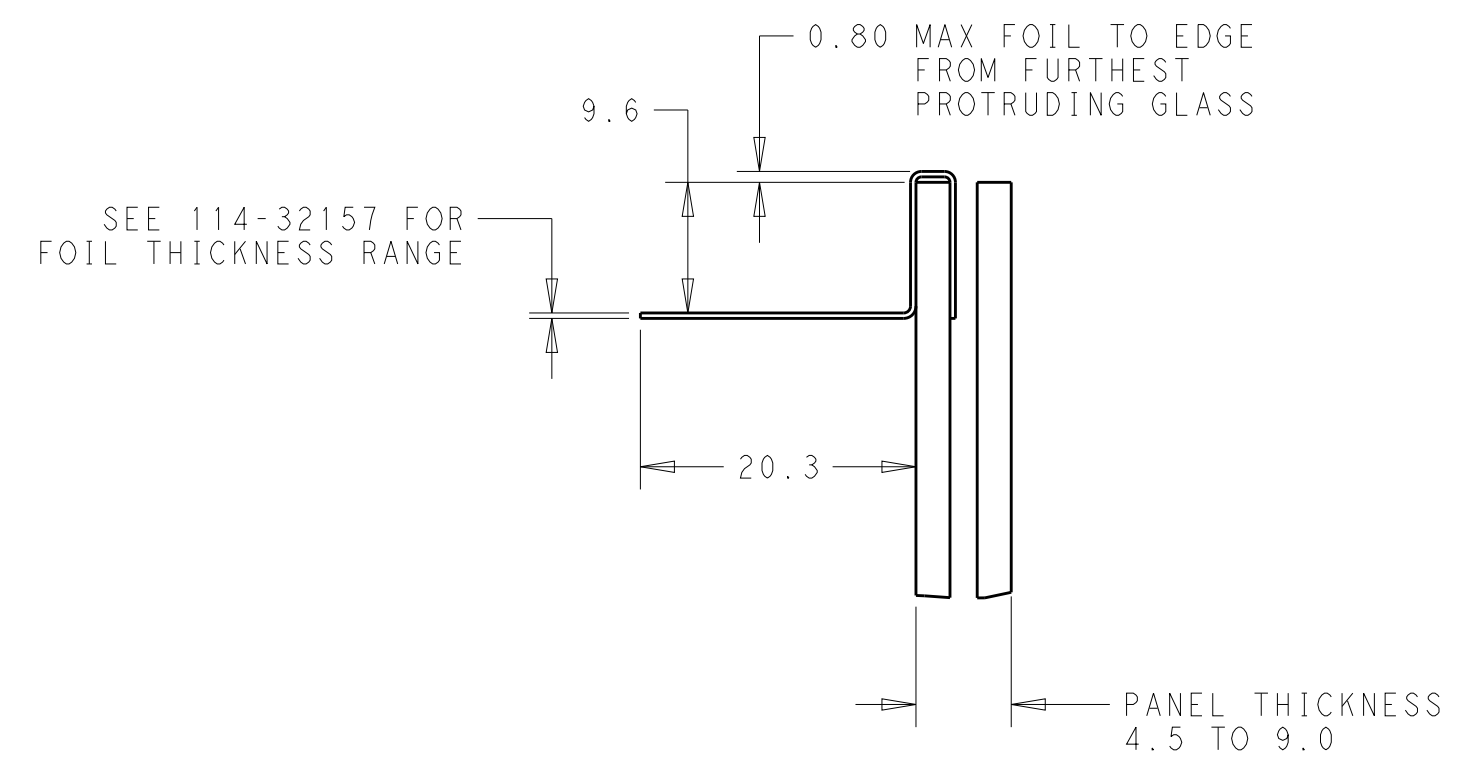
RECOMMENDED EDGE MOUNT



RECOMMENDED NON-EDGE MOUNT
(NORTH-SOUTH PV PANEL FOIL ORIENTATION)



SEE 114-32157 FOR FOIL THICKNESS RANGE



AS FORMED READY FOR ASSEMBLY OF JUNCTION BOX

THIS DRAWING IS A CONTROLLED DOCUMENT.		DWN RAVLS 16 JUL 2016	TE Connectivity	
DIMENSIONS: mm		CHK GINGRICH CHUCK 16 JUL 2016		
TOLERANCES UNLESS OTHERWISE SPECIFIED:		APVD GINGRICH CHUCK 16 JUL 2016	NAME PV EDGE ASSEMBLY, WITH FLAP, S-CLIP	
0 PLC ±0.50		PRODUCT SPEC 108-32122	SIZE A2	
1 PLC ±0.25		APPLICATION SPEC 114-32157	CAGE CODE -	
2 PLC ±0.13		WEIGHT -	DRAWING NO C-2306314	
3 PLC ±		CUSTOMER DRAWING	RESTRICTED TO -	
4 PLC ±		SCALE 5:1	SHEET 3 OF 3	
ANGLES ±		REV A		
FINISH -				