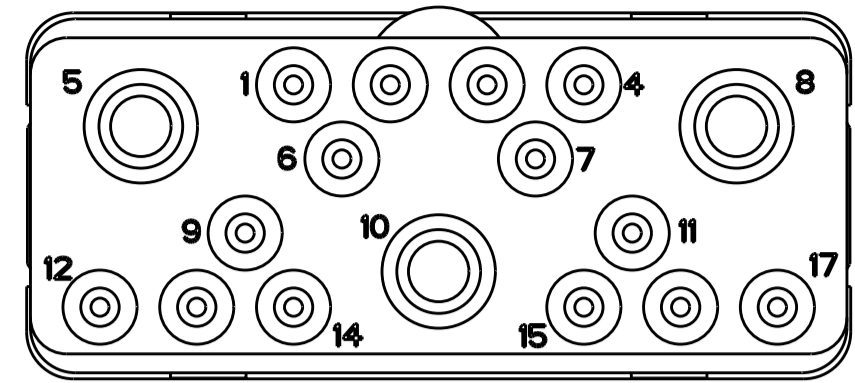
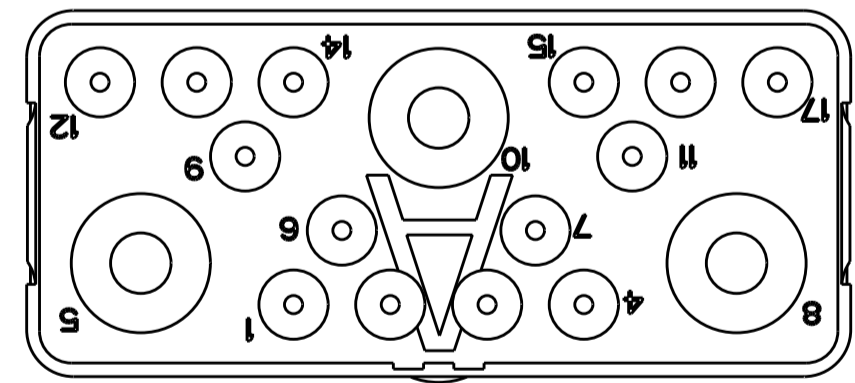
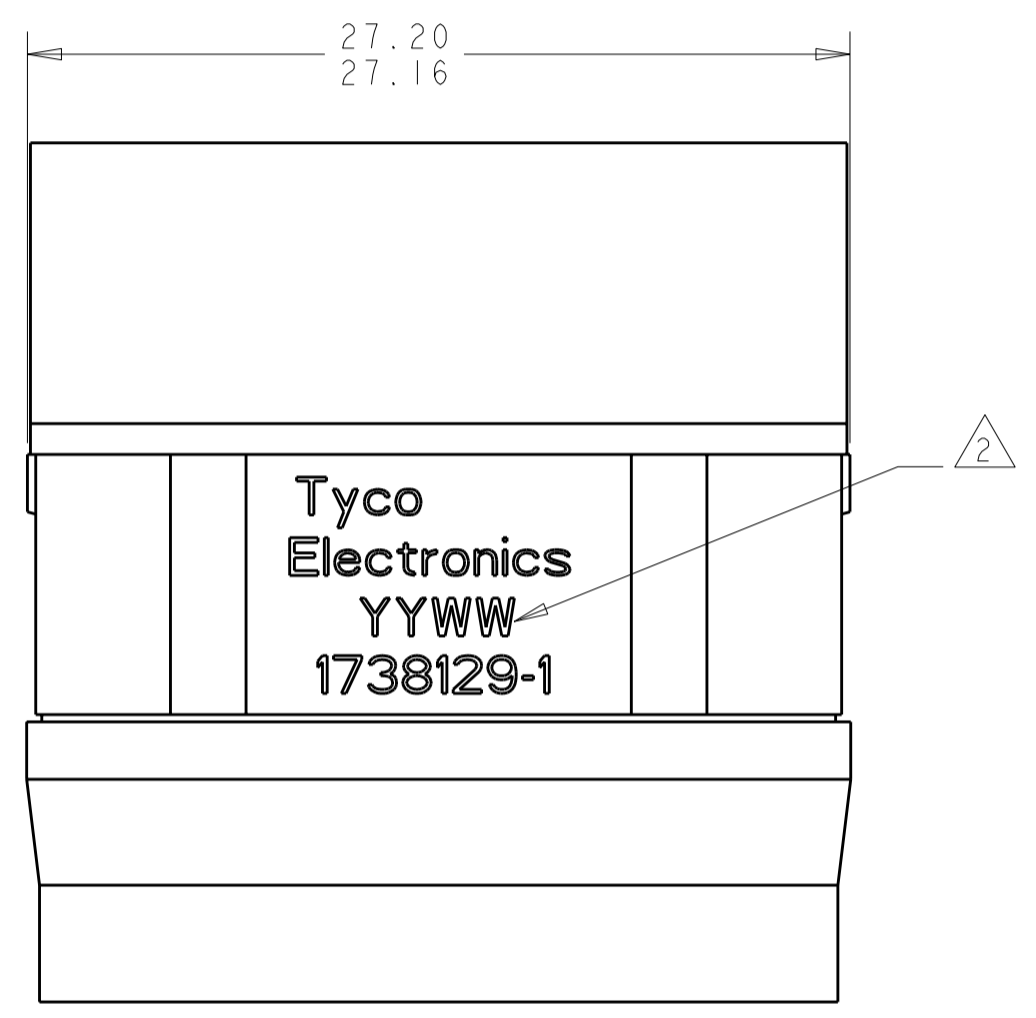
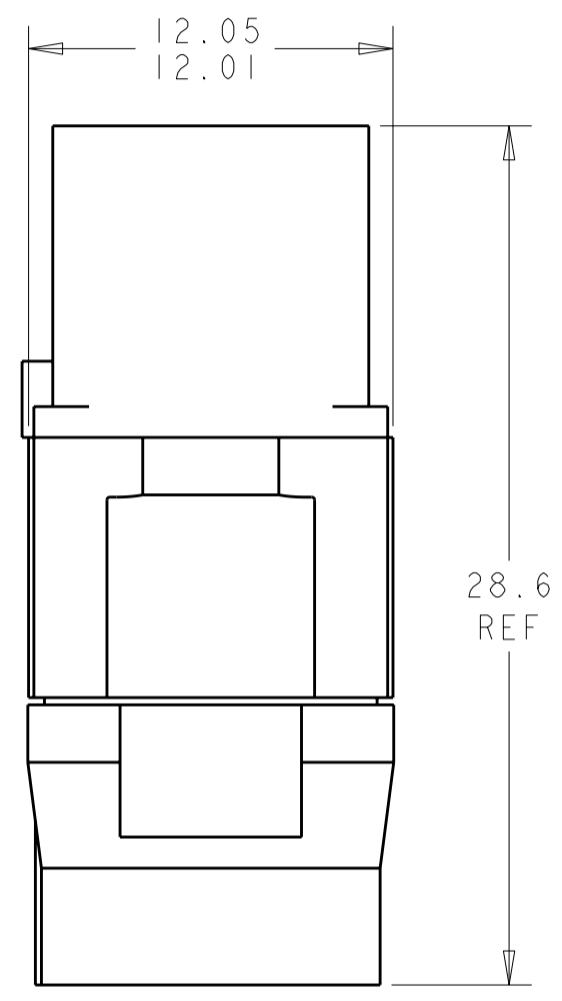


THIS DRAWING IS UNPUBLISHED. RELEASED FOR PUBLICATION 20
 © COPYRIGHT 20 BY TYCO ELECTRONICS CORPORATION. ALL RIGHTS RESERVED.

LOC	DIST	REVISIONS					
DF	A5	P	LTR	DESCRIPTION	DATE	DWN	APVD
		1		PROPOSED	-	-	-
		2		REVISED	27APR2010	RF	JM



MATING FACE



THIS PRINT IS
PRELIMINARY
 UNQUALIFIED PRODUCT
 CONTACT PRODUCT ENGINEERING
 BEFORE USING THIS PRINT

1 FRONT & REAR INSULATOR: HIGH-TEMP THERMOPLASTIC OR THERMOSET EPOXY PER ASTM D5948.
 CONTACT RETENTION CLIPS: STAINLESS STEEL PER AISI 302 OR COPPER ALLOY PER ASTM B194
 REAR GROMMET: FLUOROSILICONE ELASTOMER PER MIL-R-25988 B EXCEPT 4.6.6.1

2 DATE CODE: YEAR & WEEK (YY WW)

3. DESCRIPTIVE PART NUMBER GPRBE17SA
 THIS INSERT CONTAINS: 14 CAVITIES FOR SIZE 20 SOCKET CONTACTS
 3 CAVITIES FOR SIZE 12 SOCKET CONTACTS

4. THIS PRODUCT IS SOLD BY TYCO ELECTRONICS UNDER A LICENSE FROM RADIALL SA.

1738129-1
 PART NUMBER

THIS DRAWING IS A CONTROLLED DOCUMENT FOR TYCO ELECTRONICS CORPORATION IT IS SUBJECT TO CHANGE AND THE CONTROLLING ENGINEERING ORGANIZATION SHOULD BE CONTACTED FOR THE LATEST REVISION.		DWN	BH	29 JUN 2006	Tyco Electronics Harrisburg, PA 17105-3608	NAME		INSERT ASSEMBLY, SOCKET, ENVIRONMENTAL, ARRANGEMENT 17, KEY A, GPRB	
DIMENSIONS:		CHK	JPM	29 JUN 2006		PRODUCT SPEC		SIZE	A2
mm		APVD	JPM	29 JUN 2006		APPLICATION SPEC		CAGE CODE	00779
TOLERANCES UNLESS OTHERWISE SPECIFIED:		MATERIAL		FINISH		WEIGHT		DRAWING NO	1738129
0 PLC ±-		1 PLC ±0.1		2 PLC ±0.05		3 PLC ±-		RESTRICTED TO	
3 PLC ±-		4 PLC ±-		ANGLES ±1		CUSTOMER DRAWING		SCALE 4:1 SHEET 1 OF 1 REV 2	