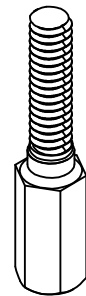
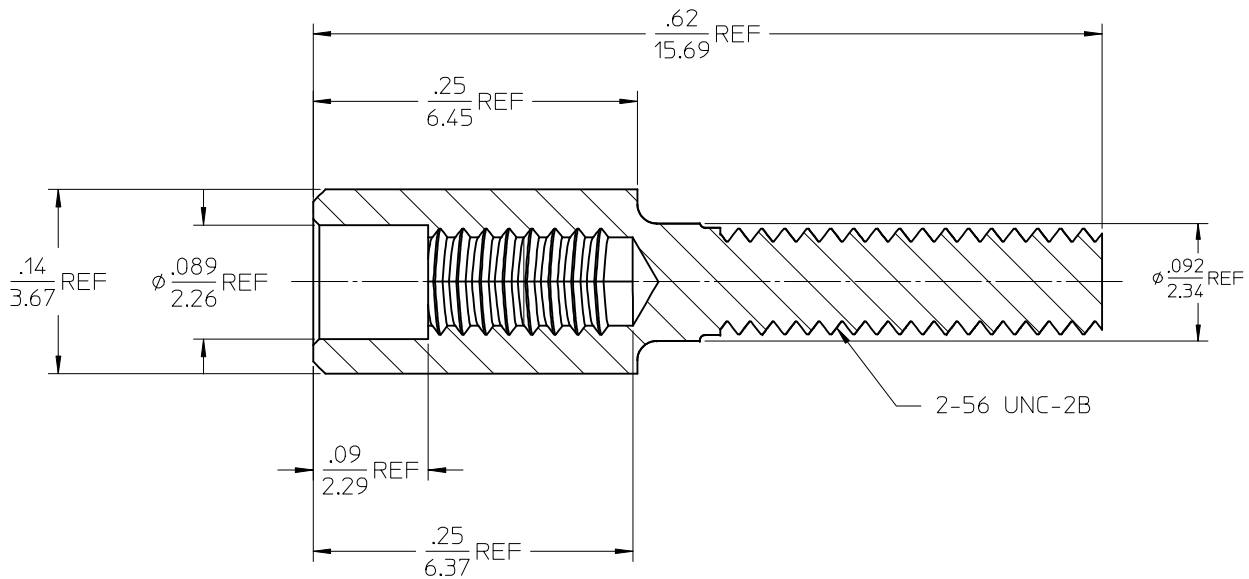
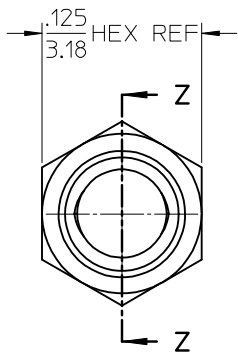


10 9 8 7 6 5 4 3 2 1



SECTION Z-Z

NOTES:

- 1) MATERIAL: STAINLESS STEEL 303, PASSIVATE PER QQ-P-35
- 2) 2.5 IN/LB TORQUE MAX, WHEN ATTACHING TO MOLEX HEADERS SERIES 83611, 83612, 83614, 83619.
- 3) RoHS COMPLIANT



ADD TORQUE NOTE. EC NO: IPGZ013-0078 DRWN: RUPERT CHKD: APPR: JFMURPHY 2012/10/15 2013/03/04	QUALITY SYMBOLS	GENERAL TOLERANCES (UNLESS SPECIFIED)		DIMENSION STYLE		SCALE	DESIGN UNITS	THIRD ANGLE PROJECTION
	▽=0 □=0	mm	INCH	IN/MM		10:1	INCH	
		4 PLACES ± --- ± ---	DRAWN BY	DATE	TITLE			
		3 PLACES ± --- ± .005	JLOMASTR	05/02/18	JACKPOST 2-56 THREAD			
	2 PLACES ± 0.13 ± .010	CHECKED BY	DATE					
	1 PLACE ± 0.25 ± ---	RDEROSS	05/02/18	MOLEX INCORPORATED				
	ANGULAR ± 1/2°	APPROVED BY	DATE					
	DRAFT WHERE APPLICABLE MUST REMAIN WITHIN DIMENSIONS	RDEROSS	05/02/18	MATERIAL NO.		DOCUMENT NO.		SHEET NO.
		830410005		SD-83041-005		1 OF 1		
		THIS DRAWING CONTAINS INFORMATION THAT IS PROPRIETARY TO MOLEX INCORPORATED AND SHOULD NOT BE USED WITHOUT WRITTEN PERMISSION						

9 8 7 6 5 4 3 2 1