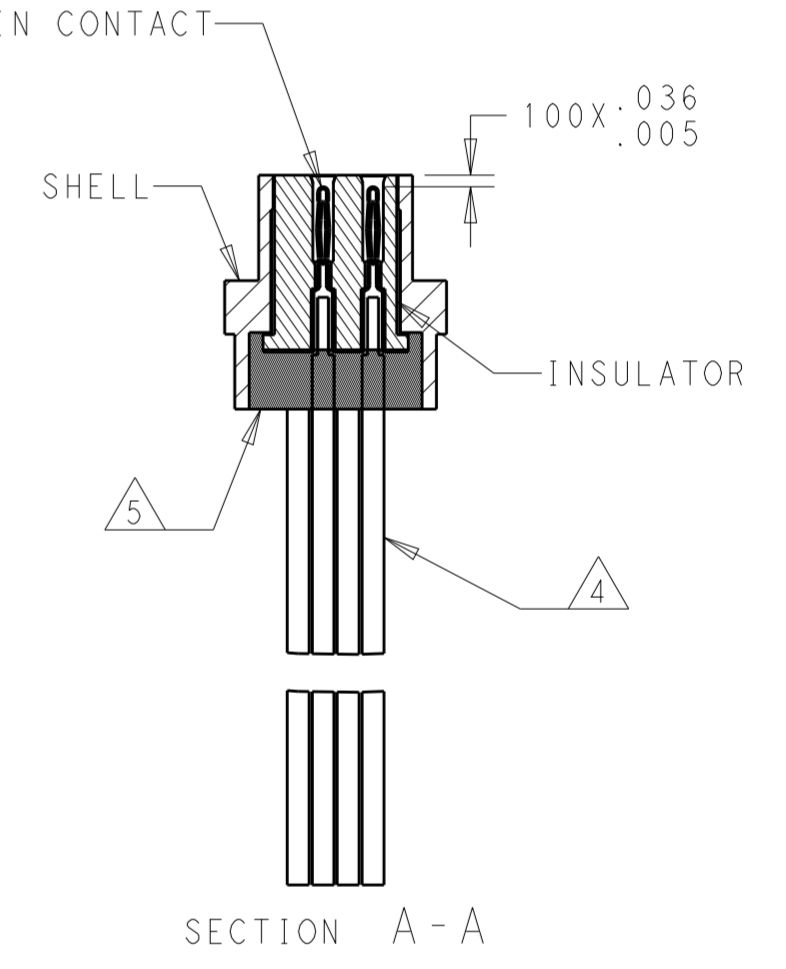
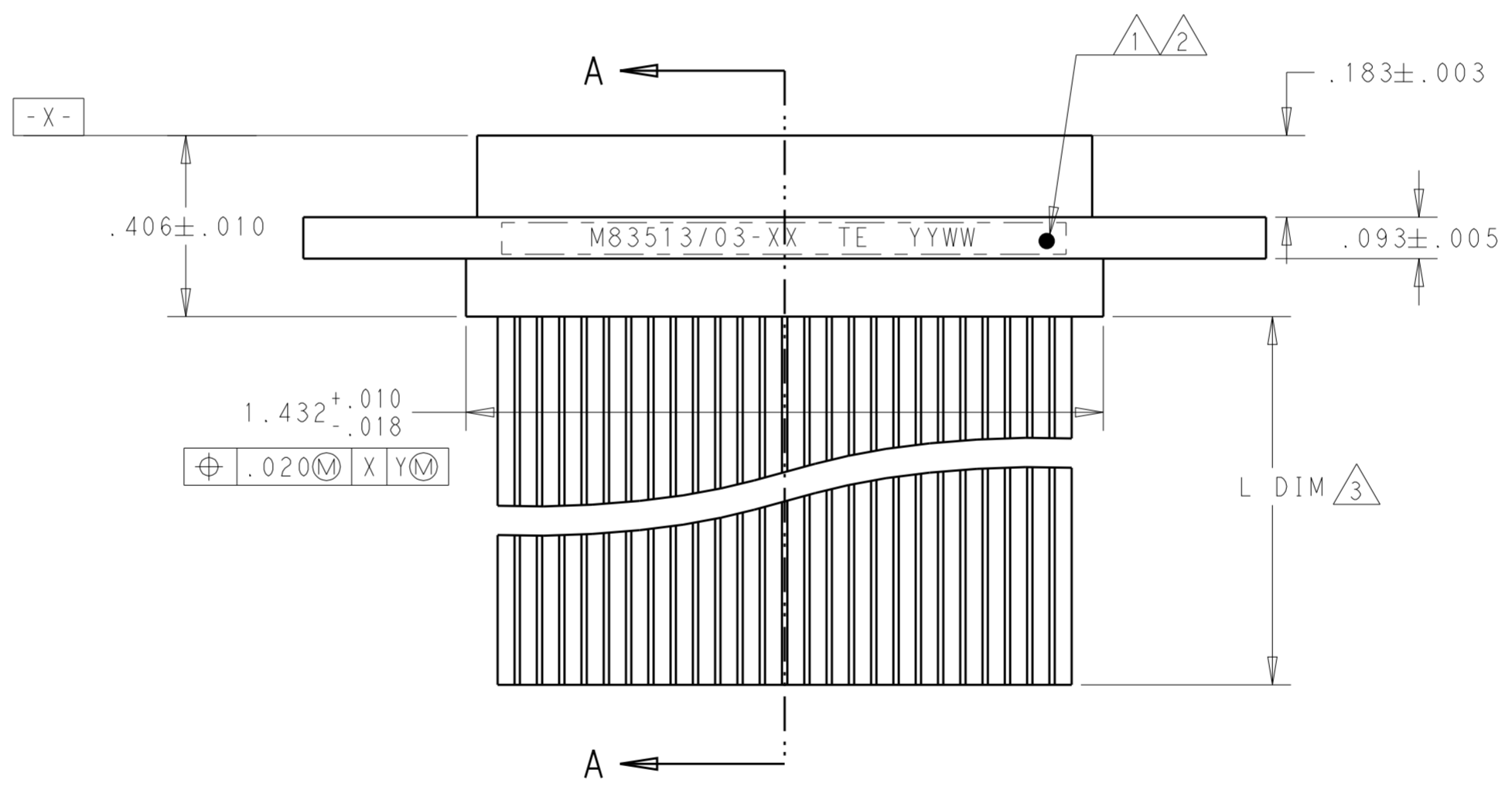
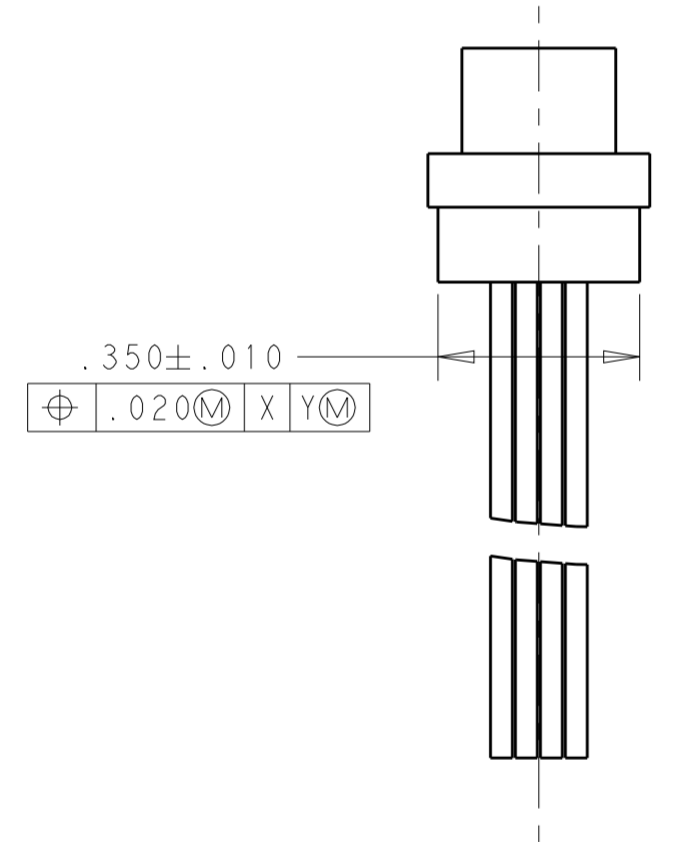
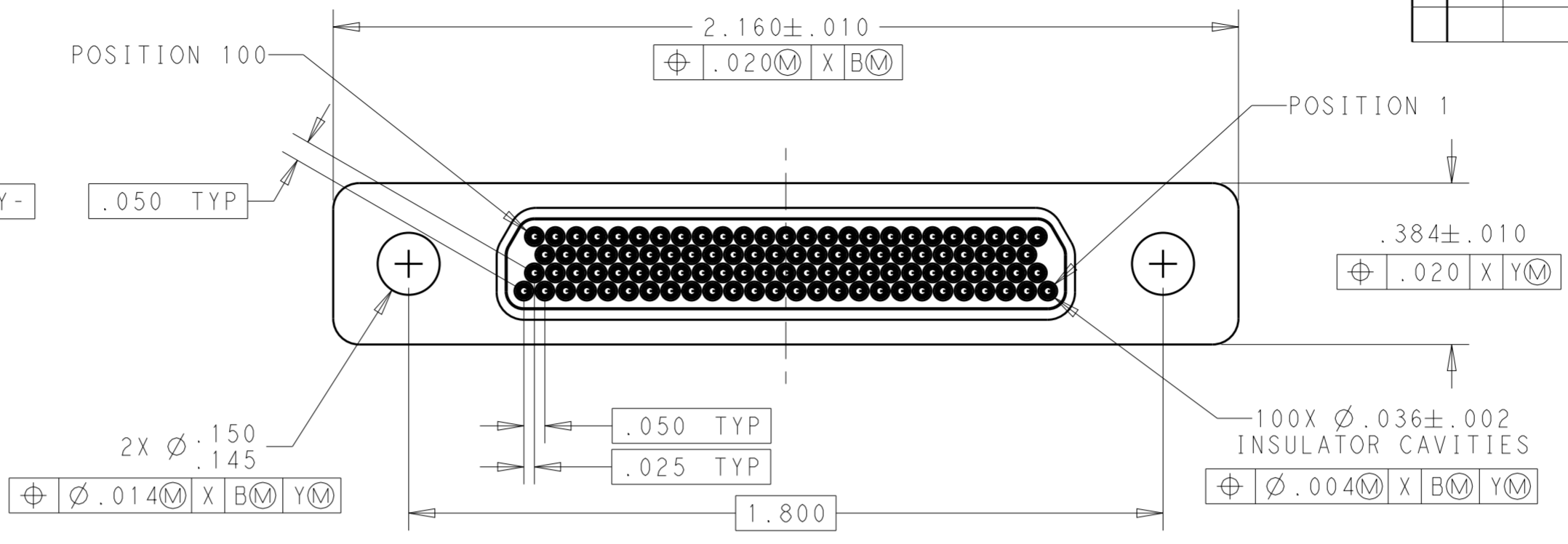
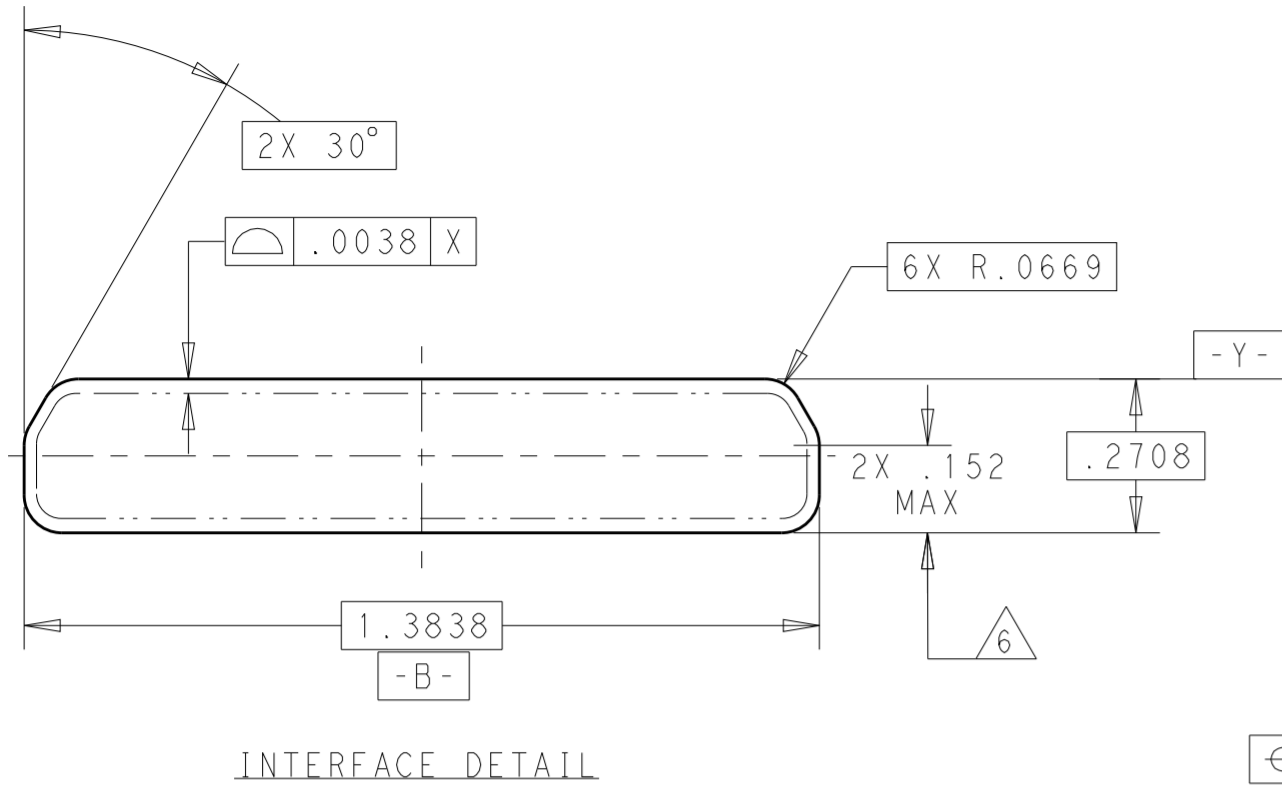


THIS DRAWING IS UNPUBLISHED. RELEASED FOR PUBLICATION 20  
 © COPYRIGHT 20 BY - ALL RIGHTS RESERVED.

| REVISIONS |     |                          |           |       |
|-----------|-----|--------------------------|-----------|-------|
| P         | LTR | DESCRIPTION              | DATE      | APVD  |
| B         |     | UPDATE PER ECO-16-006041 | 13APR2016 | DS CS |
|           |     |                          |           |       |
|           |     |                          |           |       |



- 1 CONNECTOR SHALL BE MARKED IN ACCORDANCE WITH METHOD 1 OF MIL-STD-1285. MARKING SHALL CONTAIN THE MILITARY PIN, CAGE CODE (OR TE), AND DATE CODE. EXAMPLE: M83513/03-XXXX TE YYWW (WHERE XXXX IS PART OF THE PIN SHOWN IN THE "MIL-DTL-83513" COLUMN OF THE PART NUMBER TABLE, AND YYWW IS THE DATE CODE). TEXT HEIGHT SHALL BE .035 INCH MINIMUM.
- 2 POSITION 1 SHALL BE INDICATED BY AN IDENTIFIABLE MARK, LOCATED APPROXIMATELY AS SHOWN ON THE POSITION 1 SIDE OF THE CONNECTOR FLANGE. THIS MARK SHALL BE INCLUDED AS PART OF THE PART MARKING INFORMATION.
- 3 LENGTH IS SHOWN IN THE "L DIM" COLUMN OF THE PART NUMBER TABLE. LENGTH TOLERANCE IS +1.0/-0.0 FOR INSULATED WIRE TERMINATIONS, AND +0.20/-0.00 FOR UNINSULATED WIRE TERMINATIONS.
- 4 INSULATED WIRE IS SHOWN FOR REFERENCE ONLY. PART MAY BE TERMINATED WITH INSULATED OR UNINSULATED WIRE ACCORDING TO THE PART NUMBER TABLE.
- 5 EPOXY ENCAPSULATION. EPOXY MAY WICK .125 INCH MAX FOR INSULATED WIRE, AND .050 INCH MAX FOR UNINSULATED WIRE.
- 6 THIS DIMENSION IS THE THEORETICAL INTERSECTION OF THE TWO ADJACENT SIDES OF THE INTERFACE.
- 7 ALL DIMENSIONS AND REQUIREMENTS ARE PER MIL-DTL-83513/3


|  |  |                    |           |   |  |
|--|--|--------------------|-----------|---|--|
| THIS DRAWING IS A CONTROLLED DOCUMENT. |  | DWN<br>B ROMANCHUK | 03SEP2008 | TE Connectivity   |  |
| DIMENSIONS:<br>IN                      |  | CHK<br>M STORRY    | 03SEP2008 |   |  |
| TOLERANCES UNLESS OTHERWISE SPECIFIED: |  | APVD               |           | NAME<br>PLUG ASSEMBLY,<br>MICRO-D PER MIL-DTL-83513/03<br>MCKS SERIES, 100 POSITION |  |
| 0 PLC ±                                |  | PRODUCT SPEC       |           | SIZE<br>A2  |  |
| 1 PLC ±                                |  | APPLICATION SPEC   |           | CAGE CODE<br>98278  |  |
| 2 PLC ±.010                            |  | WEIGHT             |           | DRAWING NO<br>C-1532186   |  |
| 3 PLC ±.005                            |  | CUSTOMER DRAWING   |           | RESTRICTED TO   |  |
| 4 PLC ±                                |  | SCALE 1:3          |           | SHEET 1 OF 2  |  |
| 4 ANGLES ±1°                           |  | REV B              |           |   |  |
| FINISH                                 |  |                    |           |   |  |
| MATERIAL<br>SEE NOTES                  |  |                    |           |   |  |

THIS DRAWING IS UNPUBLISHED. RELEASED FOR PUBLICATION 20  
 © COPYRIGHT 20 BY - ALL RIGHTS RESERVED.

| REVISIONS |     |             |      |      |
|-----------|-----|-------------|------|------|
| P         | LTR | DESCRIPTION | DATE | APVD |
|           |     | SEE SHEET 1 |      |      |
|           |     |             |      |      |
|           |     |             |      |      |

| TE PART NUMBER | L DIM | MIL-DTL-83513 PIN | MICRODOT P/N  | MCKS DESCRIPTION       |
|----------------|-------|-------------------|---------------|------------------------|
| 1532186-1      | 18    | M83513/03-H01N    | 094-6925-0001 | MCKS-N1-B-100P6G1-18.0 |
| 1532186-2      | 36    | M83513/03-H02N    | 094-6925-0002 | MCKS-N1-B-100P6G1-36.0 |
| 1532186-3      | 18    | M83513/03-H03N    | 094-6925-0003 | MCKS-N1-B-100P6G9-18.0 |
| 1532186-4      | 36    | M83513/03-H04N    | 094-6925-0004 | MCKS-N1-B-100P6G9-36.0 |
| 1532186-5      | 18    | M83513/03-H09N    | 094-6925-0009 | MCKS-N1-B-100P6Q1-18.0 |
| 1532186-6      | 36    | M83513/03-H10N    | 094-6925-0010 | MCKS-N1-B-100P6Q1-36.0 |
| 1532186-7      | 18    | M83513/03-H11N    | 094-6925-0011 | MCKS-N1-B-100P6Q9-18.0 |
| 1532186-8      | 36    | M83513/03-H12N    | 094-6925-0012 | MCKS-N1-B-100P6Q9-36.0 |
| 1532186-9      | 72    | M83513/03-H13N    | 094-6925-0013 | MCKS-N1-B-100P6G1-72.0 |
| 1-1532186-0    | 72    | M83513/03-H14N    | 094-6925-0014 | MCKS-N1-B-100P6G9-72.0 |
| 1-1532186-1    | 72    | M83513/03-H15N    | 094-6925-0015 | MCKS-N1-B-100P6Q1-72.0 |
| 1-1532186-2    | 72    | M83513/03-H16N    | 094-6925-0016 | MCKS-N1-B-100P6Q9-72.0 |
| 1-1532186-3    | 72    | M83513/03-H15C    | 094-6935-0015 | MCKS-C2-B-100P6Q1-72.0 |
| 1-1532186-4    | 0.5   | M83513/03-H05N    | 094-6925-0005 | MCKS-N1-B-100P5L4-0.5  |
| 1-1532186-5    | 1.0   | M83513/03-H06N    | 094-6925-0006 | MCKS-N1-B-100P5L4-1.0  |
| 1-1532186-6    | 0.5   | M83513/03-H07N    | 094-6925-0007 | MCKS-N1-B-100P5L5-0.5  |
| 1-1532186-7    | 1.0   | M83513/03-H08N    | 094-6925-0008 | MCKS-N1-B-100P5L5-1.0  |
| 1-1532186-8    | 18    | M83513/03-H01C    | 094-6935-0001 | MCKS-C2-B-100P6G1-18.0 |
| 1-1532186-9    | 36    | M83513/03-H02C    | 094-6935-0002 | MCKS-C2-B-100P6G1-36.0 |
| 2-1532186-0    | 18    | M83513/03-H03C    | 094-6935-0003 | MCKS-C2-B-100P6G9-18.0 |
| 2-1532186-1    | 36    | M83513/03-H04C    | 094-6935-0004 | MCKS-C2-B-100P6G9-36.0 |
| 2-1532186-2    | 0.5   | M83513/03-H05C    | 094-6935-0005 | MCKS-C2-B-100P5L4-0.5  |
| 2-1532186-3    | 1.0   | M83513/03-H06C    | 094-6935-0006 | MCKS-C2-B-100P5L4-1.0  |
| 2-1532186-4    | 0.5   | M83513/03-H07C    | 094-6935-0007 | MCKS-C2-B-100P5L5-0.5  |
| 2-1532186-5    | 1.0   | M83513/03-H08C    | 094-6935-0008 | MCKS-C2-B-100P5L5-1.0  |
| 2-1532186-6    | 18    | M83513/03-H09C    | 094-6935-0009 | MCKS-C2-B-100P6Q1-18.0 |
| 2-1532186-7    | 36    | M83513/03-H10C    | 094-6935-0010 | MCKS-C2-B-100P6Q1-36.0 |
| 2-1532186-8    | 18    | M83513/03-H11C    | 094-6935-0011 | MCKS-C2-B-100P6Q9-18.0 |
| 2-1532186-9    | 36    | M83513/03-H12C    | 094-6935-0012 | MCKS-C2-B-100P6Q9-36.0 |
| 3-1532186-0    | 72    | M83513/03-H13C    | 094-6935-0013 | MCKS-C2-B-100P6G1-72.0 |
| 3-1532186-1    | 72    | M83513/03-H14C    | 094-6935-0014 | MCKS-C2-B-100P6G9-72.0 |
| 3-1532186-2    | 72    | M83513/03-H16C    | 094-6935-0016 | MCKS-C2-B-100P6Q9-72.0 |

| TE PART NUMBER | L DIM | MIL-DTL-83513 PIN | MICRODOT P/N  | MCKS DESCRIPTION       |
|----------------|-------|-------------------|---------------|------------------------|
| 3-1532186-3    | 18    | M83513/03-H01P    | 094-6945-0001 | MCKS-P1-B-100P6G1-18.0 |
| 3-1532186-4    | 36    | M83513/03-H02P    | 094-6945-0002 | MCKS-P1-B-100P6G1-36.0 |
| 3-1532186-5    | 18    | M83513/03-H03P    | 094-6945-0003 | MCKS-P1-B-100P6G9-18.0 |
| 3-1532186-6    | 36    | M83513/03-H04P    | 094-6945-0004 | MCKS-P1-B-100P6G9-36.0 |
| 3-1532186-7    | 0.5   | M83513/03-H05P    | 094-6945-0005 | MCKS-P1-B-100P5L4-0.5  |
| 3-1532186-8    | 1.0   | M83513/03-H06P    | 094-6945-0006 | MCKS-P1-B-100P5L4-1.0  |
| 3-1532186-9    | 0.5   | M83513/03-H07P    | 094-6945-0007 | MCKS-P1-B-100P5L5-0.5  |
| 4-1532186-0    | 1.0   | M83513/03-H08P    | 094-6945-0008 | MCKS-P1-B-100P5L5-1.0  |
| 4-1532186-1    | 18.0  | M83513/03-H09P    | 094-6945-0009 | MCKS-P1-B-100P6Q1-18.0 |
| 4-1532186-2    | 36.0  | M83513/03-H10P    | 094-6945-0010 | MCKS-P1-B-100P6Q1-36.0 |
| 4-1532186-3    | 18.0  | M83513/03-H11P    | 094-6945-0011 | MCKS-P1-B-100P6Q9-18.0 |
| 4-1532186-4    | 36.0  | M83513/03-H12P    | 094-6945-0012 | MCKS-P1-B-100P6Q9-36.0 |
| 4-1532186-5    | 72.0  | M83513/03-H13P    | 094-6945-0013 | MCKS-P1-B-100P6G1-72.0 |
| 4-1532186-6    | 72.0  | M83513/03-H14P    | 094-6945-0014 | MCKS-P1-B-100P6G9-72.0 |
| 4-1532186-7    | 72.0  | M83513/03-H15P    | 094-6945-0015 | MCKS-P1-B-100P6Q1-72.0 |
| 4-1532186-8    | 72.0  | M83513/03-H16P    | 094-6945-0016 | MCKS-P1-B-100P6Q9-72.0 |

|   |  |   |   |                         |
|---|--|---|---|-------------------------|
| THIS DRAWING IS A CONTROLLED DOCUMENT.  |  | DWN<br>B ROMANCHUK<br>03SEP2008   |  TE Connectivity |                         |
| DIMENSIONS:<br>IN   |  | CHK<br>-  |   |                         |
| TOLERANCES UNLESS OTHERWISE SPECIFIED:  |  | NAME<br>PLUG ASSEMBLY,<br>MICRO-D PER MIL-DTL-83513/03<br>MCKS SERIES, 100 POSITION |   | RESTRICTED TO<br>-      |
| 0 PLC ±<br>1 PLC ±<br>2 PLC ±.010<br>3 PLC ±.005<br>4 PLC ±<br>ANGLES ±1°<br>FINISH - |  | PRODUCT SPEC<br>-   | SIZE<br>A2  |                         |
| MATERIAL<br>SEE NOTES   |  | APPLICATION SPEC<br>-   | CAGE CODE<br>98278  | DRAWING NO<br>C-1532186 |
|   |  | WEIGHT<br>-   | SCALE<br>1:3  | SHEET<br>2 OF 2         |
|   |  | CUSTOMER DRAWING  | REV<br>B  |                         |