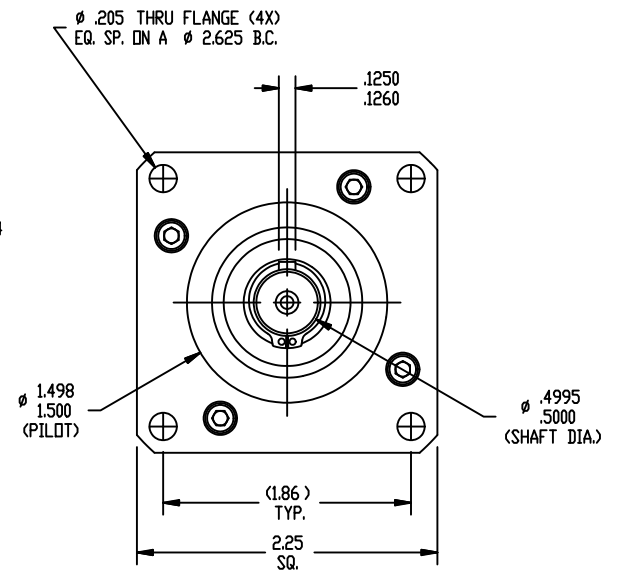
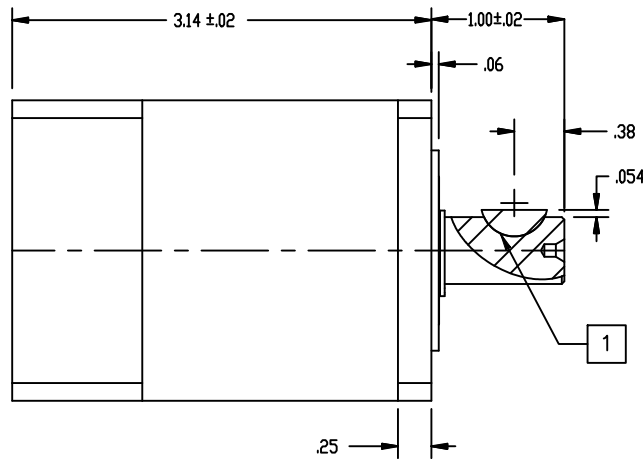
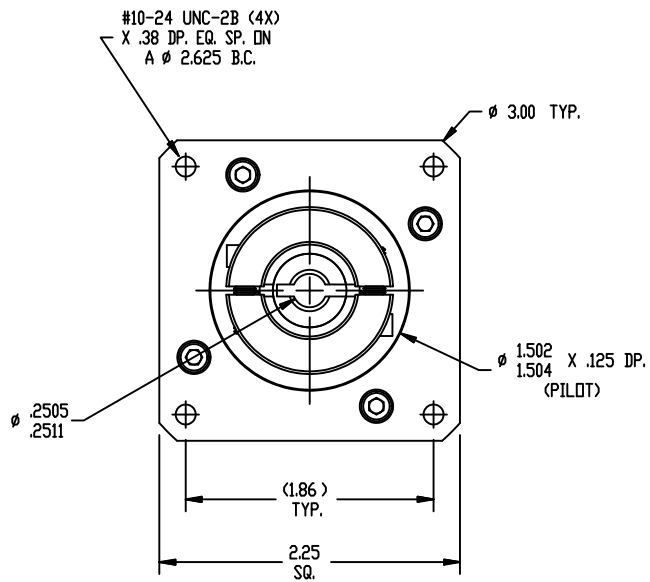


REVISIONS			
REV	DESCRIPTION	DATE	APPROVED
A	INITIAL RELEASE ECO 6709	2/22/13	J Kordik



NOTES: UNLESS OTHERWISE SPECIFIED

- 1 #404 WOODRUFF KEY.
2. 23VL070 RATIO- 70:1
3. FOR TECHNICAL DETAILS, CONTACT APPLIED MOTION PRODUCTS.

TOLERANCES	THIRD ANGLE PROJECTION	APPLIED MOTION PRODUCTS, INC.	
DECIMALS: [MM] INCH X.XXX = ± .005 X.XX = ± [0.13] .010 X.X = ± [0.25] .020		OUTLINE, GEAR HEAD, VL23, 2 STAGE	
ANGLES: MACH. = ±.5° CHAM. = ±5°	APPROVALS		
COMPUTER DATA BASE DRAWING	DRAWN <i>R. JONES</i>	2/22/13	REV A
	CHECKED		B DWG NO. 23VL070
	APPROVED		SCALE: FULL SHEET 1 OF 1