



### FEATURES

- Precision ac and dc performance
- 8-channel simultaneous sampling
  - 256 kSPS ADC ODR per channel
  - 97.7 dB dynamic range
  - 110.8 kHz input bandwidth (−3 dB BW)
  - −120 dB THD, typical
  - ±1 LSB INL, ±1 LSB offset error, ±5 LSB gain error
- Optimized power dissipation vs. noise vs. input bandwidth
  - Selectable power, speed, and input bandwidth
  - Fast (highest speed): 110.8 kHz BW, 51.5 mW per channel
  - Median (half speed): 55.4 kHz BW, 27.5 mW per channel
  - Low power (lowest power): 13.8 kHz BW, 9.375 mW per channel
- Input BW range: dc to 110.8 kHz
- Programmable input bandwidth/sampling rates
- CRC error checking on data interface
- Daisy-chaining

### Linear phase digital filter

Low latency sinc5 filter

Wideband brick wall filter: ±0.005 dB ripple to 102.4 kHz

### Analog input precharge buffers

### Power supply

AVDD1 = 5 V, AVDD2 = 2.25 V to 5.0 V

IOVDD = 2.5 V to 3.3 V or IOVDD = 1.8 V

### 64-lead LQFP package, no exposed pad

### Temperature range: −40°C to +105°C

### APPLICATIONS

- Data acquisition systems: USB/PXI/Ethernet
- Instrumentation and industrial control loops
- Audio testing and measurement
- Vibration and asset condition monitoring
- 3-phase power quality analysis
- Sonar
- High precision medical electroencephalogram (EEG)/electromyography (EMG)/electrocardiogram (ECG)

### FUNCTIONAL BLOCK DIAGRAM

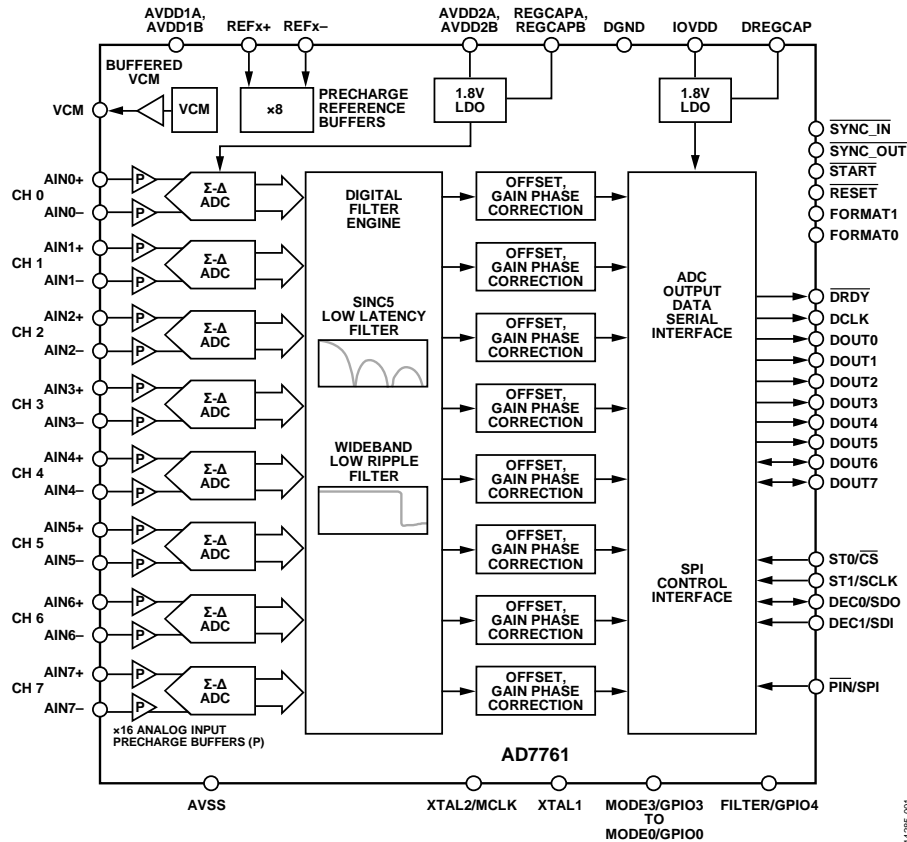


Figure 1.

Rev. A

### Document Feedback

Information furnished by Analog Devices is believed to be accurate and reliable. However, no responsibility is assumed by Analog Devices for its use, nor for any infringements of patents or other rights of third parties that may result from its use. Specifications subject to change without notice. No license is granted by implication or otherwise under any patent or patent rights of Analog Devices. Trademarks and registered trademarks are the property of their respective owners.

## TABLE OF CONTENTS

Features .....	1	Setting the Format of Data Output .....	49
Applications .....	1	ADC Conversion Output: Header and Data .....	50
Functional Block Diagram .....	1	Functionality .....	59
Revision History .....	3	GPIO Functionality.....	59
General Description .....	4	Register Map Details (SPI Control) .....	60
Specifications.....	5	Register Map .....	60
Timing Specifications .....	10	Channel Standby Register .....	62
1.8 V IOVDD Timing Specifications.....	11	Channel Mode A Register .....	63
Absolute Maximum Ratings.....	15	Channel Mode B Register .....	63
Thermal Resistance .....	15	Channel Mode Select Register.....	64
ESD Caution.....	15	Power Mode Select Register.....	64
Pin Configuration and Function Descriptions.....	16	General Device Configuration Register .....	65
Typical Performance Characteristics .....	20	Data Control: Soft Reset, Sync, and Single-Shot Control Register .....	66
Terminology .....	26	Interface Configuration Register.....	66
Theory of Operation .....	27	Digital Filter RAM Built in Self Test (BIST) Register.....	67
Clocking, Sampling Tree, and Power Scaling .....	27	Status Register.....	67
Noise Performance and Resolution.....	28	Revision Identification Register .....	68
Applications Information .....	30	GPIO Control Register .....	68
Power Supplies .....	31	GPIO Write Data Register.....	69
Device Configuration .....	32	GPIO Read Data Register.....	69
Pin Control Mode.....	32	Analog Input Precharge Buffer Enable Register Channel 0 to Channel 3 .....	69
SPI Control.....	35	Analog Input Precharge Buffer Enable Register Channel 4 to Channel 7 .....	70
SPI Control Functionality .....	36	Positive Reference Precharge Buffer Enable Register.....	70
SPI Control Mode Extra Diagnostic Features .....	38	Negative Reference Precharge Buffer Enable Register .....	71
Circuit Information.....	39	Offset Registers.....	71
Core Signal Chain.....	39	Gain Registers .....	72
Analog Inputs.....	40	Sync Phase Offset Registers .....	72
VCM.....	41	ADC Diagnostic Receive Select Register .....	72
Reference Input.....	42	ADC Diagnostic Control Register .....	73
Clock Selection .....	42	Modulator Delay Control Register.....	74
Digital Filtering.....	42	Chopping Control Register .....	74
Decimation Rate Control .....	46	Outline Dimensions .....	75
Antialiasing .....	46	Ordering Guide .....	75
Calibration.....	48		
Data Interface.....	49		

**REVISION HISTORY****9/2017—Rev. 0 to Rev. A**

Changed Focus Mode to Low Power Mode.....	Throughout
Changes to Table 1 .....	5
Changes to Figure 2.....	13
Changes to Thermal Resistance Section and Table 7 .....	15
Changes to Table 8 .....	16
Changes to Figure 47 .....	27
Changes to Figure 48 .....	30
Changes to MCLK Source Selection Section.....	37
Changes to Analog Input Precharge Buffers Section .....	38
Changes to Analog Inputs Section.....	40
Added Figure 61; Renumbered Sequentially.....	41
Changes to Table 24 .....	41
Changes to Reference Input Section.....	42
Added Figure 62 .....	42
Added Filter Settling Time Section.....	43
Changes to Wideband Low Ripple Filter Section .....	43
Moved Table 25.....	44

Moved Table 26.....	45
Changes to Modulator Saturation Point Section .....	47
Added Figure 68 .....	47
Changes to Bit 7 Bit Name, Table 31, and ERROR_FLAGGED Section .....	50
Changes to Data Interface: One-Shot Conversion Operation Section .....	53
Changes to CRC Check on Data Interface Section .....	55
Added CRC Code Example Section .....	56
Change to Register 0x05, Bit 6, Table 33.....	60
Changes to Table 39 .....	65
Changes to Analog Input Precharge Buffer Enable Register Channel 0 to Channel 3 Section.....	69
Changes to Analog Input Precharge Buffer Enable Register Channel 4 to Channel 7 Section.....	70

**4/2016—Revision 0: Initial Version**

## GENERAL DESCRIPTION

The AD7761 is an 8-channel, simultaneous sampling sigma-delta ( $\Sigma$ - $\Delta$ ) analog-to-digital converter (ADC) with a  $\Sigma$ - $\Delta$  modulator and digital filter per channel, enabling synchronized sampling of ac and dc signals.

The AD7761 achieves 97.7 dB dynamic range at a maximum input bandwidth of 110.8 kHz, combined with typical performance of  $\pm 1$  LSB integral nonlinearity (INL),  $\pm 1$  LSB offset error, and  $\pm 5$  LSB gain error.

The AD7761 user can trade off input bandwidth, output data rate, and power dissipation. Select one of three power modes to optimize the device for noise targets and power consumption. The flexibility of the AD7761 allows it to become a reusable platform for low power dc and high performance ac measurement modules.

The AD7761 has three modes: fast mode (256 kSPS maximum, 110.8 kHz input bandwidth, 51.5 mW per channel), median mode (128 kSPS maximum, 55.4 kHz input bandwidth, 27.5 mW per channel) and low power mode (32 kSPS maximum, 13.8 kHz input bandwidth, 9.375 mW per channel).

The AD7761 offers extensive digital filtering capabilities, such as a wideband, low  $\pm 0.005$  dB pass-band ripple, antialiasing low-pass filter with sharp roll-off, and 105 dB attenuation at the Nyquist frequency.

Frequency domain measurements can use the wideband linear phase filter. This filter has a flat pass band ( $\pm 0.005$  dB ripple) from dc to 102.4 kHz at 256 kSPS, from dc to 51.2 kHz at 128 kSPS, or from dc to 12.8 kHz at 32 kSPS.

The AD7761 also offers sinc response via a sinc5 filter, a low latency path for low bandwidth, and low noise measurements.

The wideband and sinc5 filters can be selected and run on a per channel basis.

Within these filter options, the user can improve the dynamic range by selecting from decimation rates of  $\times 32$ ,  $\times 64$ ,  $\times 128$ ,  $\times 256$ ,  $\times 512$ , and  $\times 1024$ . The ability to vary the decimation filtering optimizes noise performance to the required input bandwidth.

Embedded analog functionality on each ADC channel makes design easier, such as a precharge buffer on each analog input that reduces analog input current and a precharge reference buffer per channel reduces input current and glitches on the reference input terminals.

The device operates with a 5 V AVDD1A and AVDD1B supply, a 2.25 V to 5.0 V AVDD2A and AVDD2B supply, and a 2.5 V to 3.3 V or 1.8 V IOVDD supply (see the 1.8 V IOVDD Operation section for specific requirements for operating at 1.8 V IOVDD).

The device requires an external reference; the absolute input reference voltage range is 1 V to AVDD1 – AVSS.

For the purposes of clarity within this data sheet, the AVDD1A and AVDD1B supplies are referred to as AVDD1 and the AVDD2A and AVDD2B supplies are referred to as AVDD2. For the negative supplies, AVSS refers to the AVSS1A, AVSS1B, AVSS2A, AVSS2B, and AVSS pins.

The specified operating temperature range is  $-40^{\circ}\text{C}$  to  $+105^{\circ}\text{C}$ . The device is housed in a 10 mm  $\times$  10 mm 64-lead LQFP package with a 12 mm  $\times$  12 mm printed circuit board (PCB) footprint.

Throughout this data sheet, multifunction pins, such as XTAL2/MCLK, are referred to either by the entire pin name or by a single function of the pin, for example MCLK, when only that function is relevant.

## SPECIFICATIONS

AVDD1A = AVDD1B = 4.5 V to 5.5 V, AVDD2A = AVDD2B = 2.0 V to 5.5 V, IOVDD = 1.72 V to 1.88 V and 2.25 V to 3.6 V, AVSS = DGND = 0 V, REFx+ = 4.096 V and REFx- = 0 V, MCLK = 32.768 MHz, analog input precharge buffers on, reference precharge buffers off, wideband filter,  $f_{\text{CHOP}} = f_{\text{MOD}}/32$ ,  $T_A = -40^{\circ}\text{C}$  to  $+105^{\circ}\text{C}$ , unless otherwise noted.

Table 1.

Parameter	Test Conditions/Comments	Min	Typ	Max	Unit
<b>ADC SPEED AND PERFORMANCE</b>					
Output Data Rate (ODR), per Channel <sup>1</sup>	Fast	8		256	kSPS
	Median	4		128	kSPS
	Low power	1		32	kSPS
-3 dB Bandwidth (BW)	Fast, wideband filter			110.8	kHz
	Median, wideband filter			55.4	kHz
	Low power, wideband filter			13.8	kHz
Data Output Coding No Missing Codes <sup>2</sup>		16	Twos complement, MSB first		Bits
<b>DYNAMIC PERFORMANCE</b>					
Dynamic Range Signal-to-Noise Ratio (SNR)	Decimation by 32, 256 kSPS ODR Shorted input, wideband filter	97.3	97.7		dB
	1 kHz, -0.5 dBFS, sine wave input Sinc5 filter	97.3	97.9		dB
	Wideband filter	97.3	97.7		dB
Signal-to-Noise-and-Distortion Ratio (SINAD)	1 kHz, -0.5 dBFS, sine wave input	97.3	97.7		dB
Total Harmonic Distortion (THD) Spurious-Free Dynamic Range (SFDR)	1 kHz, -0.5 dBFS, sine wave input		-120	-107	dB
			126		dBc
<b>INTERMODULATION DISTORTION (IMD)</b>					
f <sub>INA</sub> = 9.7 kHz, f <sub>INB</sub> = 10.3 kHz	Second order		-125		dB
	Third order		-124		dB
<b>ACCURACY</b>					
INL <sup>3</sup>	Endpoint method		±1	±1.5	LSB
Offset Error <sup>4</sup>			±1	±2	LSB
Gain Error <sup>4</sup>	T <sub>A</sub> = 25°C		±5	±40	LSB
Gain Drift vs. Temperature <sup>2</sup>			±0.01	±0.02	LSB/°C
<b>VCM PIN</b>					
Output	With respect to AVSS		(AVDD1 - AVSS)/2		V
Load Regulation	$\Delta V_{\text{OUT}}/\Delta I_L$		400		μV/mA
Voltage Regulation	Applies to the following VCM output options only: V <sub>CM</sub> = $\Delta V_{\text{OUT}}/\Delta(\text{AVDD1} - \text{AVSS})/2$ , V <sub>CM</sub> = 1.65 V, and V <sub>CM</sub> = 2.5 V		5		μV/V
Short-Circuit Current			30		mA
<b>ANALOG INPUTS</b>					
Differential Input Voltage Range	See the Analog Inputs section V <sub>REF</sub> = (REFx+) - (REFx-)	-V <sub>REF</sub>		+V <sub>REF</sub>	V
Input Common-Mode Range <sup>2</sup>		AVSS		AVDD1	V
Absolute Analog Input Voltage Limits <sup>2</sup>		AVSS		AVDD1	V
Analog Input Current Unbuffered	Differential component		±48		μA/V
	Common-mode component		±17		μA/V
Precharge Buffer On <sup>5</sup>			-20		μA
Input Current Drift Unbuffered			±5		nA/V/°C
	Precharge Buffer On		±31		nA/°C

Parameter	Test Conditions/Comments	Min	Typ	Max	Unit
<b>EXTERNAL REFERENCE</b>					
Reference Voltage	$V_{REF} = (REF_{X+}) - (REF_{X-})$	1		AVDD1 – AVSS	V
Absolute Reference Voltage Limits <sup>2</sup>	Precharge reference buffers off	AVSS – 0.05		AVDD1 + 0.05	V
	Precharge reference buffers on	AVSS		AVDD1	V
Average Reference Current	Fast mode		±72		µA/V/channel
	Precharge reference buffers off		±16		µA/V/channel
Average Reference Current Drift	Fast mode		±1.7		nA/V/°C
	Precharge reference buffers off		±49		nA/V/°C
	Precharge reference buffers on		95		dB
<b>DIGITAL FILTER RESPONSE</b>					
<b>Low Ripple Wideband Filter</b>					
Decimation Rate	FILTER = 0	32		1024	
Group Delay	Up to six selectable decimation rates		34/ODR		sec
Settling Time	Latency		68/ODR		sec
Pass-Band Ripple <sup>2</sup>	Complete settling			±0.005	dB
Pass Band	±0.005 dB bandwidth		0.4 × ODR		Hz
	–0.1 dB bandwidth		0.409 × ODR		Hz
	–3 dB bandwidth		0.433 × ODR		Hz
Stop Band Frequency	Attenuation > 105 dB		0.499 × ODR		Hz
Stop Band Attenuation			105		dB
<b>Sinc5 Filter</b>					
Decimation Rate	FILTER = 1	32		1024	
Group Delay	Up to six selectable decimation rates		3/ODR		sec
Settling Time	Latency		7/ODR		sec
Pass Band	Complete settling		0.204 × ODR		Hz
	–3 dB bandwidth				Hz
<b>REJECTION</b>					
AC Power Supply Rejection Ratio (PSRR)	$V_{IN} = 0.1\text{ V}$ , AVDD1 = 5 V, AVDD2 = 5 V, IOVDD = 2.5 V				
AVDD1			90		dB
AVDD2			100		dB
IOVDD			75		dB
DC PSRR	$V_{IN} = 1\text{ V}$				
AVDD1			100		dB
AVDD2			118		dB
IOVDD			90		dB
Analog Input Common-Mode Rejection Ratio (CMRR)					
DC	$V_{IN} = 0.1\text{ V}$		95		dB
AC	Up to 10 kHz		95		dB
Crosstalk	–0.5 dBFS input on adjacent channels		–120		dB
<b>CLOCK</b>					
Crystal Frequency	See the Clock Selection section for data sheet performance functionality	8	32.768	34	MHz
External Clock (MCLK)			32.768		MHz
Duty Cycle			50:50		%
MCLK Pulse Width <sup>2</sup>					
Logic Low		12.2			ns
Logic High		12.2			ns
CMOS Clock Input Voltage	See the Logic Inputs parameter				
High, $V_{INH}$					
Low, $V_{INL}$					

Parameter	Test Conditions/Comments	Min	Typ	Max	Unit
LVDS Clock <sup>2</sup>	$R_L = 100 \Omega$				
Differential Input Voltage		100		650	mV
Common-Mode Input Voltage		800		1575	mV
Absolute Input Voltage				1.88	V
ADC RESET <sup>2</sup>					
ADC Start-Up Time After Reset <sup>6</sup>	Time to first $\overline{\text{DRDY}}$ , fast mode, decimation by 32		1.58	1.66	ms
Minimum $\overline{\text{RESET}}$ Low Pulse Width	$t_{\text{MCLK}} = 1/\text{MCLK}$	$2 \times t_{\text{MCLK}}$			
LOGIC INPUTS					
Input Voltage <sup>2</sup>					
High, $V_{\text{INH}}$		$0.65 \times \text{IOVDD}$			V
Low, $V_{\text{INL}}$	$2.25 \text{ V} < \text{IOVDD} < 3.6 \text{ V}$ $1.72 \text{ V} < \text{IOVDD} < 1.88 \text{ V}$			0.7 0.4	V V
Hysteresis <sup>2</sup>	$2.25 \text{ V} < \text{IOVDD} < 3.6 \text{ V}$ $1.72 \text{ V} < \text{IOVDD} < 1.88 \text{ V}$	0.04 0.04		0.09 0.2	V V
Leakage Current	$\overline{\text{RESET}}$ pin <sup>7</sup>	-10 -10	+0.03	+10 +10	$\mu\text{A}$ $\mu\text{A}$
LOGIC OUTPUTS					
Output Voltage <sup>2</sup>					
High, $V_{\text{OH}}$	$I_{\text{SOURCE}} = 200 \mu\text{A}$	$0.8 \times \text{IOVDD}$			V
Low, $V_{\text{OL}}$	$I_{\text{SINK}} = 400 \mu\text{A}$			0.4	V
Leakage Current	Floating state	-10		+10	$\mu\text{A}$
Output Capacitance	Floating state		10		pF
SYSTEM CALIBRATION <sup>2</sup>					
Full-Scale Calibration Limit				$1.05 \times V_{\text{REF}}$	V
Zero-Scale Calibration Limit		$-1.05 \times V_{\text{REF}}$			V
Input Span		$0.4 \times V_{\text{REF}}$		$2.1 \times V_{\text{REF}}$	V
POWER REQUIREMENTS					
Power Supply Voltage					
AVDD1 – AVSS		4.5	5.0	5.5	V
AVDD2 – AVSS		2.0	2.25 to 5.0	5.5	V
AVSS – DGND		-2.75		0	V
IOVDD – DGND		1.72	2.5 to 3.3 or 1.8	3.6	V
POWER SUPPLY CURRENTS	Maximum output data rate, CMOS MCLK, eight DOUTx signals, all supplies at maximum voltages, all channels in Channel Mode A				
Eight Channels Active					
Fast Mode					
AVDD1 Current	Precharge reference buffers off Precharge reference buffers on		36 57.5	40 64	mA mA
AVDD2 Current			37.5	40	mA
IOVDD Current	Wideband filter Sinc5 filter <sup>2</sup>		63 27	69 29	mA mA
Median Mode					
AVDD1 Current	Precharge reference buffers off Precharge reference buffers on		18.5 29		mA mA
AVDD2 Current			21.3		mA
IOVDD Current	Wideband filter Sinc5 filter		34 16		mA mA

Parameter	Test Conditions/Comments	Min	Typ	Max	Unit
Low Power Mode					
AVDD1 Current	Precharge reference buffers off		5.1		mA
	Precharge reference buffers on		8		mA
AVDD2 Current			9.3		mA
IOVDD Current	Wideband filter		12.5		mA
	Sinc5 filter		8		mA
Four Channels Active <sup>2</sup>					
Fast Mode					
AVDD1 Current	Precharge reference buffers off		18.2	20.3	mA
	Precharge reference buffers on		28.8	32.5	mA
AVDD2 Current			18.8	20.3	mA
IOVDD Current	Wideband filter		43.5	47.7	mA
	Sinc5 filter		17	18.6	mA
Median Mode					
AVDD1 Current	Precharge reference buffers off		9.3		mA
	Precharge reference buffers on		14.7		mA
AVDD2 Current			10.7		mA
IOVDD Current	Wideband filter		24.5		mA
	Sinc5 filter		11		mA
Low Power Mode					
AVDD1 Current	Precharge reference buffers off		2.7		mA
	Precharge reference buffers on		4.1		mA
AVDD2 Current			4.7		mA
IOVDD Current	Wideband filter		10		mA
	Sinc5 filter		6.5		mA
Two Channels Active <sup>2</sup>					
Fast Mode					
AVDD1 Current	Precharge reference buffers off		9.3	10.5	mA
	Precharge reference buffers on		14.7	16.6	mA
AVDD2 Current			9.5	10.5	mA
IOVDD Current	Wideband filter		34	36.7	mA
	Sinc5 filter		12	13.5	mA
Median Mode					
AVDD1 Current	Precharge reference buffers off		4.8		mA
	Precharge reference buffers on		7.5		mA
AVDD2 Current			5.5		mA
IOVDD Current	Wideband filter		19.5		mA
	Sinc5 filter		8.5		mA
Low Power Mode					
AVDD1 Current	Precharge reference buffers off		1.52		mA
	Precharge reference buffers on		2.2		mA
AVDD2 Current			2.4		mA
IOVDD Current	Wideband filter		8.6		mA
	Sinc5 filter		5.8		mA
Standby Mode	All channels disabled (sinc5 filter enabled)		6.5	8	mA
Sleep Mode	Full power-down (serial peripheral interface (SPI) mode only)		0.73	1.2	mA
Crystal Excitation Current	Extra current in IOVDD when using an external crystal compared to using the CMOS MCLK		540		μA



Parameter	Test Conditions/Comments	Min	Typ	Max	Unit
POWER DISSIPATION	External CMOS MCLK, all channels active, MCLK = 32.768 MHz, all channels in Channel Mode A Analog precharge buffers on				
Full Operating Mode					
Wideband Filter					
Fast	AVDD1 = 5 V, AVDD2 = IOVDD = 2.5 V, precharge reference buffers off <sup>2</sup>		412	446	mW
	AVDD1 = 5 V, AVDD2 = IOVDD = 3.3 V, precharge reference buffers on <sup>2</sup>		600	645	mW
	AVDD1 = 5.5 V, AVDD2 = 5.5 V, IOVDD = 3.6 V, precharge reference buffers off		631	681	mW
	AVDD1 = 5.5 V, AVDD2 = 5.5 V, IOVDD = 1.88 V, precharge reference buffers off <sup>2</sup>		524	571	mW
Median	AVDD1 = 5 V, AVDD2 = IOVDD = 2.5 V, precharge reference buffers off		220		mW
	AVDD1 = 5 V, AVDD2 = IOVDD = 3.3 V, precharge reference buffers on		320		mW
	AVDD1 = 5.5 V, AVDD2 = 5.5 V, IOVDD = 3.6 V, precharge reference buffers off		341		mW
	AVDD1 = 5.5 V, AVDD2 = 5.5 V, IOVDD = 1.88 V, precharge reference buffers off		284		mW
Low Power	AVDD1 = 5 V, AVDD2 = IOVDD = 2.5 V, precharge reference buffers off		75		mW
	AVDD1 = 5 V, AVDD2 = IOVDD = 3.3 V, precharge reference buffers on		107		mW
	AVDD1 = 5.5 V, AVDD2 = 5.5 V, IOVDD = 3.6 V, precharge reference buffers off		124		mW
	AVDD1 = 5.5 V, AVDD2 = 5.5 V, IOVDD = 1.88 V, precharge reference buffers off		99		mW
Sinc5 Filter <sup>2</sup>					
Fast	AVDD1 = 5 V, AVDD2 = IOVDD = 2.5 V, precharge reference buffers off		325	355	mW
	AVDD1 = 5 V, AVDD2 = IOVDD = 3.3 V, precharge reference buffers on		475	525	mW
	AVDD1 = 5.5 V, AVDD2 = 5.5 V, IOVDD = 3.6 V, precharge reference buffers off		501	545	mW
	AVDD1 = 5.5 V, AVDD2 = 5.5 V, IOVDD = 1.88 V, precharge reference buffers off		455	495	mW
Median	AVDD1 = 5 V, AVDD2 = IOVDD = 2.5 V, precharge reference buffers off		175		mW
	AVDD1 = 5 V, AVDD2 = IOVDD = 3.3 V, precharge reference buffers on		260		mW
	AVDD1 = 5.5 V, AVDD2 = 5.5 V, IOVDD = 3.6 V, precharge reference buffers off		277		mW
	AVDD1 = 5.5 V, AVDD2 = 5.5 V, IOVDD = 1.88 V, precharge reference buffers off		248		mW

Parameter	Test Conditions/Comments	Min	Typ	Max	Unit
Low Power	AVDD1 = 5 V, AVDD2 = IOVDD = 2.5 V, precharge reference buffers off		65		mW
	AVDD1 = 5 V, AVDD2 = IOVDD = 3.3 V, precharge reference buffers on		95		mW
	AVDD1 = 5.5 V, AVDD2 = 5.5 V, IOVDD = 3.6 V, precharge reference buffers off		108		mW
	AVDD1 = 5.5 V, AVDD2 = 5.5 V, IOVDD = 1.88 V, precharge reference buffers off		94		mW
Standby Mode	All channels disabled; AVDD1 = 5 V, AVDD2 = IOVDD = 2.5 V		14.5		mW
	AVDD1 = 5 V, AVDD2 = IOVDD = 3.3 V		21		mW
	AVDD1 = AVDD2 = 5.5 V, IOVDD = 3.6 V		23.5	29	mW
	AVDD1 = 5.5 V, AVDD2 = 5.5 V, IOVDD = 1.88 V		12.5		mW
Sleep Mode	Full power-down (SPI mode only); AVDD1 = 5 V, AVDD2 = IOVDD = 2.5 V		1.8		mW
	AVDD1 = 5 V, AVDD2 = IOVDD = 3.3 V		2.5		mW
	AVDD1 = AVDD2 = 5.5 V, IOVDD = 3.6 V		2.7	6.5	mW
	AVDD1 = 5.5 V, AVDD2 = 5.5 V, IOVDD = 1.88 V		1.5		mW

<sup>1</sup> The output data rate ranges refer to the programmable decimation rates available on the AD7761 for a fixed MCLK rate of 32.768 MHz. Varying MCLK rates allow users a wider variation of ODR.

<sup>2</sup> These specifications are not production tested but are supported by characterization data at initial product release.

<sup>3</sup> The maximum INL specification is guaranteed by design and characterization testing prior to release. This specification is not production tested.

<sup>4</sup> Following a system zero-scale calibration, the offset error is in the order of the noise for the programmed output data rate selected. A system full-scale calibration reduces the gain error to the order of the noise for the programmed output data rate.

<sup>5</sup>  $-25 \mu\text{A}$  is measured when the analog input is close to either the AVDD1 or AVSS rail. The input current reduces as the common-mode voltage approaches  $(\text{AVDD1} - \text{AVSS})/2$ . The analog input current scales with the MCLK frequency and device power mode.

<sup>6</sup> For lower MCLK rates or higher decimation rates, use Table 25 and Table 26 to calculate any additional delay before the first  $\overline{\text{DRDY}}$  pulse.

<sup>7</sup> The  $\overline{\text{RESET}}$  pin has an internal pull-up device to IOVDD.

## TIMING SPECIFICATIONS

AVDD1A = AVDD1B = 5 V, AVDD2A = AVDD2B = 5 V, IOVDD = 2.25 V to 3.6 V, Input Logic 0 = DGND, Input Logic 1 = IOVDD;  $C_{\text{LOAD}} = 10 \text{ pF}$  on the DCLK pin,  $C_{\text{LOAD}} = 20 \text{ pF}$  on the other digital outputs;  $\text{REF}_{\text{x}+} = 4.096 \text{ V}$ ,  $T_{\text{A}} = -40^{\circ}\text{C}$  to  $+105^{\circ}\text{C}$ . See Table 4 and Table 5 for timing specifications at 1.8 V IOVDD.

**Table 2. Data Interface Timing<sup>1</sup>**

Parameter	Description	Test Conditions/Comments	Min	Typ	Max	Unit
MCLK	Master clock		1.15		34	MHz
$f_{\text{MOD}}$	Modulator frequency	Fast mode		MCLK/4		Hz
		Median mode		MCLK/8		Hz
		Low power mode		MCLK/32		Hz
$t_1$	$\overline{\text{DRDY}}$ high time	$t_{\text{DCLK}} = t_8 + t_9$	$t_{\text{DCLK}} - 10\%$	28		ns
$t_2$	DCLK rising edge to $\overline{\text{DRDY}}$ rising edge				2	ns
$t_3$	DCLK rising to $\overline{\text{DRDY}}$ falling		-3.5		0	ns
$t_4$	DCLK rise to DOUTx valid				1.5	ns
$t_5$	DCLK rise to DOUTx invalid		-3			ns
$t_6$	DOUTx valid to DCLK falling		9.5	$t_{\text{DCLK}}/2$		ns
$t_7$	DCLK falling edge to DOUTx invalid		9.5	$t_{\text{DCLK}}/2$		ns
$t_8$	DCLK high time, DCLK = MCLK/1	50:50 CMOS clock	$t_{\text{DCLK}}/2$	$t_{\text{DCLK}}/2$	$(t_{\text{DCLK}}/2) + 5$	ns
		$t_{8a} = \text{DCLK} = \text{MCLK}/2$	$t_{\text{MCLK}} = 1/\text{MCLK}$	$t_{\text{MCLK}}$		ns
		$t_{8b} = \text{DCLK} = \text{MCLK}/4$		$2 \times t_{\text{MCLK}}$		ns
		$t_{8c} = \text{DCLK} = \text{MCLK}/8$		$4 \times t_{\text{MCLK}}$		ns

Parameter	Description	Test Conditions/Comments	Min	Typ	Max	Unit
t <sub>9</sub>	DCLK low time DCLK = MCLK/1 t <sub>9a</sub> = DCLK = MCLK/2 t <sub>9b</sub> = DCLK = MCLK/4 t <sub>9c</sub> = DCLK = MCLK/8	50:50 CMOS clock	(t <sub>DCLK</sub> /2) – 5	t <sub>MCLK</sub> /2 t <sub>MCLK</sub> 2 × t <sub>MCLK</sub> 4 × t <sub>MCLK</sub>	t <sub>DCLK</sub> /2	ns
t <sub>10</sub>	MCLK rising to DCLK rising	CMOS clock			30	ns
t <sub>11</sub>	Setup time of DOUT6 and DOUT7		14			ns
t <sub>12</sub>	Hold time of DOUT6 and DOUT7		0			ns
t <sub>13</sub>	$\overline{\text{START}}$ low time		1 × t <sub>MCLK</sub>			ns
t <sub>14</sub>	MCLK to SYNC_OUT valid	CMOS clock SYNC_OUT RETIME_EN bit disabled; measured from falling edge of MCLK SYNC_OUT RETIME_EN bit enabled; measured from rising edge of MCLK	4.5 9.5		22 27.5	ns
t <sub>15</sub>	$\overline{\text{SYNC\_IN}}$ setup time	CMOS clock	0			ns
t <sub>16</sub>	$\overline{\text{SYNC\_IN}}$ hold time	CMOS clock	10			ns

<sup>1</sup> These specifications are not production tested but are supported by characterization data at initial product release.

**Table 3. SPI Control Interface Timing<sup>1</sup>**

Parameter	Description	Test Conditions/Comments	Min	Typ	Max	Unit
t <sub>17</sub>	SCLK period		100			ns
t <sub>18</sub>	$\overline{\text{CS}}$ falling edge to SCLK rising edge		26.5			ns
t <sub>19</sub>	SCLK falling edge to $\overline{\text{CS}}$ rising edge		27			ns
t <sub>20</sub>	$\overline{\text{CS}}$ falling edge to data output enable		22.5		40.5	ns
t <sub>21</sub>	SCLK high time		20	50		ns
t <sub>22</sub>	SCLK low time		20	50		ns
t <sub>23</sub>	SCLK falling edge to SDO valid				15	ns
t <sub>24</sub>	SDO hold time after SCLK falling		7			ns
t <sub>25</sub>	SDI setup time		0			ns
t <sub>26</sub>	SDI hold time		6			ns
t <sub>27</sub>	SCLK enable time		0			ns
t <sub>28</sub>	SCLK disable time		0			ns
t <sub>29</sub>	$\overline{\text{CS}}$ high time		10			ns
t <sub>30</sub>	$\overline{\text{CS}}$ low time	f <sub>MOD</sub> = MCLK/4 f <sub>MOD</sub> = MCLK/8 f <sub>MOD</sub> = MCLK/32	1.1 × t <sub>MCLK</sub> 2.2 × t <sub>MCLK</sub> 8.8 × t <sub>MCLK</sub>			ns

<sup>1</sup> These specifications are not production tested but are supported by characterization data at initial product release.

## 1.8 V IOVDD TIMING SPECIFICATIONS

AVDD1A = AVDD1B = 5 V, AVDD2A = AVDD2B = 5 V, IOVDD = 1.72 V to 1.88 V (DREGCAP tied to IOVDD), Input Logic 0 = DGND, Input Logic 1 = IOVDD, C<sub>LOAD</sub> = 10 pF on DCLK pin, C<sub>LOAD</sub> = 20 pF on other digital outputs, T<sub>A</sub> = –40°C to +105°C.

**Table 4. Data Interface Timing<sup>1</sup>**

Parameter	Description	Test Conditions/Comments	Min	Typ	Max	Unit
MCLK	Master clock		1.15		34	MHz
f <sub>MOD</sub>	Modulator frequency	Fast mode Median mode Low power mode		MCLK/4 MCLK/8 MCLK/32		Hz
t <sub>1</sub>	$\overline{\text{DRDY}}$ high time		t <sub>DCLK</sub> – 10%	28		ns
t <sub>2</sub>	DCLK rising edge to $\overline{\text{DRDY}}$ rising edge				2	ns
t <sub>3</sub>	DCLK rising to $\overline{\text{DRDY}}$ falling		–4.5		0	ns

Parameter	Description	Test Conditions/Comments	Min	Typ	Max	Unit
t <sub>4</sub>	DCLK rise to DOUTx valid				2.0	ns
t <sub>5</sub>	DCLK rise to DOUTx invalid		-4			ns
t <sub>6</sub>	DOUTx valid to DCLK falling		8.5	t <sub>DCLK</sub> /2		ns
t <sub>7</sub>	DCLK falling edge to DOUTx invalid		8.5	t <sub>DCLK</sub> /2		ns
t <sub>8</sub>	DCLK high time, DCLK = MCLK/1 t <sub>8a</sub> = DCLK = MCLK/2 t <sub>8b</sub> = DCLK = MCLK/4 t <sub>8c</sub> = DCLK = MCLK/8	50:50 CMOS clock	t <sub>DCLK</sub> /2	t <sub>DCLK</sub> /2 t <sub>MCLK</sub> 2 × t <sub>MCLK</sub> 4 × t <sub>MCLK</sub>	(t <sub>DCLK</sub> /2) + 5	ns ns ns ns
t <sub>9</sub>	DCLK low time DCLK = MCLK/1 t <sub>9a</sub> = DCLK = MCLK/2 t <sub>9b</sub> = DCLK = MCLK/4 t <sub>9c</sub> = DCLK = MCLK/8	50:50 CMOS clock	(t <sub>DCLK</sub> /2) - 5	t <sub>MCLK</sub> /2 t <sub>MCLK</sub> 2 × t <sub>MCLK</sub> 4 × t <sub>MCLK</sub>	t <sub>DCLK</sub> /2	ns ns ns ns
t <sub>10</sub>	MCLK rising to DCLK rising	CMOS clock			37	ns
t <sub>11</sub>	Setup time DOUT6 and DOUT7		14			ns
t <sub>12</sub>	Hold time DOUT6 and DOUT7		0			ns
t <sub>13</sub>	START low time		1 × t <sub>MCLK</sub>			ns
t <sub>14</sub>	MCLK to SYNC_OUT valid	CMOS clock				
		SYNC_OUT RETIME_EN bit disabled; measured from falling edge of MCLK	10		31	ns
		SYNC_OUT RETIME_EN bit enabled; measured from rising edge of MCLK	15		37	ns
t <sub>15</sub>	SYNC_IN setup time	CMOS clock	0			ns
t <sub>16</sub>	SYNC_IN hold time	CMOS clock	11			ns

<sup>1</sup> These specifications are not production tested but are supported by characterization data at initial product release.

**Table 5. SPI Control Interface Timing<sup>1</sup>**

Parameter	Description	Test Conditions/Comments	Min	Typ	Max	Unit
t <sub>17</sub>	SCLK period		100			ns
t <sub>18</sub>	CS falling edge to SCLK rising edge		31.5			ns
t <sub>19</sub>	SCLK falling edge to CS rising edge		30			ns
t <sub>20</sub>	CS falling edge to data output enable		29		54	ns
t <sub>21</sub>	SCLK high time		20	50		ns
t <sub>22</sub>	SCLK low time		20	50		ns
t <sub>23</sub>	SCLK falling edge to SDO valid				16	ns
t <sub>24</sub>	SDO hold time after SCLK falling		7			ns
t <sub>25</sub>	SDI setup time		0			ns
t <sub>26</sub>	SDI hold time		10			ns
t <sub>27</sub>	SCLK enable time		0			ns
t <sub>28</sub>	SCLK disable time		0			ns
t <sub>29</sub>	CS high time		10			ns
t <sub>30</sub>	CS low time	f <sub>MOD</sub> = MCLK/4	1.1 × t <sub>MCLK</sub>			ns
		f <sub>MOD</sub> = MCLK/8	2.2 × t <sub>MCLK</sub>			ns
		f <sub>MOD</sub> = MCLK/32	8.8 × t <sub>MCLK</sub>			ns

<sup>1</sup> These specifications are not production tested but are supported by characterization data at initial product release.

Timing Diagrams

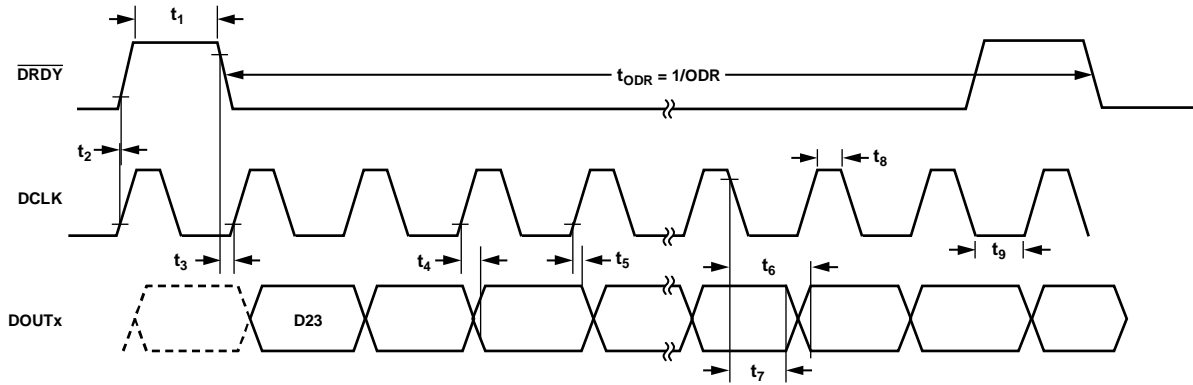


Figure 2. Data Interface Timing Diagram

14285-002

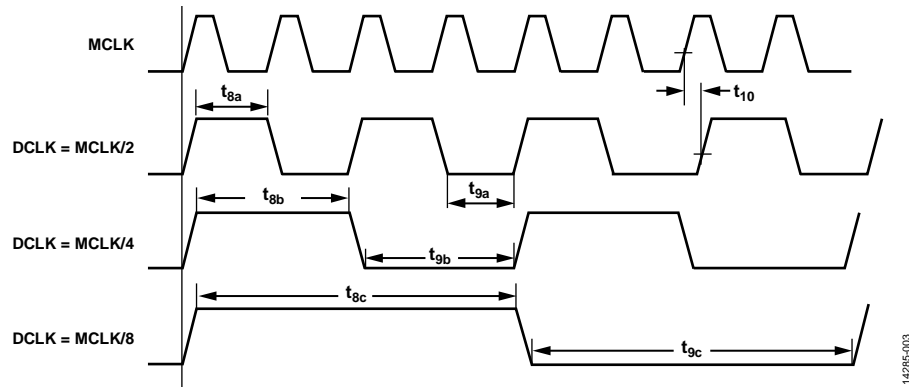


Figure 3. MCLK to DCLK Divider Timing Diagram

14285-003

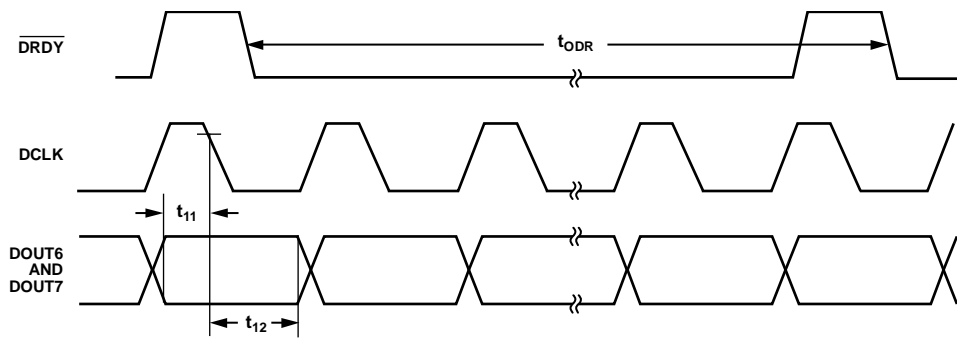


Figure 4. Daisy-Chain Setup and Hold Timing Diagram

14285-004

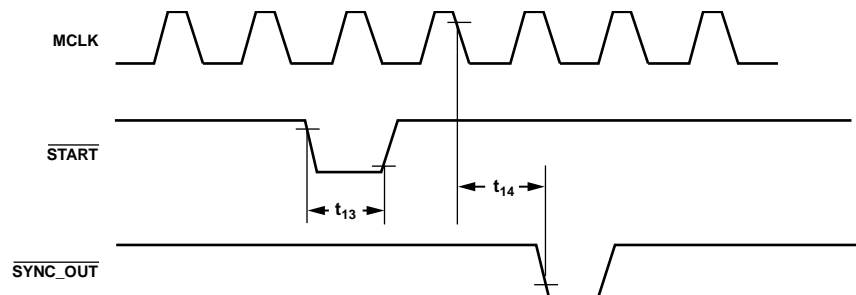


Figure 5. Asynchronous START and SYNC\_OUT Timing Diagram

14285-005

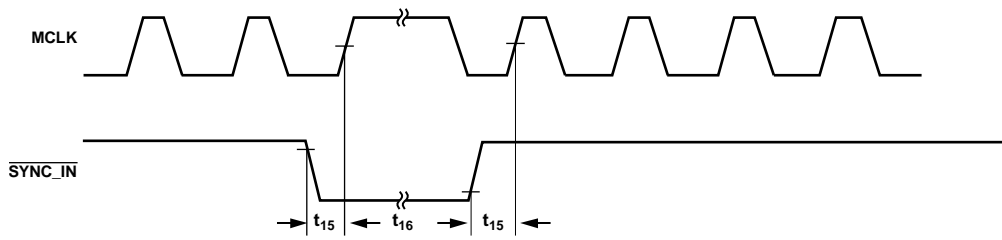


Figure 6. Synchronous SYNC\_IN Pulse Timing Diagram

14285-006

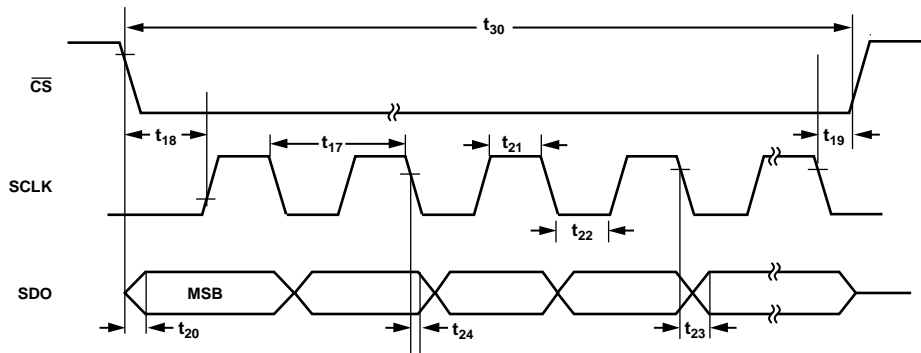


Figure 7. SPI Serial Read Timing Diagram

14285-007

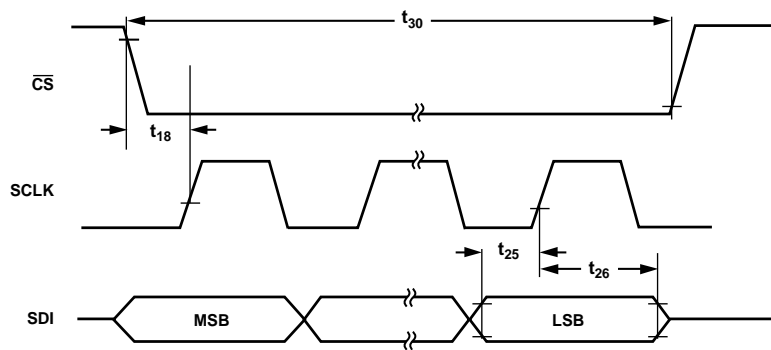


Figure 8. SPI Serial Write Timing Diagram

14285-008

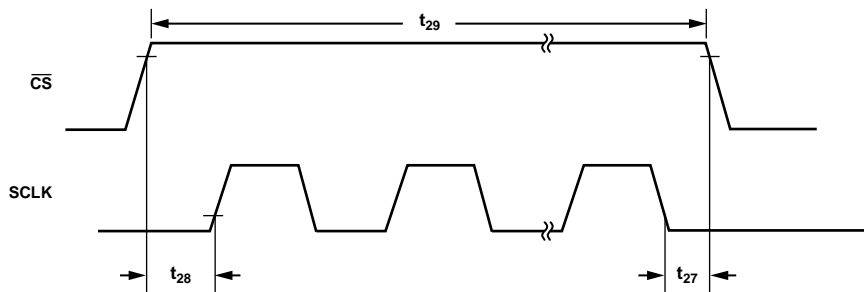


Figure 9. SCLK Enable and Disable Timing Diagram

14285-009

## ABSOLUTE MAXIMUM RATINGS

Table 6.

Parameter	Rating
AVDD1, AVDD2 to AVSS <sup>1</sup>	−0.3 V to +6.5 V
AVDD1 to DGND	−0.3 V to +6.5 V
IOVDD to DGND	−0.3 V to +6.5 V
IOVDD, DREGCAP to DGND (IOVDD Tied to DREGCAP for 1.8V Operation)	−0.3 V to +2.25 V
IOVDD to AVSS	−0.3 V to +7.5 V
AVSS to DGND	−3.25 V to +0.3 V
Analog Input Voltage to AVSS	−0.3 V to AVDD1 + 0.3 V
Reference Input Voltage to AVSS	−0.3 V to AVDD1 + 0.3 V
Digital Input Voltage to DGND	−0.3 V to IOVDD + 0.3 V
Digital Output Voltage to DGND	−0.3 V to IOVDD + 0.3 V
Operating Temperature Range	−40°C to +105°C
Storage Temperature Range	−65°C to +150°C
Pb-Free Temperature, Soldering Reflow (10 sec to 30 sec)	260°C
Maximum Junction Temperature	150°C
Maximum Package Classification Temperature	260°C

<sup>1</sup> Transient currents of up to 100 mA do not cause silicon controlled rectifier (SCR) latch-up.

Stresses at or above those listed under Absolute Maximum Ratings may cause permanent damage to the product. This is a stress rating only; functional operation of the product at these or any other conditions above those indicated in the operational section of this specification is not implied. Operation beyond the maximum operating conditions for extended periods may affect product reliability.

### THERMAL RESISTANCE

Thermal performance is directly linked to PCB design and operating environment. Careful attention to PCB thermal design is required.

Table 7. Thermal Resistance

Package Type	$\theta_{JA}$	$\theta_{JC}$	Unit	JEDEC Board Layers
ST-64-2	38	9.2	°C/W	2P2S <sup>1</sup>

<sup>1</sup> 2P2S is a JEDEC standard PCB configuration per JEDEC Standard JESD51-7.

### ESD CAUTION



**ESD (electrostatic discharge) sensitive device.** Charged devices and circuit boards can discharge without detection. Although this product features patented or proprietary protection circuitry, damage may occur on devices subjected to high energy ESD. Therefore, proper ESD precautions should be taken to avoid performance degradation or loss of functionality.

## PIN CONFIGURATION AND FUNCTION DESCRIPTIONS

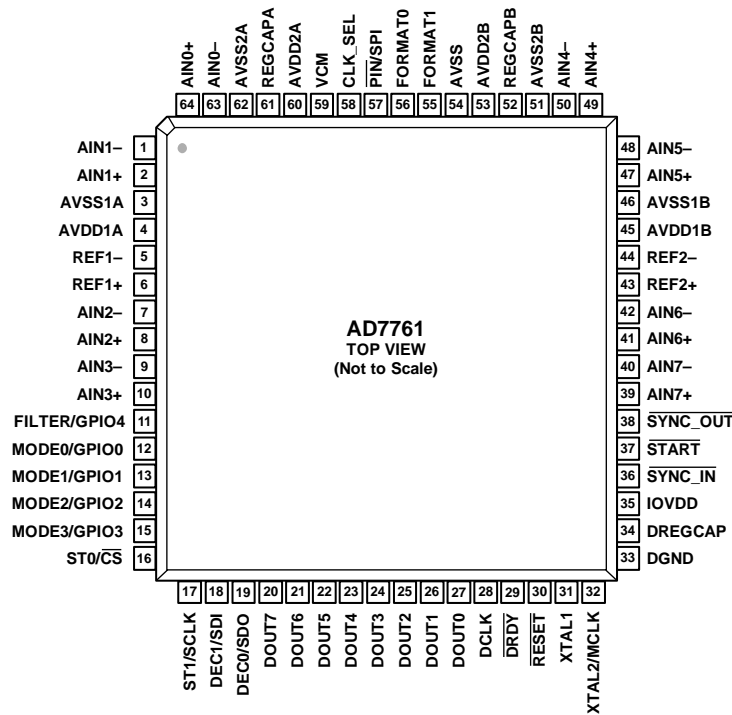


Figure 10. Pin Configuration

Table 8. Pin Function Descriptions

Pin No.	Mnemonic	Type <sup>1</sup>	Description
1	AIN1-	AI	Negative Analog Input to ADC Channel 1.
2	AIN1+	AI	Positive Analog Input to ADC Channel 1.
3	AVSS1A	P	Negative Analog Supply. This pin is nominally 0 V.
4	AVDD1A	P	Analog Supply Voltage, 5 V ± 10% with Respect to AVSS.
5	REF1-	AI	Reference Input Negative. REF1- is the negative reference terminal for Channel 0 to Channel 3. The REF1- voltage range is from AVSS to (AVDD1 - 1 V). Decouple this pin to AVSS with a high quality capacitor, and maintain a low impedance between this capacitor and Pin 3.
6	REF1+	AI	Reference Input Positive. REF1+ is the positive reference terminal for Channel 0 to Channel 3. The REF1+ voltage range is from (AVSS + 1 V) to AVDD1. Apply an external reference differential between REF1+ and REF1- in the range from 1 V to  AVDD1 - AVSS . Decouple this pin to AVSS with a high quality capacitor, and maintain a low impedance between this capacitor and Pin 3.
7	AIN2-	AI	Negative Analog Input to ADC Channel 2.
8	AIN2+	AI	Positive Analog Input to ADC Channel 2.
9	AIN3-	AI	Negative Analog Input to ADC Channel 3.
10	AIN3+	AI	Positive Analog Input to ADC Channel 3.
11	FILTER/GPIO4	DI/O	Filter Select/General-Purpose Input/Output 4. In pin control mode, this pin selects the filter type. Set this pin to Logic 1 for the sinc5 filter. This sinc5 filter is a low latency filter, and is best for dc applications or when a user has specialized postfiltering implemented off chip. Set this pin to Logic 0 for the wideband low ripple filter response. This filter has a steep transition band and 105 dB stop band attenuation. Full attenuation at Nyquist (ODR/2) means that no aliasing occurs at ODR/2 out to the first chopping zone. In SPI control mode, this pin can be used as a general-purpose input/output (GPIO4). For further information on GPIO configuration, see the GPIO Functionality section. In SPI control mode, when not used as a GPIO pin, and when using a crystal as the clock source, this pin must be set to 1.



Pin No.	Mnemonic	Type <sup>1</sup>	Description
12, 13, 14, 15	MODE0/GPIO0, MODE1/GPIO1, MODE2/GPIO2, MODE3/GPIO3	DI/DI/O	Mode Selection/General-Purpose Input/Output Pin 0 to Pin 3. In pin control mode, the MODEx pins set the mode of operation for all ADC channels, controlling power consumption, DCLK frequency, and the ADC conversion type, allowing one-shot conversion operation. In SPI control mode, the GPIOx pins, in addition to the FILTER/GPIO4 pin, form five general-purpose input/output pins (GPIO4 to GPIO0).
16	ST0/ $\overline{\text{CS}}$	DI	Standby 0/Chip Select Input. In pin control mode, a Logic 1 places Channel 0 to Channel 3 into standby mode. In SPI control mode, this pin is the active low chip select input to the SPI control interface.
17	ST1/SCLK	DI	Standby 1/Serial Clock Input. In pin control mode, a Logic 1 places Channel 4 to Channel 7 into standby mode. The crystal excitation circuitry is associated with the Channel 4 circuitry. If Channel 4 is put into standby mode, the crystal circuitry is also disabled for maximum power saving. Channel 4 must be enabled while the external crystal is used on the AD7761. In SPI control mode, this pin is the serial clock input pin for the SPI control interface.
18	DEC1/SDI	DI	Decimation Rate Control Input 1/Serial Data Input. In pin control mode, the DEC0 and DEC1 pins configure the decimation rate for all ADC channels. In SPI control mode, this pin is the serial data input pin used to write data to the AD7761 register bank.
19	DEC0/SDO	DI/O	Decimation Rate Control Input 0/Serial Data Output. In pin control mode, the DEC0 and DEC1 pins configure the decimation rate for all ADC channels. In SPI control mode, this pin is the serial data output pin, allowing readback from the AD7761 registers.
20	DOUT7	DI/O	Conversion Data Output 7. This pin is synchronous to DCLK and framed by $\overline{\text{DRDY}}$ . This pin acts as a digital input from a separate AD7761 device if configured in a synchronized multidevice daisy chain when the FORMATx pins are configured as 01. To use the AD7761 in a daisy chain, hardwire the FORMATx pins as either 01, 10, or 11, depending on the best interfacing format for the application. When FORMATx is set to 10 or 11, connect this pin to ground through a pull-down resistor.
21	DOUT6	DI/O	Conversion Data Output 6. This pin is synchronous to DCLK and framed by $\overline{\text{DRDY}}$ . This pin acts as a digital input from a separate AD7761 device if configured in a synchronized multidevice daisy chain. To use this pin in a daisy chain, hardwire the FORMATx pins as either 01, 10, or 11, depending on the best interfacing format for the application.
22	DOUT5	DO	Conversion Data Output 5. This pin is synchronous to DCLK and framed by $\overline{\text{DRDY}}$ .
23	DOUT4	DO	Conversion Data Output 4. This pin is synchronous to DCLK and framed by $\overline{\text{DRDY}}$ .
24	DOUT3	DO	Conversion Data Output 3. This pin is synchronous to DCLK and framed by $\overline{\text{DRDY}}$ .
25	DOUT2	DO	Conversion Data Output 2. This pin is synchronous to DCLK and framed by $\overline{\text{DRDY}}$ .
26	DOUT1	DO	Conversion Data Output 1. This pin is synchronous to DCLK and framed by $\overline{\text{DRDY}}$ .
27	DOUT0	DO	Conversion Data Output 0. This pin is synchronous to DCLK and framed by $\overline{\text{DRDY}}$ .
28	DCLK	DO	ADC Conversion Data Clock. This pin clocks conversion data out to the digital host, either digital signal processing (DSP) or field programmable gate array (FPGA). This pin is synchronous with $\overline{\text{DRDY}}$ and any conversion data output on DOUT0 to DOUT7 and is derived from the MCLK signal. This pin is unrelated to the control SPI interface.
29	$\overline{\text{DRDY}}$	DO	Data Ready. Periodic signal output framing the conversion results from the eight ADCs. This pin is synchronous to DCLK and DOUT0 to DOUT7.
30	$\overline{\text{RESET}}$	DI	Hardware Asynchronous Reset Input. After the device is fully powered up, it is recommended to perform a hard or soft reset.
31	XTAL1	DI	Input 1 for Crystal or Connection to an LVDS Clock. When CLK_SEL is 0, connect XTAL1 to DGND. In SPI control mode, when using a crystal source, the FILTER pin must be set to Logic 1 for correct operation.

Pin No.	Mnemonic	Type <sup>1</sup>	Description
32	XTAL2/MCLK	DI	Input 2 for CMOS or Crystal/LVDS Sampling Clock. See the CLK_SEL pin for the details of this configuration. External crystal. XTAL2 is connected to the external crystal. In SPI control mode, when using a crystal source, the FILTER pin must be set to Logic 1 for correct operation. LVDS. A second LVDS input is connected to this pin. CMOS clock. This pin operates as an MCLK input. CMOS input with logic level of IOVDD/DGND. Set FILTER pin to Logic 1 for crystal clock source.
33	DGND	P	Digital Ground. This pin is nominally 0 V.
34	DREGCAP	AO	Digital Low Dropout (LDO) Regulator Output. Decouple this pin to DGND with a high quality, low equivalent series resistance (ESR), 10 $\mu$ F capacitor. For optimum performance, use a decoupling capacitor with an ESR specification between 50 m $\Omega$ and 400 m $\Omega$ . This pin is not for use in circuits external to the AD7761. For 1.8 V IOVDD operation, connect this pin to IOVDD via an external trace to provide power to the digital processing core.
35	IOVDD	P	Digital Supply. This pin sets the logic levels for all interface pins. IOVDD also powers the digital processing core via the digital LDO when IOVDD is at least 2.25 V. For 1.8 V IOVDD operation, connect this pin to DREGCAP via an external trace to provide power to the digital processing core.
36	$\overline{\text{SYNC\_IN}}$	DI	Synchronization Input. $\overline{\text{SYNC\_IN}}$ receives the synchronous signal from $\overline{\text{SYNC\_OUT}}$ . It is used in the synchronization of any AD7761 that requires simultaneous sampling or is in a daisy chain. Ignore the $\overline{\text{START}}$ and $\overline{\text{SYNC\_OUT}}$ functions if the $\overline{\text{SYNC\_IN}}$ pin is connected to the system synchronization pulse. This signal pulse must be synchronous to the MCLK clock domain.
37	$\overline{\text{START}}$	DI	Start Signal. The $\overline{\text{START}}$ pulse synchronizes the AD7761 to other devices. The signal can be asynchronous. The AD7761 samples the input and then outputs a $\overline{\text{SYNC\_OUT}}$ pulse. This $\overline{\text{SYNC\_OUT}}$ pulse must be routed to the $\overline{\text{SYNC\_IN}}$ pin of this device and any other AD7761 devices that must be synchronized together. This means that the user does not need to run the ADCs and their digital host from the same clock domain, which is useful when there are long traces or back planes between the ADC and the controller. If this pin is not used, it must be tied to a Logic 1 through a pull-up resistor.
38	$\overline{\text{SYNC\_OUT}}$	DO	Synchronization Output. This pin operates only when using the $\overline{\text{START}}$ input. When using the $\overline{\text{START}}$ input feature, the $\overline{\text{SYNC\_OUT}}$ pin must be connected to $\overline{\text{SYNC\_IN}}$ via an external trace. $\overline{\text{SYNC\_OUT}}$ is a digital output that is synchronous to the MCLK signal; the synchronization signal driven in on $\overline{\text{START}}$ is internally synchronized to the MCLK signal and is driven out on $\overline{\text{SYNC\_OUT}}$ . $\overline{\text{SYNC\_OUT}}$ can also be routed to other AD7761 devices requiring simultaneous sampling and/or daisy-chaining, ensuring synchronization of devices related to the MCLK clock domain. It must then be wired to drive the $\overline{\text{SYNC\_IN}}$ pin on the same AD7761 and on the other AD7761 devices.
39	AIN7+	AI	Positive Analog Input to ADC Channel 7.
40	AIN7-	AI	Negative Analog Input to ADC Channel 7.
41	AIN6+	AI	Positive Analog Input to ADC Channel 6.
42	AIN6-	AI	Negative Analog Input to ADC Channel 6.
43	REF2+	AI	Reference Input Positive. REF2+ is the positive reference terminal for Channel 4 to Channel 7. The REF2+ voltage range is from (AVSS + 1 V) to AVDD1. Apply an external reference differential between REF2+ and REF2- in the range from 1 V to  AVDD1 - AVSS . Decouple this pin to AVSS with a high quality capacitor, and maintain a low impedance between this capacitor and Pin 46.
44	REF2-	AI	Reference Input Negative. REF2- is the negative reference terminal for Channel 4 to Channel 7. The REF2- voltage range is from AVSS to (AVDD1 - 1 V). Decouple this pin to AVSS with a high quality capacitor, and maintain a low impedance between this capacitor and Pin 46.
45	AVDD1B	P	Analog Supply Voltage. This pin is 5 V $\pm$ 10% with respect to AVSS.
46	AVSS1B	P	Negative Analog Supply. This pin is nominally 0 V.
47	AIN5+	AI	Positive Analog Input to ADC Channel 5.
48	AIN5-	AI	Negative Analog Input to ADC Channel 5.
49	AIN4+	AI	Positive Analog Input to ADC Channel 4.
50	AIN4-	AI	Negative Analog Input to ADC Channel 4.
51	AVSS2B	P	Negative Analog Supply. This pin is nominally 0 V.
52	REGCAPB	AO	Analog LDO Regulator Output. Decouple this pin to AVSS with a 1 $\mu$ F capacitor.
53	AVDD2B	P	Analog Supply Voltage. This pin is 2 V to 5.5 V with respect to AVSS.
54	AVSS	P	Negative Analog Supply. This pin is nominally 0 V.

Pin No.	Mnemonic	Type <sup>1</sup>	Description
55, 56	FORMAT1, FORMAT0	DI	Format Selection Pins. Hardwire the FORMATx pins to the required values in pin control and SPI control mode. These pins set the number of DOUTx pins used to output ADC conversion data. The FORMATx pins are checked by the AD7761 on power-up; the AD7761 then remains in this data output configuration.
57	$\overline{\text{PIN/SPI}}$	DI	Pin Control/SPI Control. This pin sets the control method.  Logic 0 = pin control mode for the AD7761. Pin control mode allows pin strapped configuration of the AD7761 by tying logic input pins to the required logic levels. Tie the logic pins (MODE0 to MODE4, DEC0 and DEC1, and FILTER) as required for the configuration.  Logic 1 = SPI control mode for the AD7761. Use the SPI control interface signals ( $\overline{\text{CS}}$ , SCLK, SDI, and SDO) for reading and writing to the AD7761 memory map.
58	CLK_SEL	DI	Clock Select.  0 = pull this pin low for the CMOS clock option. The clock is applied to Pin 32 (connect Pin 31 to DGND).  1 = pull this pin high for the crystal or LVDS clock option. The crystal or LVDS clock is applied to Pin 31 and Pin 32. The LVDS option is available only in SPI control mode. A write is required to enable the LVDS clock option.
59	VCM	AO	Common-Mode Voltage Output. This pin outputs $(\text{AVDD1} - \text{AVSS})/2$ , which is 2.5 V by default in pin control mode. Configure this pin to $(\text{AVDD1} - \text{AVSS})/2$ , 2.5 V, 2.14 V, or 1.65 V in SPI control mode. When driving capacitive loads larger than 0.1 $\mu\text{F}$ , it is recommended to place a 50 $\Omega$ series resistor between this pin and the capacitive load for stability.
60	AVDD2A	P	Analog Supply Voltage. This pin is 2 V to 5.5 V with respect to AVSS.
61	REGCAPA	AO	Analog LDO Regulator Output. Decouple this pin to AVSS with a 1 $\mu\text{F}$ capacitor.
62	AVSS2A	P	Negative Analog Supply. This pin is nominally 0 V.
63	AIN0-	AI	Negative Analog Input to ADC Channel 0.
64	AIN0+	AI	Positive Analog Input to ADC Channel 0.

<sup>1</sup> AI is analog input, P is power, DI/O is digital input/output, DI is digital input, DO is digital output, and AO is analog output.

# TYPICAL PERFORMANCE CHARACTERISTICS

AVDD1 = 5 V, AVDD2 = 2.5 V, AVSS = 0 V, IOVDD = 2.5 V, V<sub>REF</sub> = 4.096 V, T<sub>A</sub> = 25°C, wideband filter, decimation = ×32, MCLK = 32.768 MHz, analog input precharge buffers on, precharge reference buffers off, unless otherwise noted.

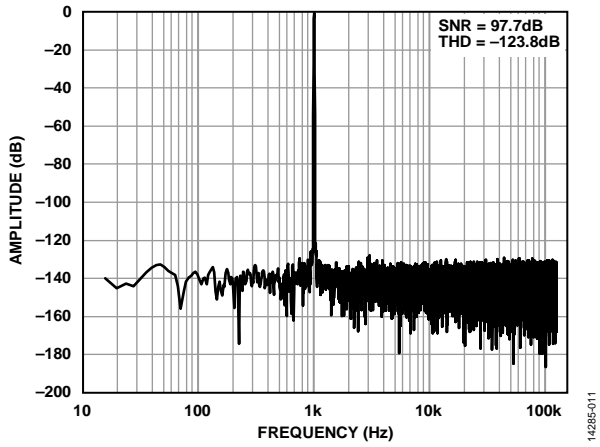


Figure 11. Fast Fourier Transform (FFT), Fast Mode, Wideband Filter, -0.5 dBFS

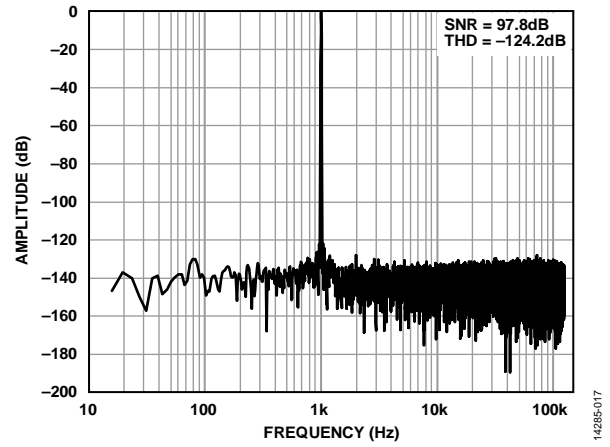


Figure 14. FFT, Fast Mode, Sinc5 Filter, -0.5 dBFS

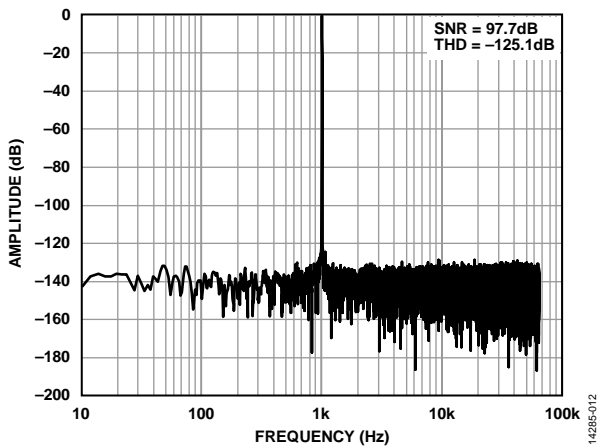


Figure 12. FFT, Median Mode, Wideband Filter, -0.5 dBFS

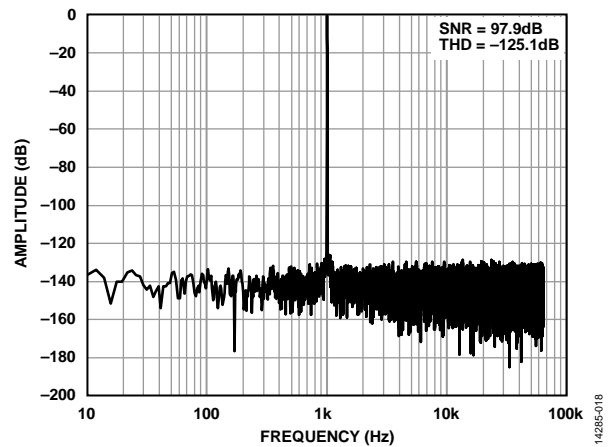


Figure 15. FFT, Median Mode, Sinc5 Filter, -0.5 dBFS

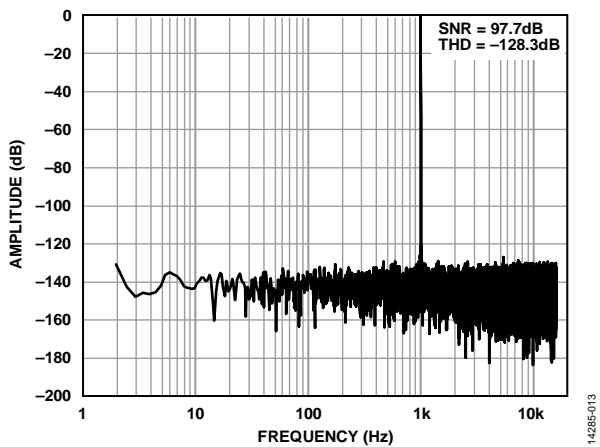


Figure 13. FFT, Low Power Mode, Wideband Filter, -0.5 dBFS

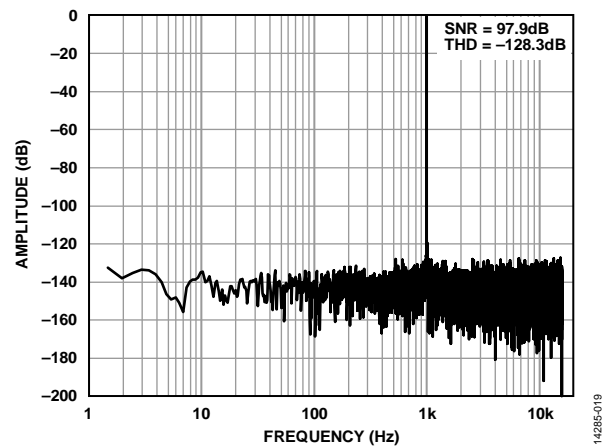


Figure 16. FFT, Low Power Mode, Sinc5 Filter, -0.5 dBFS

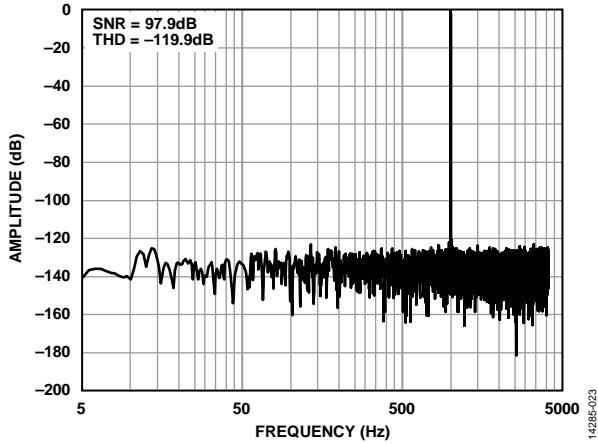


Figure 17. FFT One-Shot Mode, Sinc5 Filter, Median Mode, Decimation = x64, -0.5 dBFS, SYNC\_IN Frequency = MCLK/4000

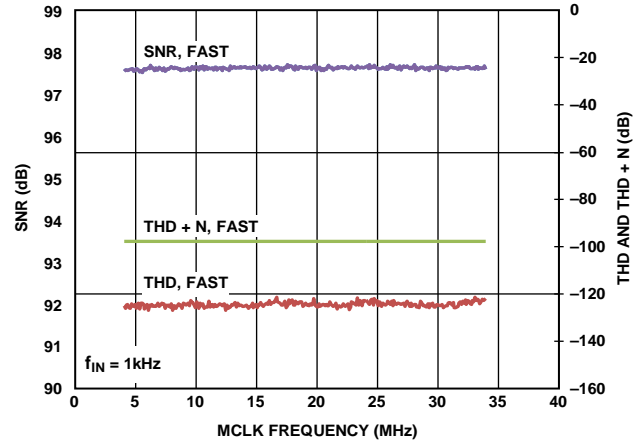


Figure 20. SNR, THD, and THD + N vs. MCLK Frequency

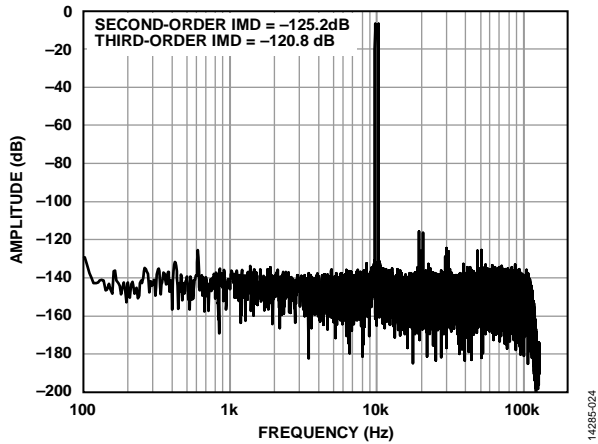


Figure 18. IMD with Input Signals at 9.7 kHz and 10.3 kHz

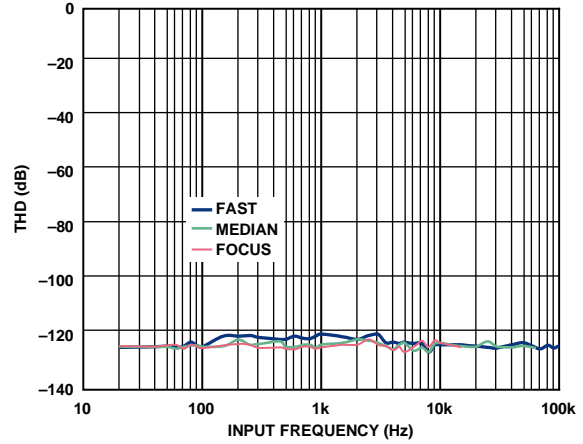


Figure 21. THD vs. Input Frequency, Three Power Modes, Wideband Filter

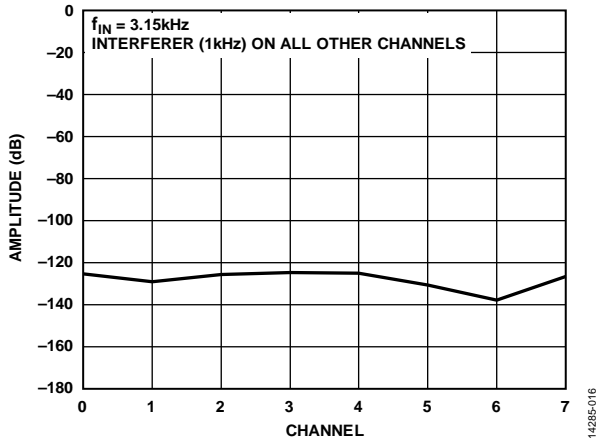


Figure 19. Crosstalk

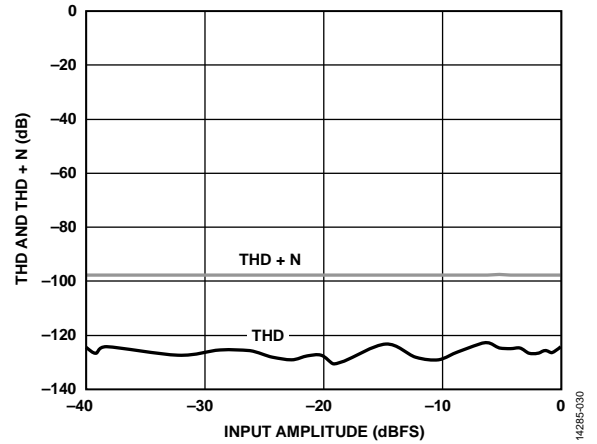


Figure 22. THD and THD + N vs. Input Amplitude, Wideband Filter, Fast Mode

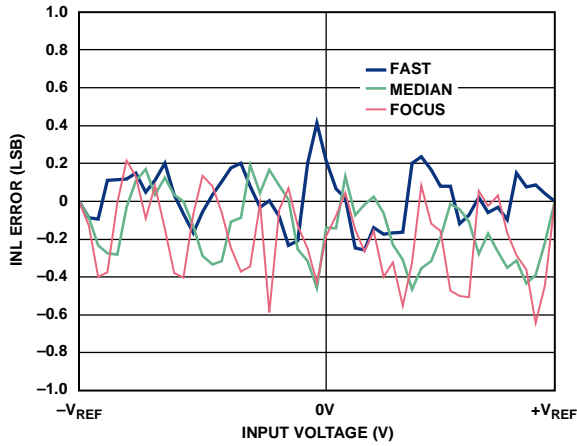


Figure 23. INL Error vs. Input Voltage

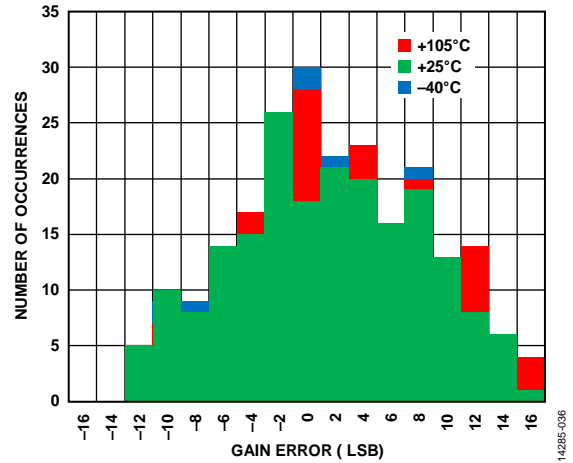


Figure 26. Gain Error Distribution (100 Devices Sampled)

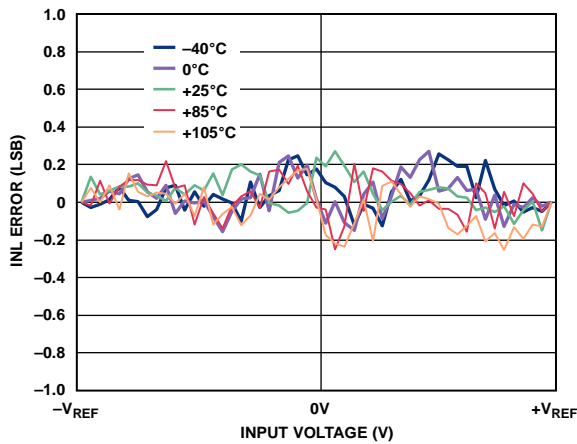


Figure 24. INL Error vs. Input Voltage for Various Temperatures, Fast Mode

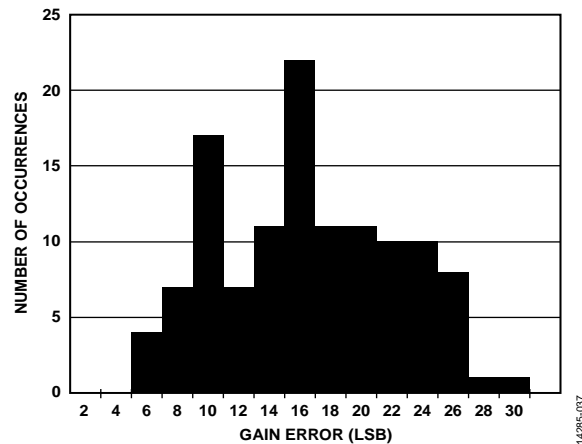


Figure 27. Channel to Channel Gain Error Matching (100 Devices Sampled)

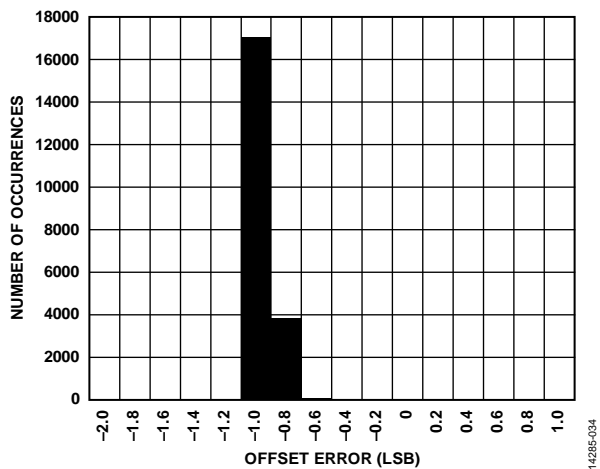


Figure 25. Offset Error Distribution (Approximately 2500 Devices Sampled)

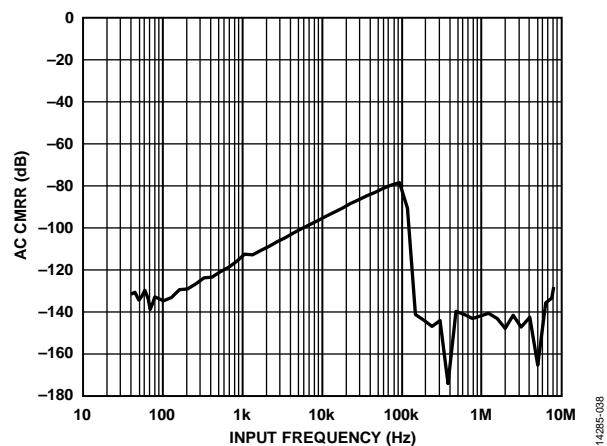


Figure 28. AC CMRR vs. Input Frequency

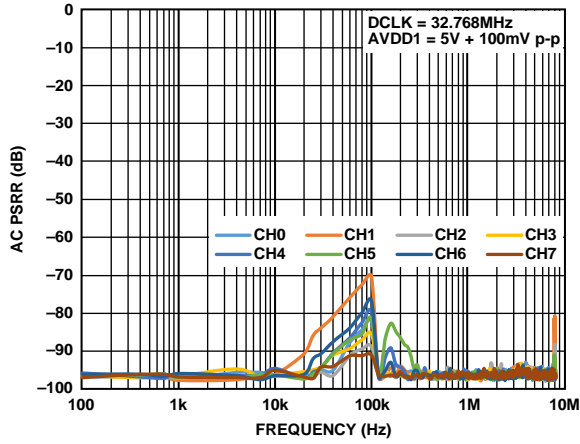


Figure 29. AC PSRR vs. Frequency, AVDD1

14285-039

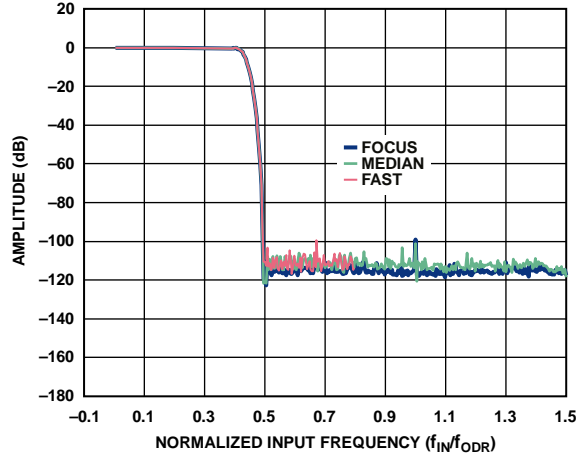


Figure 32. Wideband Filter Profile, Amplitude vs.  $f_{IN}/f_{ODR}$

14285-042

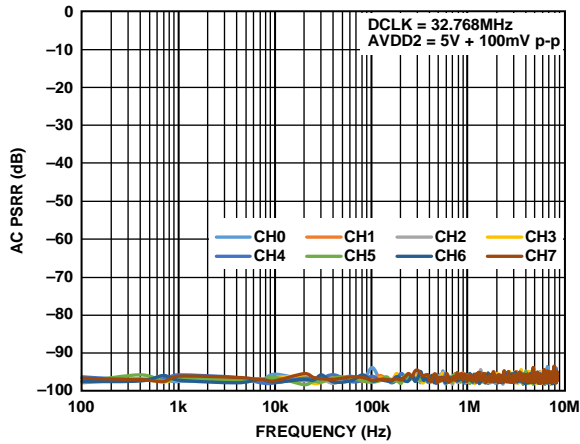


Figure 30. AC PSRR vs. Frequency, AVDD2

14285-040

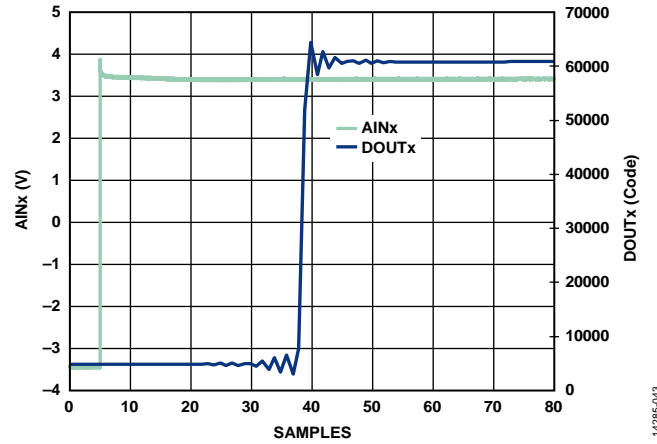


Figure 33. Step Response, Wideband Filter

14285-043

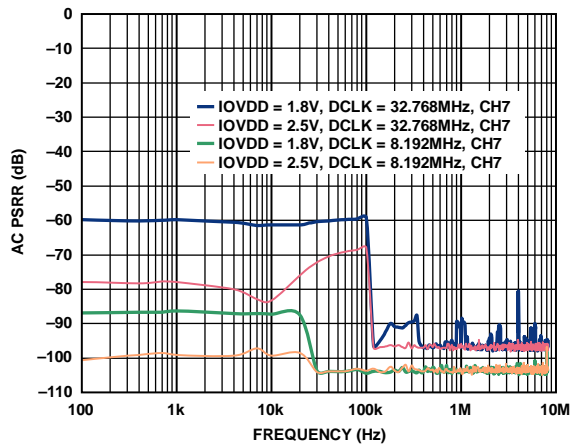


Figure 31. AC PSRR vs. Frequency, IOVDD

14285-041

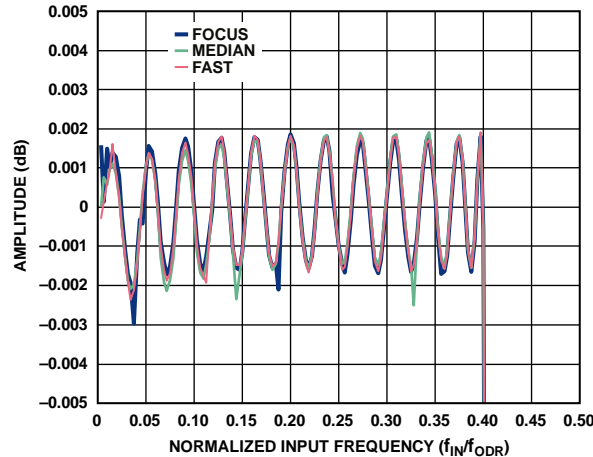


Figure 34. Wideband Filter Ripple

14285-044

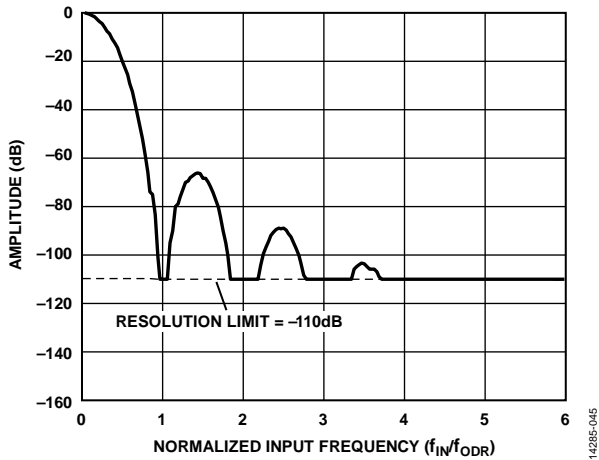


Figure 35. Sinc5 Filter Profile, Amplitude vs.  $f_{IN}/f_{ODR}$

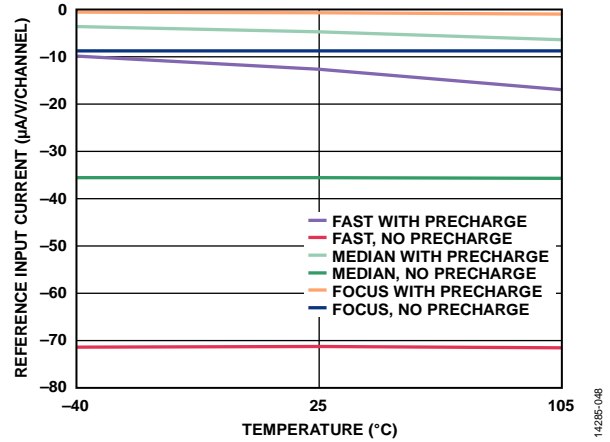


Figure 38. Reference Input Current vs. Temperature, Reference Precharge Buffers On/Off

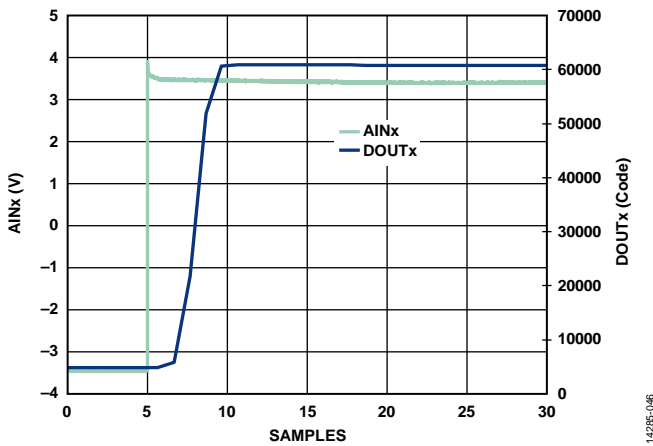


Figure 36. Step Response, Sinc5 Filter

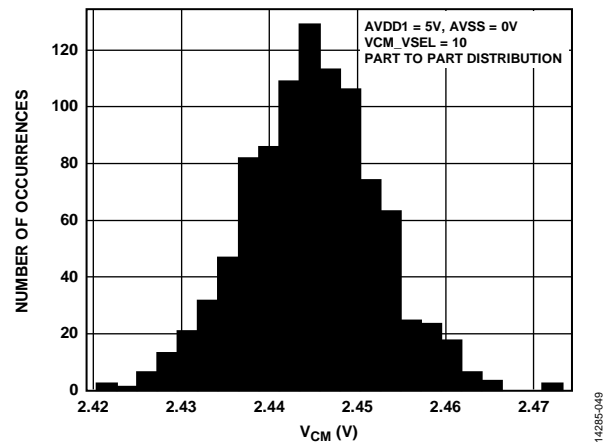


Figure 39. VCM Output Voltage Distribution

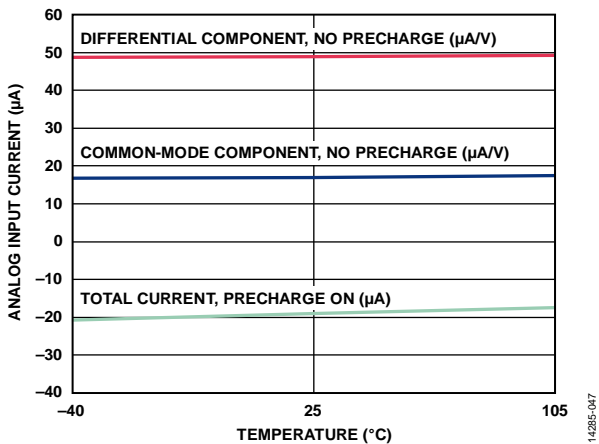


Figure 37. Analog Input Current vs. Temperature, Analog Input Precharge Buffers On/Off

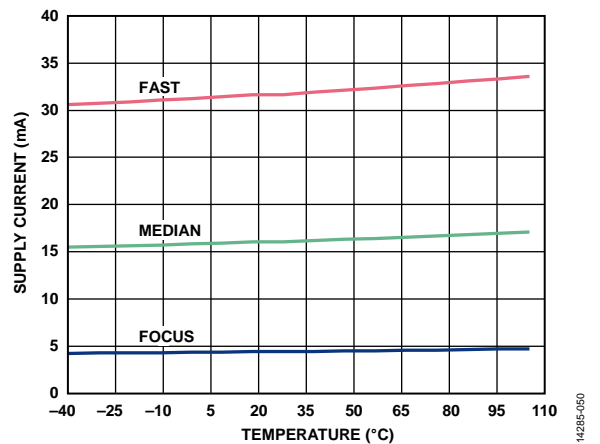


Figure 40. Supply Current vs. Temperature, AVDD1



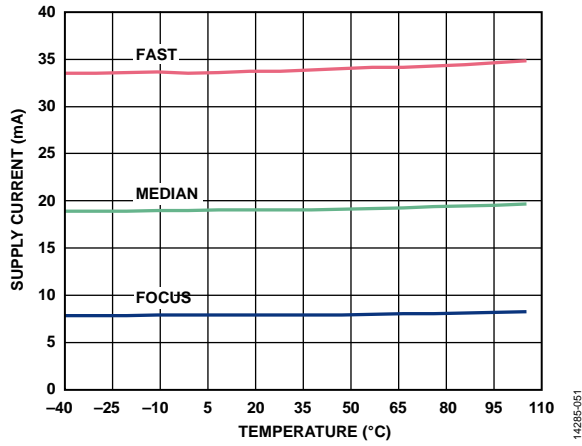


Figure 41. Supply Current vs. Temperature, AVDD2

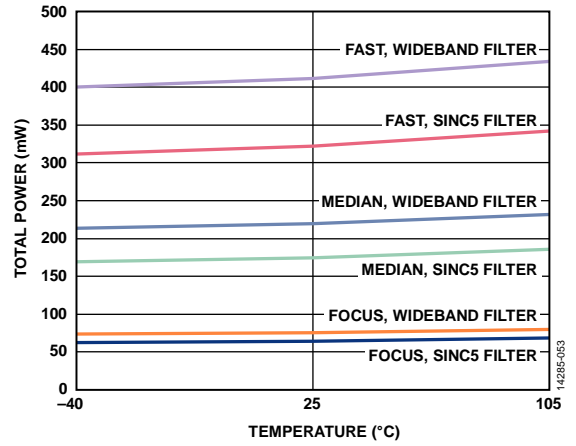


Figure 43. Total Power vs. Temperature

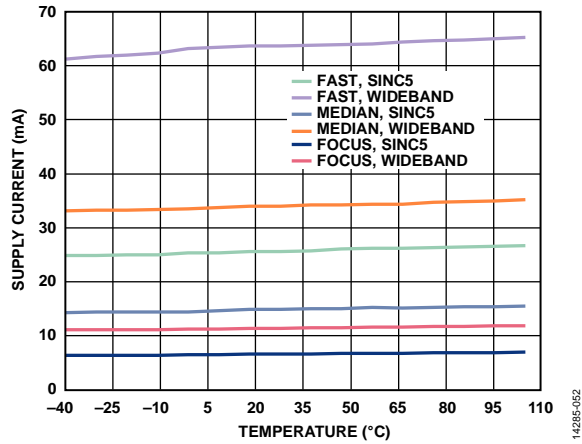


Figure 42. Supply Current vs. Temperature, IOVDD

## TERMINOLOGY

### AC Common-Mode Rejection Ratio (AC CMRR)

AC CMRR is defined as the ratio of the power in the ADC output at frequency,  $f$ , to the power of a sine wave applied to the common-mode voltage of AIN<sub>x+</sub> and AIN<sub>x-</sub> at frequency,  $f_s$ .

$$AC\ CMRR\ (dB) = 10\log(P_f/P_{f_s})$$

where:

$P_f$  is the power at frequency,  $f$ , in the ADC output.

$P_{f_s}$  is the power at frequency,  $f_s$ , in the ADC output.

### Gain Error

The first transition (from 100 ... 000 to 100 ... 001) occurs at a level ½ LSB above nominal negative full scale (–4.0959375 V for the ±4.096 V range). The last transition (from 011 ... 110 to 011 ... 111) occurs for an analog voltage 1½ LSB below the nominal full scale (+4.0959375 V for the ±4.096 V range). The gain error is the deviation of the difference between the actual level of the last transition and the actual level of the first transition from the difference between the ideal levels.

### Gain Error Drift

Gain error drift is defined as the gain error change due to a temperature change of 1°C. It is expressed in parts per million per degree Celsius.

### Integral Nonlinearity (INL) Error

INL error refers to the deviation of each individual code from a line drawn from negative full scale through positive full scale. The point used as negative full scale occurs ½ LSB before the first code transition. Positive full scale is defined as a level 1½ LSB beyond the last code transition. The deviation is measured from the middle of each code to the true straight line.

### Intermodulation Distortion (IMD)

With inputs consisting of sine waves at two frequencies,  $f_a$  and  $f_b$ , any active device with nonlinearities creates distortion products at the sum and difference frequencies of  $m f_a$  and  $n f_b$ , where  $m, n = 0, 1, 2, 3$ , and so on. Intermodulation distortion terms are those for which neither  $m$  or  $n$  are equal to 0. For example, the second-order terms include  $(f_a + f_b)$  and  $(f_a - f_b)$ , and the third-order terms include  $(2f_a + f_b)$ ,  $(2f_a - f_b)$ ,  $(f_a + 2f_b)$ , and  $(f_a - 2f_b)$ .

The AD7761 is tested using the CCIF standard, in which two input frequencies near to each other are used. In this case, the second-order terms are usually distanced in frequency from the original sine waves, and the third-order terms are usually at a frequency close to the input frequencies.

As a result, the second-order and third-order terms are specified separately. The calculation of the intermodulation distortion is as per the THD specification, where it is the ratio of the rms sum of the individual distortion products to the rms amplitude of the sum of the fundamentals, expressed in decibels.

### Least Significant Bit (LSB)

The least significant bit, or LSB, is the smallest increment that can be represented by a converter. For a fully differential input ADC with  $N$  bits of resolution, the LSB expressed in volts is as follows:

$$LSB\ (V) = (2 \times V_{REF})/2^N$$

where:

$V_{REF}$  is the difference voltage between the REF<sub>x+</sub> and REF<sub>x-</sub> pins.  
 $N = 16$ .

### Offset Error

Offset error is the difference between the ideal midscale input voltage (0 V) and the actual voltage producing the midscale output code.

### Power Supply Rejection Ratio (PSRR)

Variations in power supply affect the full-scale transition but not the linearity of the converter. PSRR is the maximum change in the full-scale transition point due to a change in the power supply voltage from the nominal value.

### Signal-to-Noise Ratio (SNR)

SNR is the ratio of the rms value of the actual input signal to the rms sum of all other spectral components below the Nyquist frequency, excluding harmonics and dc. The value for SNR is expressed in decibels.

### Signal-to-Noise-and-Distortion Ratio (SINAD)

SINAD is the ratio of the rms value of the actual input signal to the rms sum of all other spectral components below the Nyquist frequency, including harmonics but excluding dc. The value for SINAD is expressed in decibels.

### Spurious-Free Dynamic Range (SFDR)

SFDR is the difference, in decibels, between the rms amplitude of the input signal and the peak spurious signal (excluding the first five harmonics).

### Total Harmonic Distortion (THD)

THD is the ratio of the rms sum of the first five harmonic components to the rms value of a full-scale input signal and is expressed in decibels.

## THEORY OF OPERATION

The AD7761 is an 8-channel, simultaneously sampled, low noise,  $\Sigma$ - $\Delta$  ADC.

Each ADC within the AD7761 employs a  $\Sigma$ - $\Delta$  modulator whose clock runs at a frequency of  $f_{MOD}$ . The modulator samples the inputs at a rate of  $2 \times f_{MOD}$ , to convert the analog input into an equivalent 16-bit digital representation, and these samples therefore represent a quantized version of the analog input signal.

The  $\Sigma$ - $\Delta$  conversion technique is an oversampled architecture. This oversampled approach spreads the quantization noise over a wide frequency band (see Figure 44). To reduce the quantization noise in the signal band, the high order modulator shapes the noise spectrum so that most of the noise energy is shifted out of the band of interest (see Figure 45). The digital filter that follows the modulator removes the large out of band quantization noise (see Figure 46).

For further information on the basics as well as more advanced concepts of  $\Sigma$ - $\Delta$  ADCs, see the [MT-022 Tutorial](#) and the [MT-023 Tutorial](#).

Digital filtering has certain advantages over analog filtering. First, it is insensitive to component tolerances and the variation of component parameters over time and temperature. And because digital filtering on the AD7761 occurs after the analog-to-digital conversion, it can remove some of the noise injected during the conversion process; analog filtering cannot remove noise injected during conversion. Second, the digital filter combines low pass-band ripple with a steep roll-off and high stop-band attenuation, while also maintaining a linear phase response, which is difficult to achieve in an analog filter implementation.

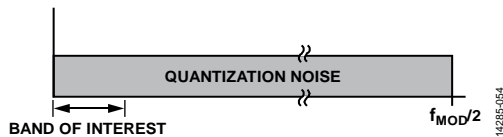


Figure 44.  $\Sigma$ - $\Delta$  ADC Quantization Noise (Linear Scale X-Axis)

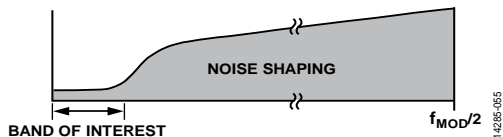


Figure 45.  $\Sigma$ - $\Delta$  ADC Noise Shaping (Linear Scale X-Axis)

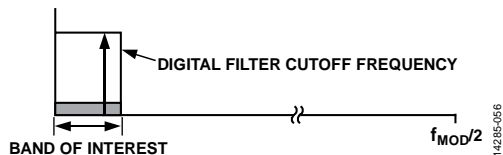


Figure 46.  $\Sigma$ - $\Delta$  ADC Digital Filter Cutoff Frequency (Linear Scale X-Axis)

## CLOCKING, SAMPLING TREE, AND POWER SCALING

The AD7761 includes multiple ADC cores. Each of these ADCs receives the same master clock signal, MCLK. The MCLK signal can be sourced from one of three options: a CMOS clock, a crystal connected between the XTAL1 and XTAL2 pins, or in the form of an LVDS signal. The MCLK signal received by the AD7761 is used to define the modulator clock rate,  $f_{MOD}$ , and in turn the sampling frequency of the modulator of  $2 \times f_{MOD}$ . The same MCLK signal is also used to define the digital output clock, DCLK. The  $f_{MOD}$  and DCLK internal signals are synchronous with MCLK.

Figure 47 shows the clock tree from the MCLK input to the modulator, the digital filter, and the DCLK output. There are divider settings for MCLK and DCLK. These dividers, in conjunction with the power mode and digital filter decimation settings, are key to the operation of the AD7761.

The AD7761 has the ability to scale power consumption vs. the input bandwidth or desired noise. The user controls two parameters to achieve this: MCLK division and power mode. When combined, these two settings determine the clock frequency of the modulator ( $f_{MOD}$ ) and the bias current supplied to each modulator. The power mode (fast, median, or low power) sets the noise, speed capability, and current consumption of the modulator. The power mode is the dominant control for scaling the power consumption of the ADC. All settings of MCLK division and power mode apply to all ADC channels.

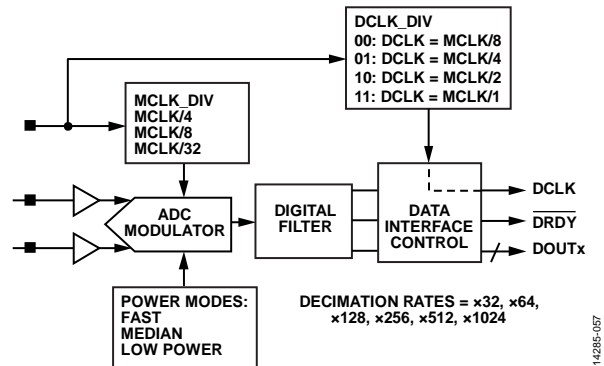


Figure 47. Sampling Structure, Defined by the MCLK, DCLK\_DIV, and MCLK\_DIV Settings

The modulator clock frequency ( $f_{MOD}$ ) is determined by selecting one of three clock divider settings: MCLK/4, MCLK/8, or MCLK/32.

Although the MCLK division and power modes are independent settings, there are restrictions that must be adhered to. A valid range of modulator frequencies exists for each power mode. Table 9 describes this recommended range, which allows the device to achieve the best performance while minimizing power consumption. The AD7761 specifications do not cover the performance and function beyond the maximum  $f_{MOD}$  for a given power mode.

For example, to maximize the speed of conversion or input bandwidth in fast mode, an MCLK of 32.768 MHz is required and MCLK\_DIV = 4 must be selected for a modulator frequency of 8.192 MHz.

**Table 9. Recommended  $f_{MOD}$  Range for Each Power Mode**

Power Mode	Recommended $f_{MOD}$ (MHz), MCLK = 32.768 MHz
Low Power	0.036 to 1.024
Median	1.024 to 4.096
Fast	4.096 to 8.192

Control of the settings for the power mode, the modulator frequency, and the data clock frequency differs in pin control mode vs. SPI control mode.

In SPI control mode, the user can program the power mode, the MCLK divider (MCLK\_DIV), and the DCLK frequency using Register 0x04 and Register 0x07 (see Table 38 and Table 41 for register information). Independent selection of the power mode and MCLK\_DIV allows full freedom in the MCLK speed selection to achieve a target modulator frequency.

In pin control mode, the MODEx pins determine the power mode, the modulator frequency, and the DCLK frequency. The modulator frequency tracks the power mode. This means that  $f_{MOD}$  is fixed at MCLK/32 for low power mode, MCLK/8 for median mode, and MCLK/4 for fast mode (see Table 18).

#### **Example of Power vs. Noise Performance Optimization**

Depending on the bandwidth of interest for the measurement, the user can choose a strategy of either lowest current consumption or highest resolution. This choice is due to an overlap in the coverage of each power mode. The AD7761 offers the ability to balance the MCLK division ratio with the rate of decimation (averaging) set in the digital filter. Lower power can be achieved by using lower modulator clock frequencies. Conversely, the highest resolution can be achieved by using higher modulator clock frequencies and maximizing the amount of oversampling.

As an example, consider a system constraint with a maximum available MCLK of 16 MHz. The system is targeting a measurement bandwidth of approximately 25 kHz with the wideband filter, setting the output data rate of the AD7761 to 62.5 kHz. Because of the low MCLK frequency available and the system power budget, median power mode is used.

In median power mode, this 25 kHz input bandwidth can be achieved by setting the MCLK division and decimation ratio to balance, using two configurations (Configuration A and Configuration B). This flexibility is possible in SPI control mode only.

#### **Configuration A**

To maximize the dynamic range, use the following settings:

- MCLK = 16 MHz
- Median power
- $f_{MOD} = MCLK/4$
- Decimation =  $\times 64$  (digital filter setting)
- ODR = 62.5 kHz

This configuration maximizes the available decimation rate (or oversampling ratio) for the bandwidth required and MCLK rate available. The decimation averages the noise from the modulator, maximizing the dynamic range.

#### **Configuration B**

To minimize power, use the following settings:

- MCLK = 16 MHz
- Median power
- $f_{MOD} = MCLK/8$
- Decimation =  $\times 32$  (digital filter setting)
- ODR = 62.5 kHz

This configuration reduces the clocking speed of the modulator and the digital filter.

When compared to Configuration A, Configuration B saves 48 mW of power. The trade-off in the case of Configuration B is that the digital filter must run at a  $2\times$  lower decimation rate. This  $2\times$  reduction in decimation rate (or oversampling ratio) results in a 3 dB reduction in the dynamic range vs. Configuration A.

#### **Clocking Out the ADC Conversion Results (DCLK)**

The AD7761 DCLK is a divided version of the master clock input. As shown in Figure 47, the DCLK\_DIV setting determines the speed of the DCLK. DCLK is a continuous clock.

The user can set the DCLK frequency rate to one of four divisions of MCLK: MCLK/1, MCLK/2, MCLK/4, and MCLK/8. Because there are eight channels and 24 bits of data per conversion, the conversion time and the setting of DCLK directly determine the number of data output lines that are required via the FORMATx pin settings. Thus, the intended minimum decimation and desired DCLK\_DIV setting must be understood prior to choosing the setting of the FORMATx pins.

#### **NOISE PERFORMANCE AND RESOLUTION**

Table 10 and Table 11 show the noise performance for the wideband and sinc5 digital filters of the AD7761 for various output data rates and power modes. The noise values specified are typical for the bipolar input range with an external 4.096 V reference ( $V_{REF}$ ).

The LSB size with 4.096 V reference is 125  $\mu$ V, and is calculated as follows:

$$LSB (V) = (2 \times V_{REF})/2^{16}$$

Table 10. Wideband Filter Noise: Performance vs. Output Data Rate

Output Data Rate (kSPS)	-3 dB Bandwidth (kHz)	RMS Noise ( $\mu$ V)
Fast Mode		
256	110.8	11.58
128	55.4	7.77
64	27.7	5.42
32	13.9	3.82
16	6.9	2.72
8	3.5	1.94
Median Mode		
128	55.4	11.36
64	27.7	7.6
32	13.9	5.3
16	6.9	3.74
8	3.5	2.64
4	1.7	1.87
Low Power Mode		
32	13.9	11.28
16	6.9	7.54
8	3.5	5.25
4	1.7	3.71
2	0.87	2.62
1	0.43	1.85

Table 11. Sinc5 Filter Noise: Performance vs. Output Data Rate

Output Data Rate (kSPS)	-3 dB Bandwidth (kHz)	RMS Noise ( $\mu$ V)
Fast Mode		
256	52.224	7.83
128	26.112	5.43
64	13.056	3.82
32	6.528	2.71
16	3.264	1.93
8	1.632	1.39
Median Mode		
128	26.112	7.68
64	13.056	5.3
32	6.528	3.72
16	3.264	2.64
8	1.632	1.87
4	0.816	1.33
Low Power Mode		
32	6.528	7.65
16	3.264	5.26
8	1.632	3.7
4	0.816	2.61
2	0.408	1.85
1	0.204	1.31

## APPLICATIONS INFORMATION

The AD7761 offers users a multichannel platform measurement solution for ac and dc signal processing.

Flexible filtering allows the AD7761 to be configured to simultaneously sample ac and dc signals on a per channel basis. Power scaling allows users to trade off the input bandwidth of the measurement vs. the current consumption. This ability, coupled with the flexibility of the digital filtering, allows the user to optimize the energy efficiency of the measurement, while still meeting power, bandwidth, and performance targets.

Key capabilities that allow users to choose the AD7761 as their platform high resolution ADC are highlighted as follows:

- Eight fully differential or pseudo differential analog inputs.
- Fast throughput simultaneous sampling ADCs catering for input signals up to 110.8 kHz.
- Three selectable power modes (fast, median, and low power) for scaling the current consumption and input bandwidth of the ADC for optimal measurement efficiency.
- Analog input precharge and reference precharge buffers reduce the drive requirements of external amplifiers.

- Control of reference and analog input precharge buffers on a per channel basis.
- Wideband, low ripple, digital filter for ac measurement.
- Fast sinc5 filter for precision low frequency measurement.
- Two channel modes, defined by the user selected filter choice, and decimation ratios, can be defined for use on different ADC channels. This enables optimization of the input bandwidth versus the signal of interest.
- Option of SPI or pin strapped control and configuration.
- Offset, gain, and phase calibration registers per channel.
- Common-mode voltage output buffer for use by a driver amplifier.
- On-board AVDD2 and IOVDD LDOs for the low power, 1.8 V, internal circuitry.

Refer to Figure 48 and Table 12 for the typical connections and minimum requirements to get started using the AD7761.

Table 13 shows the typical power and performance of the AD7761 for the available power modes, for each filter type.

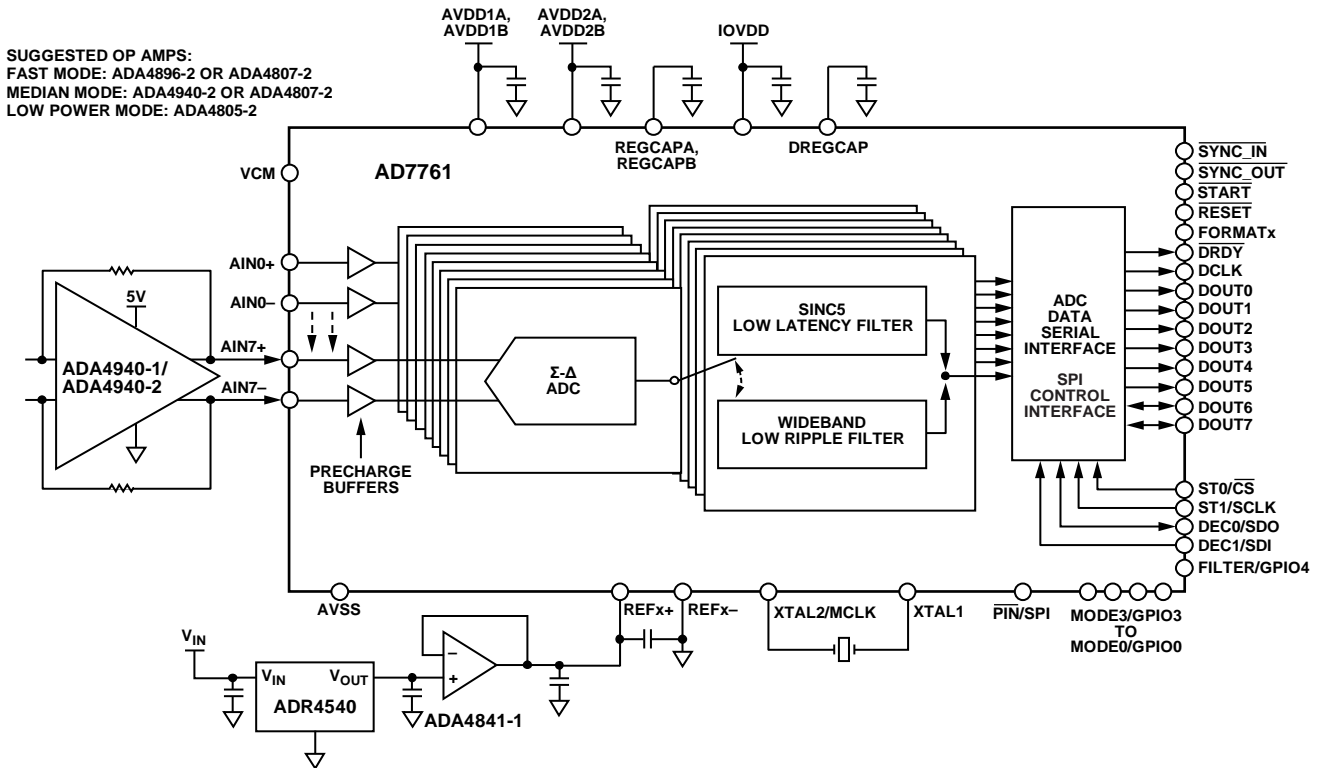


Figure 48. Typical Connection Diagram

14285-058

Table 12. Requirements to Operate the AD7761

Requirement	Description
Power Supplies	5 V AVDD1 supply, 2.25 V to 5 V AVDD2 supply, 1.8 V or 2.5 V to 3.3 V IOVDD supply (ADP7104/ADP7118)
External Reference	2.5 V, 4.096 V, or 5 V (ADR4525, ADR4540, or ADR4550)
External Driver Amplifiers	The ADA4896-2, the ADA4940-1/ADA4940-2, the ADA4805-2, and the ADA4807-2
External Clock	Crystal or a CMOS/LVDS clock for the ADC modulator sampling
FPGA or DSP	Input/output voltage of 2.5 V to 3.6 V, or 1.8 V (see the 1.8 V IOVDD Operation section)

Table 13. Speed, Dynamic Range, THD, and Power Overview; Eight Channels Active, Decimate by 32<sup>1</sup>

Power Mode	Output Data Rate (kSPS)	THD (dB)	Sinc5 Filter			Wideband Filter		
			Dynamic Range (dB)	Bandwidth (kHz)	Power Dissipation (mW per channel)	Dynamic Range (dB)	Bandwidth (kHz)	Power Dissipation (mW per channel)
Fast	256	-115	97.7	52.224	41	97.7	110.8	52
Median	128	-120	97.7	26.112	22	97.7	55.4	28
Low Power	32	-120	97.7	6.528	8.5	97.7	13.9	9.5

<sup>1</sup> Analog precharge buffers on, precharge reference buffers and VCM disabled, typical values, AVDD1 = 5 V, AVDD2 = IOVDD = 2.5 V, V<sub>REF</sub> = 4.096 V, MCLK = 32.768 MHz, DCLK = MCLK/4, T<sub>A</sub> = 25°C.

## POWER SUPPLIES

The AD7761 has three independent power supplies: AVDD1 (given by the AVDD1A pin and the AVDD2A pin), AVDD2 (given by the AVDD2A pin and the AVDD2B pin), and IOVDD.

The reference potentials for these supplies are AVSS and DGND. Tie all the AVSS supply pins (AVSS1A, AVSS1B, AVSS2A, AVSS2B, and AVSS) to the same potential with respect to DGND. AVDD1A, AVDD1B, AVDD2A, and AVDD2B are referenced to this AVSS rail. IOVDD is referenced to DGND.

The supplies can be powered within the following ranges:

- AVDD1 = 5 V ± 10%, relative to AVSS
- AVDD2 = 2 V to 5.5 V, relative to AVSS
- IOVDD (with internal regulator) = 2.25 V to 3.6 V, relative to DGND
- IOVDD (bypassing regulator) = 1.72 V to 1.88 V, relative to DGND
- AVSS = -2.75 V to 0 V, relative to DGND

The AVDD1A and AVDD1B (AVDD1) supplies power the analog front end, reference input, and common-mode output circuitry. AVDD1 is referenced to AVSS, and all AVDD1 supplies must be tied to the same potential with respect to AVSS. If AVDD1 supplies are used in a ±2.5 V split supply configuration, the ADC inputs are truly bipolar. When using split supplies, reference the absolute maximum ratings, which apply to the voltage allowed between the AVSS and IOVDD supplies.

The AVDD2A and AVDD2B (AVDD2) supplies connect to internal 1.8 V analog LDO regulators. The regulators power the ADC core. AVDD2 is referenced to AVSS, and all AVDD2 supplies must be tied to the same potential with respect to AVSS. The voltage on AVDD2 can range from 2 V (minimum) to 5.5 V (maximum), with respect to AVSS.

IOVDD powers the internal 1.8 V digital LDO regulator. This regulator powers the digital logic of the ADC. IOVDD also sets the voltage levels for the SPI interface of the ADC. IOVDD is referenced to DGND, and the voltage on IOVDD can vary from 2.25 V (minimum) to 3.6 V (maximum), with respect to DGND. IOVDD can also be configured to run at 1.8 V. In this case, IOVDD and DREGCAP must be tied together and must be within the range of 1.72 V (minimum) to 1.88 V (maximum), with respect to DGND. See the 1.8 V IOVDD Operation section for more information on operating the AD7761 at 1.8 V IOVDD.

### Recommended Power Supply Configuration

Analog Devices, Inc., has a wide range of power management products to meet the requirements of most high performance signal chains.

An example of a power solution that uses the ADP7118 is shown in Figure 49. The ADP7118 provides positive supply rails for optimal converter performance, creating either a single 5 V, 3.3 V, or dual AVDD1 and AVDD2/IOVDD, depending on the required supply configuration. The ADP7118 can operate from input voltages of up to 20 V.

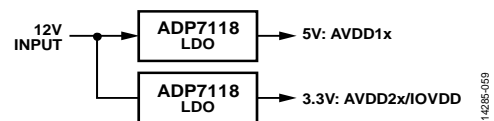


Figure 49. Power Supply Configuration

Alternatively, the ADP7112 or ADP7104 can be selected for powering the AD7761. Refer to the AN-1120 Application Note for more information regarding low noise LDO performance and power supply filtering.



### 1.8 V IOVDD Operation

The AD7761 contains an internal 1.8 V LDO on the IOVDD supply to regulate the IOVDD down to the operating voltage of the digital core. This internal LDO allows the internal logic to operate efficiently at 1.8 V and the input/output logic to operate at the level set by IOVDD. The IOVDD supply is rated from 2.25 V to 3.6 V for normal operation, and 1.8 V for LDO bypass setup.

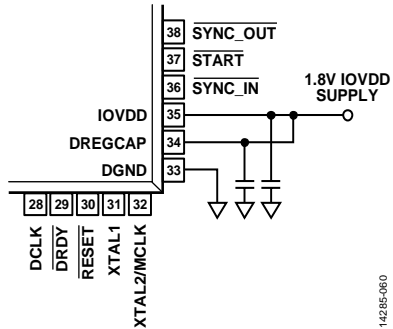


Figure 50. DREGCAP and IOVDD Connection Diagram for 1.8 V IOVDD Operation

Users can bypass the LDO by shorting the DREGCAP pin to IOVDD (see Figure 50), which pulls the internal LDO out of regulation and sets the internal core voltage and input/output logic levels to the IOVDD level. When bypassing the internal LDO, the maximum operating voltage of the IOVDD supply is equal to the maximum operating voltage of the internal digital core, which is 1.72 V to 1.88 V.

### Analog Supply Internal Connectivity

The AD7761 has two analog supply rails, AVDD1 and AVDD2, which are both referred to AVSS. These supplies are completely separate from the digital pins, IOVDD, DREGCAP, and DGND. To achieve optimal performance and isolation of the ADCs, more than one device pin supplies these analog rails to the internal ADCs.

- AVSS1A (Pin 3) and AVSS2A (Pin 62) are internally connected.
- AVSS (Pin 54) is connected to the substrate, and is connected internally to AVSS1B (Pin 46) and AVSS2B (Pin 51).
- The following supply and reference input pins are separate on chip: AVDD1A, AVDD1B, AVDD2A, AVDD2B, REF1+, REF1–, REF2+, and REF2–.

The details of which individual supplies are shorted internally are given in this section for informational purposes. In general, connect the supplies as described in the Power Supplies section.

### DEVICE CONFIGURATION

The AD7761 has independent paths for reading data from the ADC conversions and for controlling the device functionality.

For control, the device can be configured in either of two modes. The two modes of configuration are as follows:

- Pin control mode: pin strapped digital logic inputs (which allows a subset of the configurability options)
- SPI control mode: over a 3-wire or 4-wire SPI interface (complete configurability)

On power-up, the state of the  $\overline{\text{PIN}}$ /SPI pin determines the mode used. Immediately after power-up, the user must apply a soft or hard reset to the device when using either control mode.

### Interface Data Format

When operating the device, the data format of the serial interface is determined by the FORMATx pins. Table 30 shows that each ADC can be assigned a DOUTx pin, or, alternatively, the data can be arranged to share the DOUTx pins in a time division multiplexed manner. For more details, see the Data Interface section.

### PIN CONTROL MODE

Pin control mode eliminates the need for an SPI communication interface. When a single known configuration is required by the user, or when only limited reconfiguration is required, the number of signals that require routing to the digital host can be reduced using this mode. Pin control mode is useful in digitally isolated applications where minimal adjustment of the configuration is needed. Pin control offers a subset of the core functionality and ensures a known state of operation after power-up, reset, or a fault condition on the power supply. In pin control mode, the analog input precharge buffers are enabled by default for best performance. The reference input precharge buffers are disabled in pin control mode.

After any change to the configuration in pin control mode, the user must provide a sync signal to the AD7761 by applying the appropriate pulse to the START pin or the SYNC\_IN pin to ensure that the configuration changes are applied correctly to the ADC and the digital filters.

### Setting the Filter

The filter function chooses between the two filter settings. In pin control mode, all ADC channels use the same filter type, which is selected by the FILTER pin, as shown in Table 14.

Table 14. FILTER Control Pin

Logic Level	Function
1	Sinc5 filter selected
0	Wideband filter selected



**Setting the Decimation Rate**

Pin control mode allows selection from four possible decimation rates. The decimation rate is selected via the DEC1 and DEC0 pins. The chosen decimation rate is used on all ADC channels. Table 15 shows the truth table for the DECx pins.

**Table 15. Decimation Rate Control Pins Truth Table**

DEC1	DEC0	Decimation Rate
0	0	×32
0	1	×64
1	0	×128
1	1	×1024

**Operating Mode**

The MODE3 to MODE0 pins determine the configuration of all channels when using pin control mode. The variables controlled by the MODEx pins are shown in Table 16. The user selects how much current the device consumes, the sampling speed of the ADC (power mode), how fast the ADC result is received by the digital host (DCLK\_DIV), and how the ADC conversion is initiated (conversion operation). Figure 51 illustrates the inputs used to configure the device in pin control mode.

**Table 16. MODEx Pins: Variables for Control**

Control Variable	Possible Settings
Sampling Speed/Power Consumption Power Mode	Fast Median Low power
Data Clock Output Frequency (DCLK_DIV)	DCLK = MCLK/1 DCLK = MCLK/2 DCLK = MCLK/4 DCLK = MCLK/8
Conversion Operation	Standard conversion One-shot conversion

The MODEx pins map to 16 distinct settings. The settings are selected to optimize the use cases of the AD7761, allowing the user to reduce the DCLK frequency for lower, less demanding power modes and selecting either the one-shot or standard conversion modes.

See Table 18 for the complete selection of operating modes that are available via the MODEx pins in pin control mode.

The power mode setting automatically scales the bias currents of the ADC and divides the applied MCLK signal to the correct setting for that mode. Note that this is not the same as using SPI control mode, where separate bit fields exist to control the bias currents of the ADC and MCLK division.

In pin control mode, the modulator rate is fixed for each power mode to achieve the best performance. Table 17 shows the modulator division for each power mode.

**Table 17. Modulator Rate, Pin Control Mode**

Power Mode	Modulator Rate, $f_{MOD}$
Fast	MCLK/4
Median	MCLK/8
Low power	MCLK/32

**Diagnostics**

Pin control mode offers a subset of diagnostics features. Internal errors are reported in the status header output with the data conversion results for each channel.

Internal cyclic redundancy check (CRC) errors, memory map flipped bits, and external clocks not detected are reported by Bit 7 of the status header and indicate that a reset is required. The status header also reports filter not settled, filter type, and filter saturated signals. Users can determine when to ignore data by monitoring these error flags. For more information on the status header, see the ADC Conversion Output: Header and Data section.

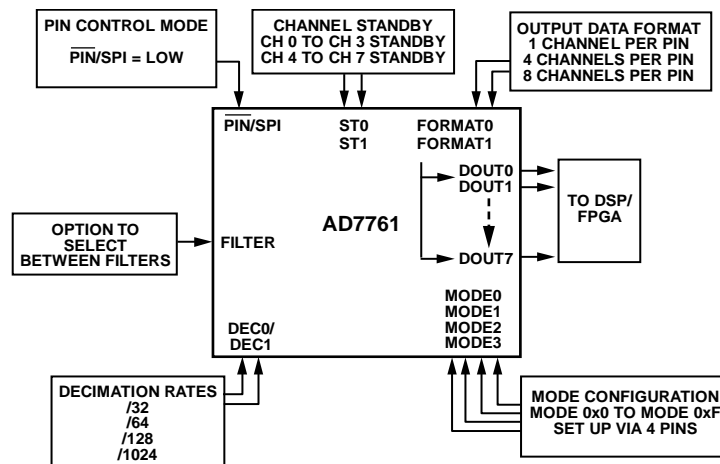


Figure 51. Pin Configurable Functions

Table 18. MODEx Selection Details: Pin Control Mode

Mode Hex.	MODE3	MODE2	MODE1	MODE0	Power Mode	DCLK Frequency	Data Conversion
0x0	0	0	0	0	Low power	MCLK/1	Standard
0x1	0	0	0	1	Low power	MCLK/2	Standard
0x2	0	0	1	0	Low power	MCLK/4	Standard
0x3	0	0	1	1	Low power	MCLK/8	Standard
0x4	0	1	0	0	Median	MCLK/1	Standard
0x5	0	1	0	1	Median	MCLK/2	Standard
0x6	0	1	1	0	Median	MCLK/4	Standard
0x7	0	1	1	1	Median	MCLK/8	Standard
0x8	1	0	0	0	Fast	MCLK/1	Standard
0x9	1	0	0	1	Fast	MCLK/2	Standard
0xA	1	0	1	0	Fast	MCLK/4	Standard
0xB	1	0	1	1	Fast	MCLK/8	Standard
0xC	1	1	0	0	Low power	MCLK/1	One-shot
0xD	1	1	0	1	Median	MCLK/1	One-shot
0xE	1	1	1	0	Fast	MCLK/2	One-shot
0xF	1	1	1	1	Fast	MCLK/1	One-shot

Table 19. MODEx Example Selection

Mode Hex	MODE3	MODE2	MODE1	MODE0	Power Mode	DCLK Frequency	Data Conversion
0x3	0	0	1	1	Low Power	MCLK/8	Standard

### Configuration Example

In the example shown in Table 19, the lowest current consumption is used, and the AD7761 is connected to an FPGA. The FORMATx pins are set such that all eight data outputs, DOUT0 to DOUT7, connect to the FPGA. For the lowest power, the lowest DCLK frequency is used. The input bandwidth is set through the combination of selecting decimation by 64 and selecting the wideband filter.

$$ODR = f_{MOD} \div \text{Decimation Ratio}$$

where:

$f_{MOD}$  is MCLK/32 for low power mode (see Table 17).

Decimation Ratio = 64.

Thus, for this example, where MCLK = 32.768 MHz,

$$ODR = (32.768 \text{ MHz}/32) \div 64 = 16 \text{ kHz}$$

Minimizing the DCLK frequency means selecting DCLK = MCLK/8, which results in a 4 MHz DCLK signal. The period of DCLK in this case is 1/4 MHz = 250 ns. The data conversion on each DOUTx pin is 24 bits long. The conversion data takes  $24 \times 250 \text{ ns} = 6 \mu\text{s}$  to be output. All 24 bits must be output within the ODR period of 1/16 kHz, which is approximately 64  $\mu\text{s}$ . In this case, the 6  $\mu\text{s}$  required to read out the conversion data is well within the 64  $\mu\text{s}$  between conversion outputs. Therefore, this combination, which is summarized in Table 19, is viable for use.

### Channel Standby

Table 20 shows how the user can put channels into standby mode. Set either ST0 or ST1 to Logic 1 to place banks of four channels into standby mode. When in standby mode, the disabled channels hold their position in the output data stream. The 8-bit header and 16-bit conversion results are set to all zeros when the ADC channels are set to standby.

The VCM voltage output is associated with the Channel 0 circuitry. If Channel 0 is put into standby mode, the VCM voltage output is also disabled for maximum power savings. Channel 0 must be enabled while VCM is being used externally to the AD7761.

The crystal excitation circuitry is associated with the Channel 4 circuitry. If Channel 4 is put into standby mode, the crystal circuitry is also disabled for maximum power savings. Channel 4 must be enabled while the external crystal is used on the AD7761.

Table 20. Truth Table for the AD7761 ST0 and ST1 Pins

ST1	ST0	Function
0	0	All channels operational.
0	1	Channel 0 to Channel 3 in standby. Channel 4 to Channel 7 operational.
1	0	Channel 4 to Channel 7 in standby. Channel 0 to Channel 3 operational.
1	1	All channels in standby.

**SPI CONTROL**

The AD7761 has a 4-wire SPI interface that is compatible with QSPI™, MICROWIRE®, and DSPs. The interface operates in SPI Mode 0. In SPI Mode 0, SCLK idles low, the falling edge of  $\overline{CS}$  clocks out the MSB, the falling edge of SCLK is the drive edge, and the rising edge of SCLK is the sample edge. This means that data is clocked out on the falling/drive edge and data is clocked in on the rising/sample edge.



Figure 52. SPI Mode 0 SCLK Edges

**Accessing the ADC Register Map**

To use SPI control mode, set the  $\overline{PIN}/SPI$  pin to logic high. The SPI control operates as a 16-bit, 4-wire interface, allowing read and write access. Figure 54 shows the interface format between the AD7761 and the digital host.

The SPI serial control interface of the AD7761 is an independent path for controlling and monitoring the device. There is no direct link to the data interface. The timing of MCLK and DCLK is not directly related to the timing of the SPI control interface. However, the user must ensure that the SPI reads and writes satisfy the minimum  $t_{30}$  specification (see Table 3 and Table 5) so that the AD7761 can detect changes to the register map.

SPI access is ignored during the period immediately after a reset. Allow the full ADC start-up time after reset (see Table 1) to elapse before accessing the AD7761 over the SPI interface.

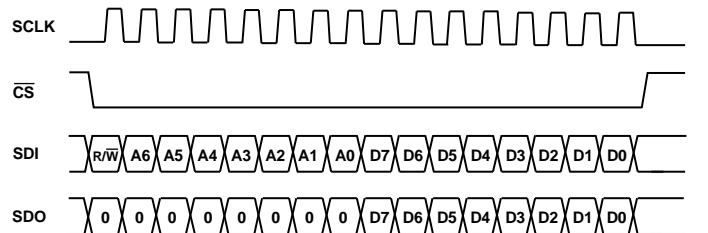


Figure 54. Write/Read Command

**SPI Interface Details**

Each SPI access frame is 16 bits long. The MSB (Bit 15) of the SDI command is the  $R/\overline{W}$  bit; 1 = read and 0 = write. Bits[14:8] of the SDI command are the address bits.

The SPI control interface uses an off frame protocol. This means that the master (FPGA/DSP) communicates with the AD7761 in two frames. The first frame sends a 16-bit instruction ( $R/\overline{W}$ , address, and data) and the second frame is the response where the AD7761 sends 16 bits back to the master.

During the master write command, the SDO output contains eight leading zeros, followed by eight bits of data, as shown in Figure 54.

Figure 53 shows the off frame protocol. Register access responses are always offset by one  $\overline{CS}$  frame. In Figure 53, the response (read RESP 1) to the first command (CMD 1) is output by the AD7761 during the following  $\overline{CS}$  frame at the same time as the second command (CMD 2) is being sent.

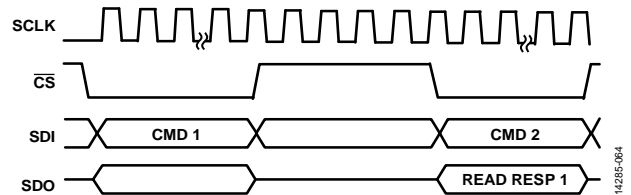


Figure 53. Off Frame Protocol

**SPI Control Interface Error Handling**

The AD7761 SPI control interface detects whether it has received an illegal command. An illegal command is a write to a read only register, a write to a register address that does not exist, or a read from a register address that does not exist. If any of these illegal commands are received by the AD7761, the device responds with an error output of 0x0E00.

### SPI Reset Configuration

After a power-on or reset, the AD7761 default configuration is set to the following low current consumption settings:

- Low power mode with MCLK/32.
- Interface configuration of DCLK = MCLK/8, header output enabled, and CRC disabled.
- Filter configuration of Channel Mode A and Channel Mode B is set to sinc5 and decimation =  $\times 1024$ . Channel mode select is set to 0x00, and all channels are assigned to Channel Mode A.
- Channel configuration of Channel 0 to Channel 7 is enabled, with the analog input buffers enabled. The reference precharge buffers are disabled. The offset, gain, and phase calibration are set to the zero position.
- Continuous conversion mode is enabled.

### SPI CONTROL FUNCTIONALITY

SPI control offers the superset of flexibility and diagnostics to the user. The following sections highlight the functionality and diagnostics offered when SPI control is used.

After any change to these configuration register settings, the user must provide a sync signal to the AD7761 through either the SPI\_SYNC command, or by applying the appropriate pulse to the START pin or SYNC\_IN pin to ensure that the configuration changes are applied correctly to the ADC and digital filters.

#### Channel Configuration

The AD7761 has eight fully differential analog input channels. The channel configuration registers allow the channels to be individually configured to adapt to the measurement required on that channel. Channels can be enabled or disabled using the channel standby register, Register 0x00. Analog input and reference precharge buffers can be assigned per input terminal. Gain, offset, and phase calibration can be controlled on a per channel basis using the calibration registers. See the Per Channel Calibration Gain, Offset, and Sync Phase section for more information.

#### Channel Modes

In SPI control mode, the user can set up two channel modes, Channel Mode A (Register 0x01), and Channel Mode B (Register 0x02). Each channel mode register can have a specific filter type and decimation ratio. Using the channel mode select register (Register 0x03), the user can assign each channel to either Channel Mode A or Channel Mode B, which maps that mode to the required ADC channels. These modes allow different filter types and decimation rates to be selected and mapped to any of the ADC channels.

When different decimation rates are selected on different channels, the AD7761 outputs a data ready signal at the fastest selected decimation rate. Any channel that runs at a lower output data rate is updated only at that slower rate. In between valid result data, the data for that channel is set to zero and the repeated data bit is set in the header status bits to distinguish it from a real conversion result (see the ADC Conversion Output: Header and Data section for more information).

On the AD7761, consider Channel Mode A as the primary group. In this respect, it is recommended that there always be at least one channel assigned to Channel Mode A. If all eight channels of the AD7761 are assigned to Channel Mode B, conversion data is not output on the data interface for any of the channels.

**Table 21. Channel Mode A/Channel Mode B, Register 0x01 and Register 0x02**

Bits	Bit Name	Setting	Description	Reset	Access
3	FILTER_TYPE_x	0 1	Filter output Wideband filter Sinc5 filter	0x1	RW
[2:0]	DEC_RATE_x	000 to 101	Decimation rate $\times 32$ to $\times 1024$	0x5	RW

**Table 22. Channel Mode Selection, Register 0x03**

Bits	Bit Name	Setting	Description	Reset	Access
[7:0]	CH_x_MODE	0 1	Channel x Mode A Mode B	0x0	RW

#### Reset over SPI Control Interface

Two successive commands must be written to the AD7761 data control register to initiate a full reset of the device over the SPI interface. This action fully resets all registers to the default conditions. Details of the commands and their sequence are shown in Table 40.

After a reset over the SPI control interface, the AD7761 responds to the first command sent to the device with 0x0E00. This response, in addition to the fact that all registers have assumed their default values, indicates that the software reset succeeded.

#### Sleep Mode

Sleep mode puts the AD7761 into its lowest power mode. In sleep mode, all ADCs are disabled and a large portion of the digital core is inactive.

The AD7761 SPI remains active and is available to the user when in sleep mode. Write to Register 0x04, Bit 7 to exit sleep mode. For the lowest power consumption, select the sinc5 filter before entering sleep mode.

### Channel Standby Mode

For efficient power usage, place selected channels into standby mode when not in use. Setting the bits in Register 0x00 disables the corresponding channel (see Table 34). For maximum power savings, switch disabled channels to the sinc5 filter using the channel mode configurations, which disables some clocks associated with the wideband filters of those channels.

The VCM voltage output is associated with the Channel 0 circuitry. If Channel 0 is put into standby mode, the VCM voltage output is also disabled for maximum power savings. Channel 0 must be enabled while VCM is being used externally to the AD7761.

The crystal excitation circuitry is associated with the Channel 4 circuitry. If Channel 4 is put into standby mode, the crystal circuitry is also disabled for maximum power savings. Channel 4 must be enabled while the external crystal is used on the AD7761.

### Clocking Selections

The internal modulator frequency ( $f_{MOD}$ ) used by each of the ADCs in the AD7761 is derived from the externally applied MCLK signal. The MCLK division bits allow the user to control the ratio between the MCLK frequency and the internal modulator clock frequency. This control allows the user to select the division ratio that is best for their configuration.

The appropriate clock configuration depends on the power mode, the decimation rate, and the base MCLK frequency available in the system. See the Clocking, Sampling Tree section for further information on setting MCLK\_DIV correctly.

### MCLK Source Selection

The following clocking options are available as the MCLK input source in SPI control mode:

- LVDS
- External crystal
- CMOS input MCLK

Setting CLK\_SEL to logic low configures the AD7761 for correct operation using a CMOS clock. Setting CLK\_SEL to logic high enables the use of an external crystal. In SPI control mode, the FILTER pin must be set to Logic 1 for operation of the external crystal.

If CLK\_SEL is set to logic high and Bit 3 of Register 0x04 is also set, the application of an LVDS clock signal to the MCLK pin is enabled. LVDS clocking is exclusive to SPI control mode and requires the register selection for operation (see Table 38).

The DCLK rate is derived from MCLK. DCLK division (the ratio between MCLK and DCLK) is controlled in the interface configuration selection register, Register 0x07 (see Table 41).

### Interface Configuration

The data interface is a master output interface, where ADC conversion results are output by the AD7761 at a rate based on the mode selected. The interface consists of a data clock (DCLK), the data ready (DRDY) framing output, and the data output pins (DOUT0 to DOUT7).

The interface can be configured to output conversion data on one, two, or eight of the DOUTx pins. The DOUTx configuration for the AD7761 is selected using the FORMATx pins (see Table 30).

The DCLK rate is a direct division of the MCLK input and can be controlled using Bits[1:0] of Register 0x07. The minimum DCLK rate can be calculated as

$$DCLK \text{ (minimum)} = \text{Output Data Rate} \times \text{Channels per DOUTx} \times 24 \text{ bits}$$

where  $MCLK \geq DCLK$ .

With eight ADCs enabled, an MCLK rate of 32.768 MHz, an ODR of 256 kSPS, and two DOUTx channels, DCLK (minimum) is

$$256 \text{ kSPS} \times 4 \text{ channels per DOUTx} \times 24 \text{ bits} = 24.576 \text{ MHz}$$

where  $DCLK = MCLK/1$ .

For more information on the status header, CRC, and interface configuration, see the Data Interface section.

### CRC Protection

The AD7761 can be configured to output a CRC message per channel every 4 or 16 samples. This function is available only with SPI control. CRC is enabled in the interface control register, Register 0x07 (see the CRC Check on Data Interface section).

### ADC Synchronization over SPI

The ADC synchronization over SPI allows the user to request a synchronization pulse to the ADCs over the SPI interface. To initiate the synchronization in this manner, write to Bit 7 in Register 0x06 twice.

First, the user must write a 0, which sets SYNC\_OUT low, and then write a 1 to set the SYNC\_OUT logic high again.

The SPI\_SYNC command is recognized after the last rising edge of SCLK in the SPI instruction, where the SPI\_SYNC bit is changed from low to high. The SPI\_SYNC command is then output synchronously to the AD7761 MCLK signal on the SYNC\_OUT pin. The user must connect the SYNC\_OUT signal to the SYNC\_IN pin on the PCB.

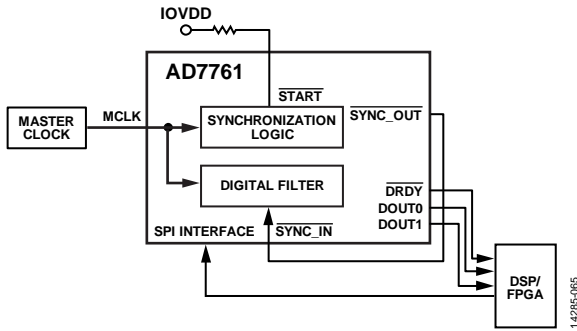


Figure 55. Connection Diagram for Synchronization Using SPI\_SYNC

The SYNC\_OUT pin can also be routed to the SYNC\_IN pins of other AD7761 devices, allowing simultaneous sampling to occur across larger channel count systems. Any daisy-chained system of AD7761 devices requires that all ADCs be synchronized.

In a daisy-chained system of AD7761 devices, two successive synchronization pulses must be applied to guarantee that all ADCs are synchronized. Two synchronization pulses are also required in a system of more than one AD7761 device sharing a single MCLK signal, where the DRDY pin of only one device is used to detect new data.

As per any synchronization pulse present on the SYNC\_IN pin, the digital filters of the AD7761 are reset by the SPI\_SYNC command. The full settling time of the filters must then elapse before valid data is output on the data interface.

### Analog Input Precharge Buffers

The AD7761 contains precharge buffers on each analog input to ease the drive requirements on the external amplifier. Each analog input precharge buffer can be enabled or disabled using the analog input precharge buffer registers (see Table 48 and Table 49). When writing to these registers, the user must write the inverse of the required bit settings. For example, to clear Bit 1 of this register, the user must write 0x01 to the register. This clears Bit 1 and sets all other bits. If the user reads the register again after writing 0x01, the data read is 0xFE, as required.

### Reference Precharge Buffers

The AD7761 contains reference precharge buffers on each reference input to ease the drive requirements on the external reference and help to settle any nonlinearity on the reference inputs. Each reference precharge buffer can be enabled or disabled using the reference precharge buffer registers (see Table 50 and Table 51).

### Per Channel Calibration Gain, Offset, and Sync Phase

The user can adjust the gain, offset, and sync phase of the AD7761. These options are available only in SPI control mode. Further register information and calibration instructions are available in the Offset Registers section, the Gain Registers section, and the Sync Phase Offset Registers section. See the Calibration section for information on calibration equations.

### GPIOs

The AD7761 has five GPIO pins available when operating in SPI control mode. For further information on GPIO configuration, see the GPIO Functionality section.

### SPI CONTROL MODE EXTRA DIAGNOSTIC FEATURES

#### RAM Built In Self Test

The read only memory (RAM) built in self test (BIST) is a coefficient check for the digital filters. The AD7761 DSP path uses some internal memories for storing data associated with filtering and calibration. A user may, if desired, initiate a built in self test (BIST) of these memories. Normal conversions are not possible while BIST is running. The test is started by writing to the BIST control register, Register 0x08. The results and status of the test are available in the status register, Register 0x09 (see Table 43).

Normal ADC conversion is disrupted when this test is run. A synchronization pulse is required after this test is complete to resume normal ADC operation.

#### Revision Identification Number

The AD7761 contains an identification register that is accessible in SPI control mode, the revision identification register. This register is an excellent way to verify the correct operation of the serial control interface. Register information is available in the Revision Identification Register section.

#### Diagnostic Meter Mode

The diagnostic metering mode can be used to verify the functionality of each ADC by internally passing a positive full-scale, midscale, or negative full-scale voltage to the ADC. The user can then read the resulting ADC conversion result to determine that the ADC is operating correctly. To configure ADC conversion diagnostics, see the ADC Diagnostic Receive Select Register section and the ADC Diagnostic Control Register section.



# CIRCUIT INFORMATION

## CORE SIGNAL CHAIN

Each ADC channel on the AD7761 has an identical signal path from the analog input pins to the data interface. Figure 57 shows a top level implementation of the core signal chain. Each ADC channel has its own  $\Sigma$ - $\Delta$  modulator that oversamples the analog input and passes the digital representation to the digital filter block. The modulator sampling frequency ( $f_{MOD}$ ) ranges are explained in the Clocking, Sampling Tree, and Power Scaling section. The data is filtered, scaled for gain and offset (depending on user settings), and then output on the data interface. Control of the flexible settings for the signal chain is provided by either using the pin control or the SPI control mode, set at power-up by the state of the  $\overline{PIN/SPI}$  input pin.

The AD7761 can use up to a 5 V reference and converts the differential voltage between the analog inputs ( $AINx+$  and  $AINx-$ ) into a digital output. The analog inputs can be configured as either differential or pseudo differential inputs. As a pseudo differential input, either  $AINx+$  or  $AINx-$  can be connected to a constant input voltage (such as 0 V,  $AVSS$ , or some other reference voltage). The ADC converts the voltage difference between the analog input pins into a digital code on the output. Using a common-mode voltage of  $AVDD1/2$  for the analog inputs,  $AINx+$  and  $AINx-$ , maximizes the ADC input range. The 16-bit conversion result is in twos complement, MSB first, format. Figure 56 shows the ideal transfer functions for the AD7761.

### ADC Power Modes

The AD7761 has three selectable power modes. In pin control mode, the modulator rate and power mode are tied together for best performance. In SPI control mode, the user can select the power mode and modulator MCLK divider settings. The choice

of power modes gives more flexibility to control the bandwidth and power dissipation for the AD7761. Table 9 shows the recommended  $f_{MOD}$  frequencies for each power mode, and Table 38 shows the register information for the AD7761.

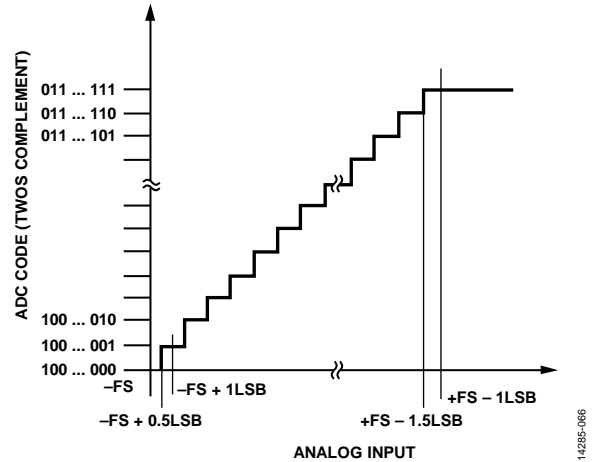


Figure 56. ADC Ideal Transfer Functions ( $FS$  is Full Scale)

Table 23. Output Codes and Ideal Input Voltages

Description	Analog Input ( $AINx+ - (AINx-)$ ) $V_{REF} = 4.096 V$	Digital Output Code, Twos Complement (Hex.)
$FS - 1 LSB$	+4.095875 V	0x7FFF
Midscale + 1 LSB	+125 $\mu V$	0x0001
Midscale	0 V	0x0000
Midscale - 1 LSB	-125 $\mu V$	0xFFFF
$-FS + 1 LSB$	-4.095875 V	0x8001
$-FS$	-4.096 V	0x8000

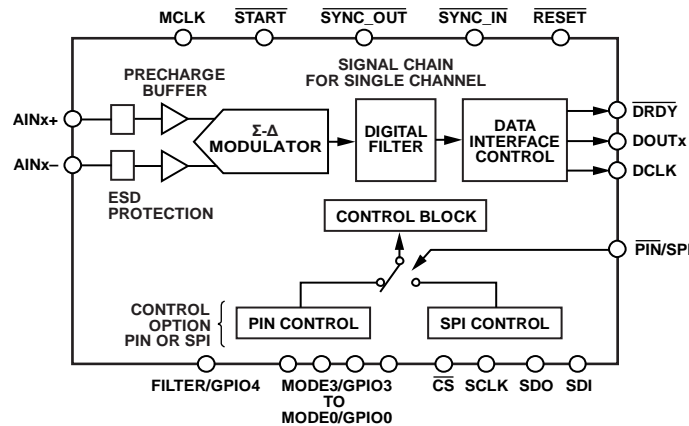


Figure 57. Top Level Core Signal Chain and Control

**ANALOG INPUTS**

Figure 58 shows the AD7761 analog front end. The electrostatic discharge (ESD) protection diodes that are designed to protect the ADC from some short duration overvoltage and ESD events are shown on the signal path. The analog input is sampled at twice the modulator sampling frequency,  $f_{MOD}$ , which is derived from MCLK. By default, the ADC internal sampling capacitors, CS1 and CS2, are driven by a per channel analog input precharge buffer to ease the driving requirement of the external network.

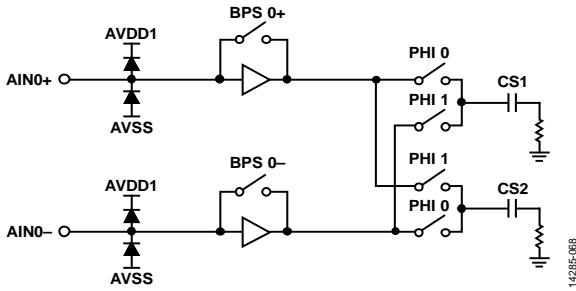


Figure 58. Analog Front End

The analog input precharge buffers, if enabled, are enabled for a set period of time for each  $f_{MOD}$  cycle. The period of time is dependent on the power mode of the AD7761. The precharge buffer is on for approximately 15 ns in fast mode, 29 ns in median mode, and 116 ns in low power mode. For the initial rough charging of the switched capacitor network, the bypass switches, BPS 0+ and BPS 0-, remain open during this first phase. For the remaining phase, the bypass switches are closed, and the fine accuracy settling charge is provided by the external source. PHI 0 and PHI 1 represent the modulator clock sampling phases that switch the input signals onto the sampling capacitors, CS1 and CS2.

The analog input precharge buffers reduce the switching kickback from the sampling stage to the external circuitry. The precharge buffer reduces the average input current by a factor of eight, and makes the input current more signal independent, to reduce the effects of sampling distortion. This reduction in drive requirements allows pairing of the AD7761 with lower power, lower bandwidth front-end driver amplifiers such as the [ADA4940-1/ADA4940-2](#).

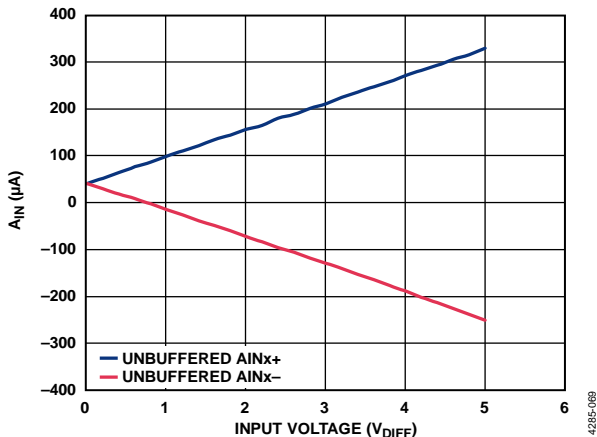


Figure 59. Analog Input Current ( $A_{IN}$ ) vs. Input Voltage, Analog Input Precharge Buffer Off,  $V_{CM} = 2.5 V$ ,  $f_{MOD} = 8.192 MHz$

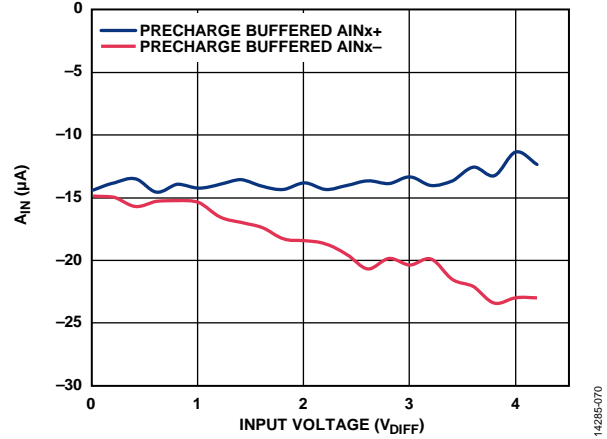


Figure 60. Analog Input Current ( $A_{IN}$ ) vs. Input Voltage, Analog Input Precharge Buffer On,  $V_{CM} = 2.5 V$ ,  $f_{MOD} = 8.192 MHz$

The analog input precharge buffers can be turned on/off by means of a register write to Register 0x11 and Register 0x12 (Precharge Buffer Register 1 and Precharge Buffer Register 2, respectively). When writing to these registers, the user must write the inverse of the required bit settings. For example, to clear Bit 1 of this register, the user must write 0x01 to the register. This clears Bit 1 and sets all other bits. If the user reads the register again after writing 0x01, the data read is 0xFE, as required.

Each analog input precharge buffer is selectable per channel. In pin control mode, the analog input precharge buffers are always enabled for optimum performance.

When the analog input precharge buffers are disabled, the analog input current is sourced completely from the analog input source. The unbuffered analog input current is calculated from two components: the differential input voltage on the analog input pair, and the analog input voltage with respect to AVSS. With the precharge buffers disabled, for 32.768 MHz MCLK in fast mode with  $f_{MOD} = MCLK/4$ , the differential input current is approximately 48  $\mu A/V$  and the current with respect to ground is approximately 17  $\mu A/V$ .

For example, if the precharge buffers are off, with  $A_{IN1+} = 5 V$ , and  $A_{IN1-} = 0 V$ , estimate the current in each input pin as follows:

$$A_{IN1+} = 5 V \times 48 \mu A/V + 5 V \times 17 \mu A/V = 325 \mu A$$

$$A_{IN1-} = -5 V \times 48 \mu A/V + 0 V \times 17 \mu A/V = -240 \mu A$$

When the precharge buffers are enabled, the absolute voltage with respect to AVSS determines the majority of the current. The maximum input current of approximately -25  $\mu A$  is measured when the analog input is close to either the AVDD1 or AVSS rails.

With either precharge buffers enabled or disabled, the analog input current scales linearly with the modulator clock rate. The analog input current vs. input voltage is shown in Figure 59.



Full settling of the analog inputs to the ADC requires the use of an external amplifier. Pair amplifiers such as the [ADA4805-2](#) for low power mode, or the [ADA4805-2](#) or [ADA4940-1/ADA4940-2](#) for median and fast modes, with the AD7761 (see Table 24 for details on some of these pairings). Running the AD7761 in median and low power modes or reducing the MCLK rate reduces the load and speed requirements of the amplifier; therefore, lower power amplifiers can be paired with the analog inputs to achieve the optimum signal chain efficiency.

There is a resistor/capacitor (RC) network between the amplifier output and the ADC input. Figure 61 shows a typical RC network used for the AD7761 for most amplifier pairings. The RC network performs a variety of tasks. C1 and C2 are charge reservoirs to the ADC, providing the ADC with fast charge current to the sampling capacitors. Capacitor C3 removes common-mode errors between the AINx+ and AINx- inputs. These capacitors, in combination with R<sub>IN</sub>, form a low-pass filter to filter out glitches related to the input switching. The input resistance also stabilizes the amplifier when driving large capacitor loads and prevents the amplifier from oscillating.

Capacitor C3 removes common-mode errors between the AINx+ and AINx- inputs. These capacitors, in combination with R<sub>IN</sub>, form a low-pass filter to filter out glitches related to the input switching. The input resistance also stabilizes the amplifier when driving large capacitor loads and prevents the amplifier from oscillating.

The optimum driver amplifiers for each of these requirements of power, performance, and supply are as follows:

- The [ADA4805-2](#) is suited for low power, particularly in low power mode.
- The [ADA4940-1](#) is suited for single-supply operation, which is also the recommended fully differential amplifier to drive the AD7761.

For more details, see the [AN-1384](#).

**Table 24. Amplifier Pairing Options**

Power Mode	Amplifier	Amplifier Power (mW/channel) <sup>1</sup>	Analog Input Precharge Buffer	Total Power (Amplifier + AD7761) (mW/channel) <sup>1</sup>
Fast	<a href="#">ADA4940-2</a>	13.4	On	64.9
Median	<a href="#">ADA4805-2</a>	6.9	On	34.4
Low Power	<a href="#">ADA4805-2</a>	6.5	On	15.9

<sup>1</sup> Typical power at 25°C.

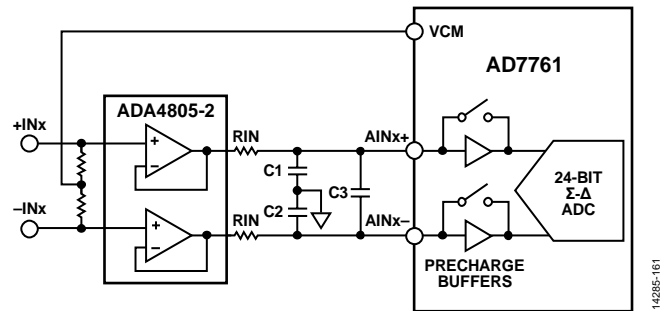


Figure 61. Typical Input Structure for an RC Network

## VCM

The AD7761 provides a buffered common-mode voltage output on Pin 59. This output can bias up analog input signals. By incorporating the VCM buffer into the ADC, the AD7761 reduces component count and board space. In pin control mode, the VCM potential is fixed to  $(AVDD1 - AVSS)/2$ , and is enabled by default.

In SPI control mode, configure the VCM potential using the general configuration register (Register 0x05). The output can be enabled or disabled, and set to  $(AVDD1 - AVSS)/2$ , 1.65 V, 2.14 V, or 2.5 V, with respect to AVSS.

The VCM voltage output is associated with the Channel 0 circuitry. If Channel 0 is put into standby mode, the VCM voltage output is also disabled for maximum power savings. Channel 0 must be enabled while VCM is being used externally to the AD7761.

## REFERENCE INPUT

The AD7761 has two differential reference input pairs. REF1+ and REF1– are the reference inputs for Channel 0 to Channel 3, and REF2+ and REF2– are for Channel 4 to Channel 7. The absolute input reference voltage range is 1 V to AVDD1 – AVSS.

Like the analog inputs, the reference inputs have a precharge buffer option. Each ADC has an individual buffer for each REFx+ and REFx–. The precharge buffers help reduce the burden on the external reference circuitry.

In pin control mode, the reference precharge buffers are off by default. In SPI control mode, the user can enable or disable the reference precharge buffers. In the case of unipolar analog supplies, in SPI control mode, the user can achieve the best performance and power efficiency by enabling only the REFx+ buffers. The reference input current scales linearly with the modulator clock rate.

For 32 MHz MCLK and MCLK/4 fast mode, the differential input current is  $\sim 72 \mu\text{A/V}$  per channel, unbuffered, and  $\sim 16 \mu\text{A/V}$  per channel with the precharge buffers enabled.

With the precharge buffers off, REFx+ = 5 V, and REFx– = 0 V,

$$\text{REFx}\pm = 5 \text{ V} \times 72 \mu\text{A/V} = 360 \mu\text{A}$$

With the precharge buffers on, REFx+ = 5 V, and REFx– = 0 V,

$$\text{REFx}\pm = 5 \text{ V} \times 16 \mu\text{A/V} = 80 \mu\text{A}$$

For the best performance and headroom, it is recommended to use a 4.096 V reference such as the [ADR444](#) or the [ADR4540](#).

For the best performance at high sampling rates, it is recommended to use an external reference drive amplifier such as the [ADA4841-1](#) or the [AD8031](#). Figure 62 shows a configuration diagram of the reference connection.

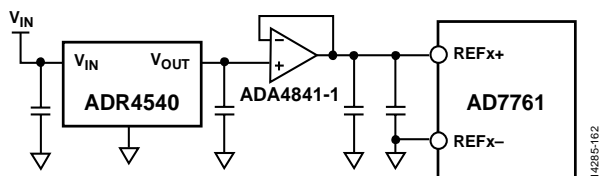


Figure 62. Typical Reference Input Configuration Diagram

## CLOCK SELECTION

The AD7761 has an internal oscillator used for initial power-up of the device. After the AD7761 completes the start-up routine, the device normally transfer control of the internal clocking to the externally applied MCLK. The AD7761 counts the falling edges of the external MCLK over a given number of internal clock cycles to determine if the clock is valid and at least a frequency of 1.15 MHz. If there is a fault with the external MCLK, the transfer of control does not occur, the AD7761 outputs an error in the status header, and the clock error bit is set in the device status register. No conversion data is output and a reset is required to exit this error state.

Three clock source input options are available to the AD7761: external CMOS, crystal oscillator, or LVDS. The clock is selected on power-up and is determined by the state of the CLK\_SEL pin.

If CLK\_SEL = 0, the CMOS clock option is selected and the clock is applied to Pin 32 (Pin 31 is tied to DGND).

If CLK\_SEL = 1, the crystal or LVDS option is selected and the crystal or LVDS is applied to Pin 31 and Pin 32. The LVDS option is available only in SPI control mode. An SPI write to Bit 3 of Register 0x04 enables the LVDS clock option.

## DIGITAL FILTERING

The AD7761 offers two types of digital filters. In SPI control mode, these filters can be chosen on a per channel basis. In pin control mode, only one filter can be selected for all channels. The digital filters available on the AD7761 are

- Sinc5 low latency filter,  $-3 \text{ dB}$  at  $0.204 \times \text{ODR}$
- Wideband low ripple filter,  $-3 \text{ dB}$  at  $0.433 \times \text{ODR}$

Both filters can be operated in one of six different decimation rates, allowing the user to choose the optimal input bandwidth and speed of the conversion vs. the desired power mode or resolution.

### Sinc5 Filter

Most precision  $\Sigma\text{-}\Delta$  ADCs use a sinc filter. The sinc5 filter offered in the AD7761 enables a low latency signal path useful for dc inputs, for control loops, or where other specific postprocessing is required. The sinc5 filter path offers the lowest noise and power consumption. The sinc5 filter has a  $-3 \text{ dB}$  BW of  $0.204 \times \text{ODR}$ . Table 11 contains the noise performance for the sinc5 filter across power modes and decimation ratios.

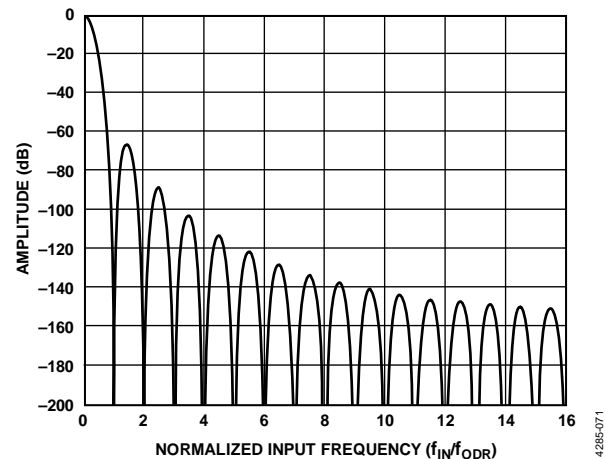


Figure 63. Sinc5 Filter Frequency Response (Decimation =  $\times 32$ )

The settling times for the AD7761 when using the sinc5 filter are shown in Table 26.

**Wideband Low Ripple Filter**

The wideband filter, referred to as a brick wall filter, has a low ripple pass band, within  $\pm 0.005$  dB of ripple, of  $0.4 \times \text{ODR}$ . The wideband filter has full attenuation at  $0.499 \times \text{ODR}$  (Nyquist), maximizing antialias protection. The wideband filter has a pass-band ripple of  $\pm 0.005$  dB and a stop band attenuation of 105 dB from Nyquist out to  $f_{\text{CHOP}}$ . For more information on antialiasing and  $f_{\text{CHOP}}$  aliasing, see the Antialiasing section.

The wideband filter is a very high order digital filter with a group delay of approximately  $34/\text{ODR}$ . After a synchronization pulse, there is an additional delay from the SYNC\_IN rising edge to fully settled data. The settling times for the AD7761 when using the wideband filter are shown in Table 25. See Table 10 for the noise performance of the wideband filter across power modes and decimation rates.

**Filter Settling Time**

The AD7761 digital filters are resynchronized on the rising edge of the SYNC\_IN signal. This resynchronization should be provided after power-up in pin control mode or SPI control mode, and after any reconfiguration of the device in SPI control mode, prior to capturing ADC samples. Once the SYNC\_IN rising edge is provided, there is a deterministic delay until the first new conversion result is available, and until the first settled data is available.

Table 25 and Table 26 provide these delays, measured in MCLK cycles, for wideband and sinc5 filters, respectively, for each possible setting of MCLK\_DIV. Each table provides the delays for configurations in which all channels are using the exact same configuration (Group B unused), and for configurations in which one or more channels have a different decimation rate applied (Group B is used).

For example, if a user configures channels with the wideband filter and  $\text{MCLK\_DIV} = \text{MCLK}/4$ , and assigns some channels to Group A with decimate x32 and others to Group B with decimate x64, then the delay until the first DRDY after the SYNC\_IN is 758 MCLK periods. All active channels then output the first data after 758 MCLK periods. However, due to differing decimation rates across channels, in this case the first settled data becomes available for the Group A channels 8,822 MCLK periods after SYNC\_IN, and after 17,014 MCLK periods for Group B channels.

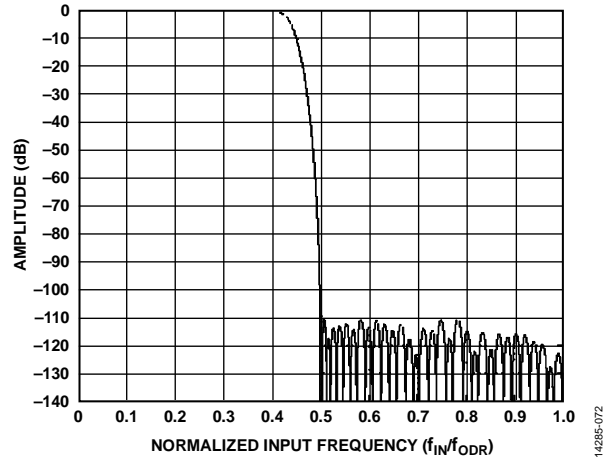


Figure 64. Wideband Filter Frequency Response

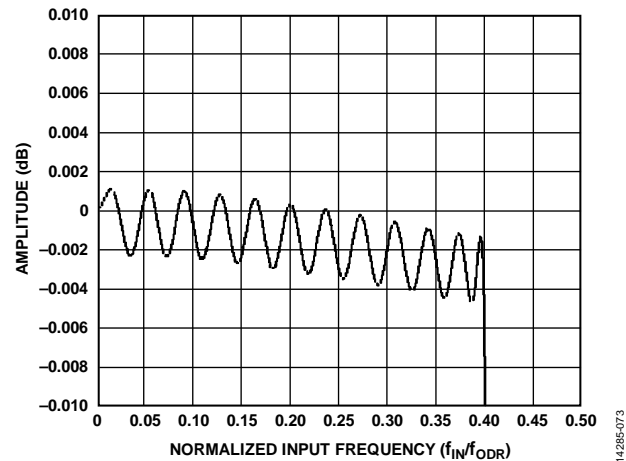


Figure 65. Wideband Filter Pass-Band Ripple

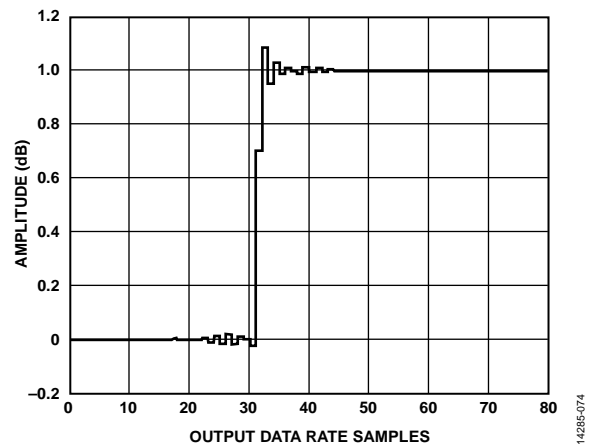


Figure 66. Wideband Filter Step Response

Table 25. Wideband Filter SYNC\_IN to Settled Data

MCLK_DIV Setting	Filter Type		Decimation Factor		Delay from First MCLK Rise After SYNC_IN Rise to First DRDY Rise	Delay from First MCLK Rise After SYNC_IN Rise to Earliest Settled Data, DRDY Rise	
					MCLK Periods	Group A	Group B
	Group A	Group B	Group A	Group B	MCLK Periods	MCLK Periods	MCLK Periods
MCLK/4	Wideband	Wideband	32	Unused	336	8400	Not applicable
	Wideband	Wideband	64	Unused	620	16,748	Not applicable
	Wideband	Wideband	128	Unused	1187	33,443	Not applicable
	Wideband	Wideband	256	Unused	2325	66,837	Not applicable
	Wideband	Wideband	512	Unused	4601	133,625	Not applicable
	Wideband	Wideband	1024	Unused	9153	267,201	Not applicable
	Wideband	Wideband	32	32	758	8822	8822
	Wideband	Wideband	32	64	758	8822	17,014
	Wideband	Wideband	32	128	758	8822	33,526
	Wideband	Wideband	32	256	758	8822	66,934
	Wideband	Wideband	32	512	758	8822	133,622
	Wideband	Wideband	32	1024	758	8822	267,253
	Wideband	Wideband	64	32	759	17,015	8823
	Wideband	Wideband	128	32	760	33,528	8824
	Wideband	Wideband	256	32	762	66,938	8826
	Wideband	Wideband	512	32	782	133,646	8846
	Wideband	Wideband	1024	32	806	267,302	8870
	MCLK/8	Wideband	Wideband	32	Unused	656	16,784
Wideband		Wideband	64	Unused	1225	33,481	Not applicable
Wideband		Wideband	128	Unused	2359	66,871	Not applicable
Wideband		Wideband	256	Unused	4635	133,659	Not applicable
Wideband		Wideband	512	Unused	9187	267,235	Not applicable
Wideband		Wideband	1024	Unused	18,291	534,387	Not applicable
Wideband		Wideband	32	32	820	16,948	16,948
Wideband		Wideband	32	64	820	16,948	33,588
Wideband		Wideband	32	128	820	16,948	66,868
Wideband		Wideband	32	256	820	16,948	133,684
Wideband		Wideband	32	512	820	16,948	267,316
Wideband		Wideband	32	1024	820	16,948	534,580
Wideband		Wideband	64	32	822	33,590	16,950
Wideband		Wideband	128	32	824	66,872	16,952
Wideband		Wideband	256	32	844	133,708	16,972
Wideband		Wideband	512	32	836	267,332	16,964
Wideband		Wideband	1024	32	852	534,612	16,980
MCLK/32		Wideband	Wideband	32	Unused	2587	67,099
	Wideband	Wideband	64	Unused	4855	133,879	Not applicable
	Wideband	Wideband	128	Unused	9391	267,439	Not applicable
	Wideband	Wideband	256	Unused	18,495	534,591	Not applicable
	Wideband	Wideband	512	Unused	36,703	1,068,895	Not applicable
	Wideband	Wideband	1024	Unused	73,119	2,137,503	Not applicable
	Wideband	Wideband	32	32	2587	67,099	67,099
	Wideband	Wideband	32	64	2587	67,099	134,683
	Wideband	Wideband	32	128	2587	67,099	267,803
	Wideband	Wideband	32	256	2587	67,099	535,067
	Wideband	Wideband	32	512	2587	67,099	1,069,595
	Wideband	Wideband	32	1024	2587	67,099	2,137,627
	Wideband	Wideband	64	32	2587	134,683	67,099
	Wideband	Wideband	128	32	2587	267,803	67,099
	Wideband	Wideband	256	32	2587	535,067	67,099
	Wideband	Wideband	512	32	2587	1,069,595	67,099
	Wideband	Wideband	1024	32	2587	2,137,627	67,099

Table 26. Sinc5 Filter SYNC\_IN to Settled Data

Power Mode	Filter Type		Decimation Factor		Delay from First MCLK Rise After SYNC_IN Rise to First DRDY Rise	Delay from First MCLK Rise After SYNC_IN Rise to Earliest Settled Data, DRDY Rise	
					MCLK Periods	Group A	Group B
	Group A	Group B	Group A	Group B	MCLK Periods	MCLK Periods	MCLK Periods
MCLK/4	Sinc5	Sinc5	32	Unused	199	839	Not applicable
	Sinc5	Sinc5	64	Unused	327	1607	Not applicable
	Sinc5	Sinc5	128	Unused	583	3143	Not applicable
	Sinc5	Sinc5	256	Unused	1095	6215	Not applicable
	Sinc5	Sinc5	512	Unused	2119	12359	Not applicable
	Sinc5	Sinc5	1024	Unused	4167	24,647	Not applicable
	Sinc5	Sinc5	32	32	199	839	839
	Sinc5	Sinc5	32	64	199	839	1607
	Sinc5	Sinc5	32	128	199	839	3143
	Sinc5	Sinc5	32	256	199	839	6215
	Sinc5	Sinc5	32	512	199	839	12,359
	Sinc5	Sinc5	32	1024	199	839	24,647
	Sinc5	Sinc5	64	32	199	1607	839
	Sinc5	Sinc5	1024	32	199	24,647	839
MCLK/8	Sinc5	Sinc5	32	Unused	383	1663	Not applicable
	Sinc5	Sinc5	64	Unused	639	3199	Not applicable
	Sinc5	Sinc5	128	Unused	1151	6271	Not applicable
	Sinc5	Sinc5	256	Unused	2175	12,415	Not applicable
	Sinc5	Sinc5	512	Unused	4223	24,703	Not applicable
	Sinc5	Sinc5	1024	Unused	8319	49,279	Not applicable
	Sinc5	Sinc5	32	32	383	1663	1663
	Sinc5	Sinc5	32	64	383	1663	3199
	Sinc5	Sinc5	32	128	383	1663	6271
	Sinc5	Sinc5	32	256	398	1663	12,415
	Sinc5	Sinc5	32	512	398	1663	24,703
	Sinc5	Sinc5	32	1024	398	1663	49,279
	Sinc5	Sinc5	64	32	383	3199	1663
	Sinc5	Sinc5	1024	32	398	49,279	1663
MCLK/32	Sinc5	Sinc5	32	Unused	1487	6607	Not applicable
	Sinc5	Sinc5	64	Unused	2511	12,751	Not applicable
	Sinc5	Sinc5	128	Unused	4559	25,039	Not applicable
	Sinc5	Sinc5	256	Unused	8655	49,615	Not applicable
	Sinc5	Sinc5	512	Unused	16,847	98,767	Not applicable
	Sinc5	Sinc5	1024	Unused	33,231	197,071	Not applicable
	Sinc5	Sinc5	32	32	1487	6607	6607
	Sinc5	Sinc5	32	64	1487	6607	12,751
	Sinc5	Sinc5	32	128	1487	6607	25,039
	Sinc5	Sinc5	32	256	1487	6607	49,615
	Sinc5	Sinc5	32	512	1487	6607	98,767
	Sinc5	Sinc5	32	1024	1487	6607	197,071
	Sinc5	Sinc5	64	32	1487	12,751	6607
	Sinc5	Sinc5	1024	32	1487	197,071	6607

## DECIMATION RATE CONTROL

The AD7761 has programmable decimation rates for the digital filters. The decimation rates allow the user to reduce the measurement bandwidth, reducing the speed but increasing the resolution. When using the SPI control, control the decimation rate on the AD7761 through the channel mode registers. These registers set two separate channel modes with a given decimation rate and filter type. Each ADC is mapped to one of these modes via the channel mode select register. Table 27 details both the decimation rates available, and the filter types for selection, within Channel Mode A and Channel Mode B.

In pin control mode, the decimation ratio is controlled by the DEC0 and DEC1 pins; see Table 15 for the decimation configuration in pin control mode.

**Table 27. Channel Mode x Registers, Register 0x01 and Register 0x02**

Bits	Name	Logic Value	Decimation Rate
3	FILTER_TYPE_x	0	Wideband filter
		1	Sinc5 filter
[2:0]	DEC_RATE_x	000	32
		001	64
		010	128
		011	256
		100	512
		101	1024
		110	1024
		111	1024

## ANTI\_ALIASING

Because the AD7761 is a switched capacitor, discrete time ADC, the user may want to employ external analog antialiasing filters to protect against foldback of out of band tones.

Within this section, an out of band tone refers to an input frequency greater than the pass band frequency specification of the digital filter that is applied at the analog input.

When designing an antialiasing filter for the AD7761, three main aliasing regions must be taken into account. After the alias requirements of each zone are understood, the user can design an antialiasing filter to meet the needs of the specific application. The three zones for consideration are related to the modulator sampling frequency, the modulator chopping frequency, and the modulator saturation point.

### Modulator Sampling Frequency

The AD7761 modulator signal transfer function includes a notch, at odd multiples of  $f_{MOD}$ , to reject tones or harmonics related to the modulator clock. The modulator itself attenuates signals at frequencies of  $f_{MOD}$ ,  $3 \times f_{MOD}$ ,  $5 \times f_{MOD}$ , and so on. For an MCLK frequency of 32.768 MHz, the attenuation is approximately 35 dB in fast mode, 41 dB in median mode, and 53 dB in low power mode. Attenuation is increased by 6 dB across each power mode, with every halving of the MCLK frequency, for example, when reducing the clock from 32.768 MHz to 16.384 MHz.

The modulator has no rejection to signals that are at frequencies in zones around  $2 \times f_{MOD}$  and all even multiples of  $f_{MOD}$ . Signals at these frequencies are aliased by the AD7761. For the AD7761, the first of these zones that requires protection is at  $2 \times f_{MOD}$ . Because typical switch capacitor, discrete time  $\Sigma\text{-}\Delta$  modulators provide no protection to aliasing at the frequency,  $f_{MOD}$ , the AD7761 provides a distinct advantage in this regard.

Figure 67 shows the frequency response of the modulator and wideband digital filter to out of band tones at the analog input. Figure 67 shows the magnitude of an alias that is seen in band vs. the frequency of the signal sampled at the analog input. The relationship between the input signal and the modulator frequency is expressed in a normalized manner as a ratio of the input signal frequency ( $f_{IN}$ ) to the modulator frequency ( $f_{MOD}$ ). This data demonstrates the ADC frequency response relative to out of band tones when using the wideband filter. The  $f_{IN}$  is swept from dc to 20 MHz. In fast mode, using an 8.192 MHz  $f_{MOD}$  frequency, the x-axis spans ratios of  $f_{IN}/f_{MOD}$  from 0 to 2.44 (equivalent to  $f_{IN}$  of 0 Hz to 20 MHz). A similar characteristic occurs in median and low power modes.

The notch appears in Figure 67 with  $f_{IN}$  at  $f_{MOD}$  (designated at  $f_{IN}/f_{MOD} = 1.00$  on the x-axis). An input at this frequency is attenuated by 35 dB, which adds to the attenuation of any external antialiasing filter, thus reducing the frequency roll-off requirement of the external filter. If the plot is swept further in frequency, the notch is seen to recur at  $f_{IN}/f_{MOD} = 3.00$ .

The point where  $f_{IN} = 2 \times f_{MOD}$  (designated on the x-axis at 2.00) offers 0 dB attenuation, indicating that all signals falling at this frequency alias directly back into the ADC conversion results, in accordance with the sampling theory.

The AD7761 wideband digital filter also offers an added protection against aliasing. Because the wideband filter has full attenuation at the Nyquist frequency ( $f_{ODR}/2$ , where  $f_{ODR} = f_{MOD}/\text{Decimation Rate}$ ), input frequencies, and in particular harmonics of input frequencies, that may fall close to  $f_{ODR}/2$ , do not fold back into the pass band of the AD7761.

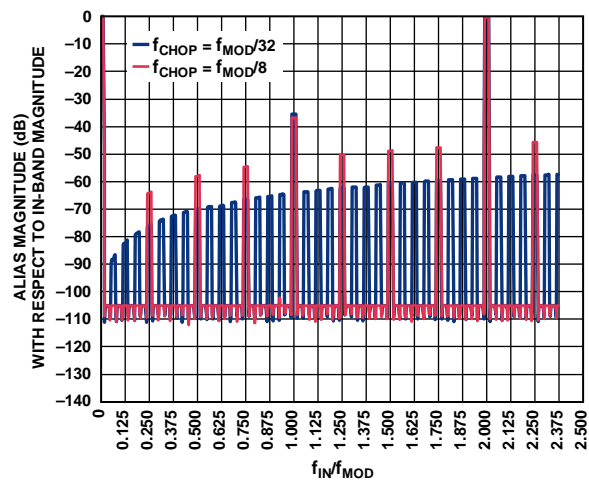


Figure 67. Rejection of Out of Band Input Tones, Wideband Filter, Decimation =  $\times 32$ ,  $f_{MOD} = 8.192$  MHz, Analog Input Sweep from DC to 20 MHz



**Modulator Chopping Frequency**

Figure 67 plots two scenarios that relate to the chopping frequency of the AD7761 modulator.

The AD7761 uses a chopping technique in the modulator similar to that of a chopped amplifier to remove offset, offset drift, and 1/f noise. The AD7761 default chopping rate is  $f_{MOD}/32$ . In pin control mode, the chop frequency is hardwired to  $f_{MOD}/32$ . In SPI control mode, the user can select the chop frequency to be either  $f_{MOD}/32$  or  $f_{MOD}/8$ .

As shown in Figure 67, the stop band rejection of the digital filter is reduced at frequencies that relate to even multiples of the chopping frequency ( $f_{CHOP}$ ). All other out of band frequencies (excluding those already discussed relating to the modulator clock frequency,  $f_{MOD}$ ) are rejected by the stop band attenuation of the digital filter. An out of band tone with a frequency in the range of  $(2 \times f_{CHOP}) \pm f_{3dB}$ , where  $f_{3dB}$  is the filter bandwidth employed, is attenuated to the envelope determined by the chop frequency setting (see Figure 67), and aliased into the pass band. Out of band tones near additional even multiples of  $f_{CHOP}$  (that is,  $N \times f_{CHOP}$ , where N is an even integer), are attenuated and aliased in the same way.

Chopping at  $f_{MOD}/32$  offers the best performance for noise, offset, and offset drift for the AD7761.

For ac performance it may be useful to select chopping at  $f_{MOD}/8$  as this moves the first chopping tone to a higher frequency. However, chopping at  $f_{MOD}/8$  may lead to slightly degraded noise (approximately 1 dB loss in dynamic range) and offset performance compared to the default chop rate of  $f_{MOD}/32$ .

Table 28 shows the aliasing achieved by different order anti-aliasing filter options at the critical frequencies of  $f_{MOD}/32$  and  $f_{MOD}/8$  for chop aliasing,  $f_{MOD}/16$  for modulator saturation, and  $2 \times f_{MOD}$  for the first zone with 0 dB attenuation. It assumes the corner frequency of the antialiasing filter is at  $f_{MOD}/64$ , which is just above the maximum input bandwidth that the AD7761 digital filter can pass when using a decimate by 32 filter setting.

**Table 28. External Antialiasing Filter Attenuation**

RC Filter	$f_{MOD}/32$ (dB)	$f_{MOD}/16$ (dB)	$f_{MOD}/8$ (dB)	$2 \times f_{MOD}$ (dB)
First Order	-6	-12	-18	-42
Second Order	-12	-24	-36	-84
Third Order	-18	-36	-54	-126

**Modulator Saturation Point**

A  $\Sigma$ - $\Delta$  modulator can be considered a standard control loop, employing negative feedback. The control loop works to ensure that the average processed error signal is very small over time. It uses an integrator to remember preceding errors and force the mean error to be zero. As the input signal rate of change increases with respect to the modulator clock,  $f_{MOD}$ , a larger voltage feedback error is processed. Above a certain frequency, the error begins to saturate the modulator.

For the AD7761, the modulator may saturate for full-scale input frequencies greater than  $f_{MOD}/16$  (as shown in Figure 68), depending on the rate of change of input signal, input signal amplitude, and reference input level. A half power input tone at  $f_{MOD}/8$  can also cause the modulator to saturate. In applications where there may be high amplitude and frequency out of band tones, a first-order antialiasing filter is required with a -3 dB corner frequency set at  $f_{MOD}/16$  to protect against modulator saturation. For example, if operating the AD7761 at full speed and using a decimation rate of  $\times 32$  to achieve an output data rate of 256 kSPS, the modulator rate is equal to 8.192 MHz. In this instance, to protect against saturation, set the antialiasing filter -3 dB corner frequency to 512 kHz.

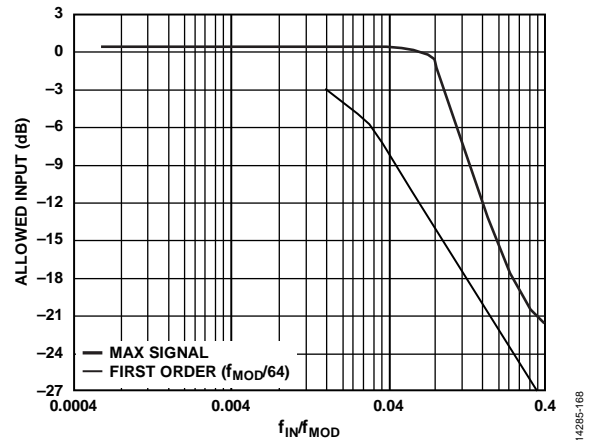


Figure 68. Maximum Input Signal vs. Frequency

## CALIBRATION

In SPI control mode, the AD7761 offers users the ability to adjust offset, gain, and phase delay on a per channel basis.

### Offset Adjustment

The CHx\_OFFSET\_MSB, CHx\_OFFSET\_MID, and CHx\_OFFSET\_LSB registers are 24-bit, signed twos complement registers for channel offset adjustment. If the channel gain setting is at its ideal nominal value of 0x555555, an LSB of offset register adjustment changes the digital output by  $-1/192$  LSBs. For example, changing the offset register from 0 to 4800 changes the digital output by  $-25$  LSBs. Because offset calibration occurs before gain calibration, the ratio of  $-1/192$  changes linearly with gain adjustment via the Channel x gain registers (see Table 53). After a reset or power cycle, the offset register values revert to the default factory setting.

### Gain Adjustment

Each ADC channel has an associated gain coefficient. The coefficient is stored in three single-byte registers split up as MSB, MID, and LSB. Each of the gain registers are factory programmed. Nominally, this gain is around the value 0x555555 (for an ADC channel). The user can overwrite the gain register setting. However, after a reset or power cycle, the gain register values revert to the hard coded programmed factory setting.

Calculate the approximate result that is output using the following formula:

$$Data = \left( \frac{3 \times V_{IN}}{V_{REF}} \times 2^{21} - (Offset) \right) \times \frac{Gain}{1024} \times \frac{4,194,300}{2^{42}}$$

where:

*Offset* is the offset register setting.

*Gain* is the gain register setting.

### Sync Phase Offset Adjustment

The AD7761 has one synchronization signal for all channels. The sync phase offset register allows the user to vary the phase delay on each channel relative to the synchronization edge received on the SYNC\_IN pin.

By default, all ADC channels react simultaneously to the SYNC\_IN pulse. The sync phase registers can be programmed to equalize known external phase differences on

the ADC input channels, relative to one another. The range of phase compensation is limited to a maximum of one conversion cycle, and the resolution of the correction depends on the decimation rate in use.

Table 29 displays the resolution and register bits used for phase offset for each decimation ratio.

**Table 29. Phase Delay Resolution**

Decimation Ratio	Resolution	Steps	Sync Phase Offset Register Bits
×32	$1/f_{MOD}$	32	[7:3]
×64	$1/f_{MOD}$	64	[7:2]
×128	$1/f_{MOD}$	128	[7:1]
×256	$1/f_{MOD}$	256	[7:0]
×512	$2/f_{MOD}$	256	[7:0]
×1024	$4/f_{MOD}$	256	[7:0]

Adjusting the sync phase of channels can affect the time to the first  $\overline{DRDY}$  pulse after the sync pulse, as well as the time to Bit 6 of the header status (filter not settled data bit) being cleared, that is, the time to settled data.

If all channels are using the sinc5 filter, the time to the first  $\overline{DRDY}$  pulse is not affected by the adjustment of the sync phase offset, assuming that at least one channel has zero sync phase offset adjustment. If all channels have a nonzero sync phase offset setting, the time to the first  $\overline{DRDY}$  pulse is delayed according to the channel that has the least offset applied. Channels with a sync offset adjustment setting that delays the internal sync signal, relative to other channels, may not output settled data until after the next  $\overline{DRDY}$  pulse. In other words, there may be a delay of one ODR period between the settled data being output by the AD7761 for the channels with added phase delay.

If all channels are using the wideband filter, the time to the first  $\overline{DRDY}$  pulse and the time to settled data is delayed according to the channel with the maximum phase delay setting. In this case, the interface waits for the latest channel and outputs data for all channels when that channel is ready.



# DATA INTERFACE

## SETTING THE FORMAT OF DATA OUTPUT

The data interface format is determined by setting the FORMATx pins. The logic state of the FORMATx pins is read on power-up and determines how many data lines (DOUTx) the ADC conversions are output on.

Because the FORMATx pins are read on power-up of the AD7761 and the device remains in this output configuration, this function must always be hardwired and cannot be altered dynamically. Table 30, Figure 69, Figure 70, and Figure 71 show the formatting configuration for the digital output pins on the AD7761.

Calculate the minimum required DCLK rate for a given data interface configuration as follows:

$$DCLK \text{ (minimum)} = \text{Output Data Rate} \times \text{Channels per DOUTx} \times 24$$

where  $MCLK \geq DCLK$ .

For example, if  $MCLK = 32.768 \text{ MHz}$ , with two DOUTx lines,

$$DCLK \text{ (minimum)} = 256 \text{ kSPS} \times 4 \text{ channels per DOUTx} \times 24 = 24.576 \text{ MHz}$$

Therefore,  $DCLK = MCLK/1$  is required.

Alternatively, if  $MCLK = 32.768 \text{ MHz}$ , with eight DOUTx lines,

$$DCLK \text{ (minimum)} = 256 \text{ kSPS} \times 1 \text{ channel per DOUTx} \times 24 = 6.144 \text{ MHz}$$

Therefore,  $DCLK = MCLK/4$  ( $DCLK = 8.192 \text{ MHz}$ ) is sufficient.

Higher DCLK rates make it easier to receive the conversion data from the AD7761 with a lower number of DOUTx lines; however, there is a trade-off against ADC offset performance with higher DCLK frequencies. For the best offset and offset drift performance, use the lowest DCLK frequency possible. The user can choose to reduce the DCLK frequency by an appropriate selection of MCLK frequency, DCLK divider, and/or the number of DOUTx lines used.

Table 30. FORMATx Truth Table

FORMAT1	FORMAT0	Description
0	0	Each ADC channel outputs on its own dedicated pin. DOUT0 to DOUT7 are in use.
0	1	The ADCs share the DOUT0 and DOUT1 pins: Channel 0 to Channel 3 output on DOUT0. Channel 4 to Channel 7 output on DOUT1. The ADC channels share data pins in time division multiplexed (TDM) output. DOUT0 and DOUT1 are in use.
1	X	All channels output on the DOUT0 pin, in TDM output. Only DOUT0 is in use.

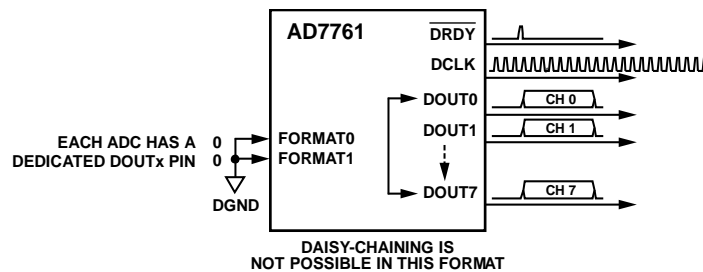


Figure 69. FORMATx = 00, Eight Data Output Pins

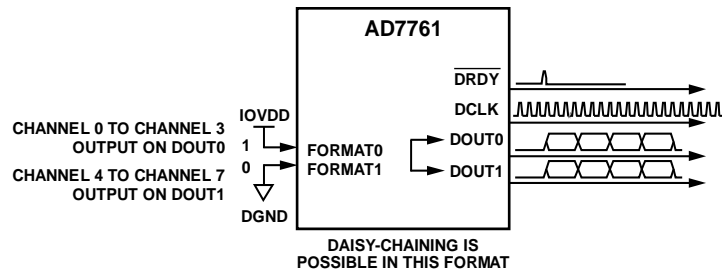


Figure 70. FORMATx = 01, Two Data Output Pins

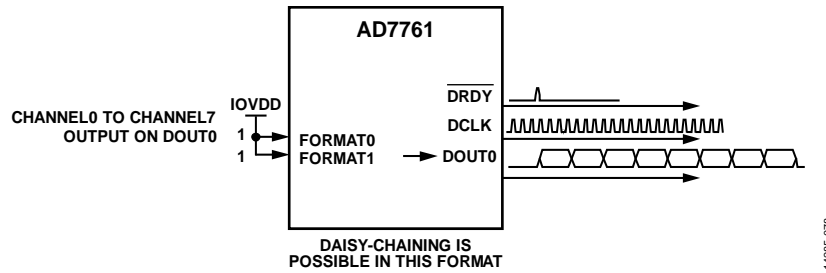


Figure 71. FORMATx = 10 or 11, One Data Output Pin

## ADC CONVERSION OUTPUT: HEADER AND DATA

The AD7761 data is output on the DOUT0 to DOUT7 pins, depending on the FORMATx pins. The actual structure of the data output for each ADC result is shown in Figure 72. Each ADC result comprises 24 bits. The first eight bits are the header status bits, which contain status information and the channel number. The names of each of the header status bits are shown in Table 31, and their functions are explained in the subsequent sections. This header is followed by a 16-bit ADC output in two's complement coding, MSB first.

Transitions on the  $\overline{\text{DRDY}}$  and the DOUTx pins are aligned with the rising edge of DCLK. See Figure 2 and Table 2 for details.

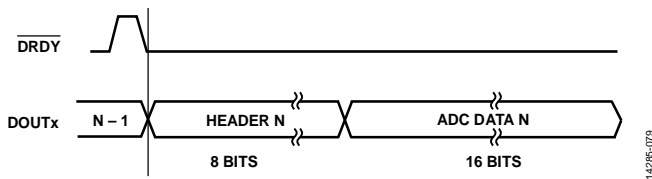


Figure 72. ADC Output: 8-Bit Header, 16-Bit ADC Conversion Data

Table 31. Header Status Bits

Bit	Bit Name
7	ERROR_FLAGGED
6	Filter not settled
5	Repeated data
4	Filter type
3	Filter saturated
[2:0]	Channel ID[2:0]

### ERROR\_FLAGGED

The ERROR\_FLAGGED bit indicates when a serious error occurs. If this bit is set, a reset is required to clear this bit. This bit indicates that the external clock is not detected, a memory map bit unexpectedly changes state, or an internal CRC error is detected.

When an external clock is not detected, the conversion results are output as all zeros regardless of the analog input voltages applied to the ADC channels.

### Filter Not Settled

After power-up, reset, or synchronization, the AD7761 clears the digital filters and begins conversion. Due to the weighting of the digital filters, there is a delay from the first conversion to fully settled data. The settling times for the AD7761 when using the

wideband and sinc5 filters are shown in Table 25 and Table 26, respectively. This bit is set if this settling delay has not yet elapsed.

### Repeated Data

If different channels use different decimation rates, data outputs are repeated for the slower speed channels. In these cases, the header is output as normal with the repeated data bit set to 1, and the following repeated ADC result is output as all zeros. This bit indicates that the conversion result of all zeros is not real; it indicates that there is a repeated data condition because two different decimation rates are selected. This condition can only occur during SPI control of the AD7761.

### Filter Type

In pin control mode, all channels operate using one filter selection. The filter selected in pin control mode is determined by the logic level of the FILTER pin. In SPI control mode, the digital filters can be selected on a per channel basis, using the mode registers. This header bit is 0 for channels using the wideband filter, and 1 for channels using the sinc5 filter.

### Filter Saturated

The filter saturated bit indicates that the filter output is clipping at either positive or negative full scale. The digital filter clips if the signal goes beyond the specification of the filter; it does not wrap. The clipping may be caused by the analog input exceeding the analog input range, or by a step change in the input, which may cause overshoot in the digital filter. Clipping may also occur when the combination of the analog input signal and the channel gain register setting causes the signal seen by the filter to be higher than the analog input range.

### Channel ID

The channel ID bits indicate the ADC channel from which the succeeding conversion data originates (see Table 32).

Table 32. Channel ID vs. Channel Number

Channel	Channel ID 2	Channel ID 1	Channel ID 0
Channel 0	0	0	0
Channel 1	0	0	1
Channel 2	0	1	0
Channel 3	0	1	1
Channel 4	1	0	0
Channel 5	1	0	1
Channel 6	1	1	0
Channel 7	1	1	1

**Data Interface: Standard Conversion Operation**

In standard mode operation, the AD7761 operates as the master and streams data to the DSP or FPGA. The AD7761 supplies the data, the data clock (DCLK), and a falling edge framing signal (DRDY) to the slave device. All of these signals are synchronous. The data interface connections to DSP/FPGA are shown in Figure 76. The FORMATx pins determine how the data is output from the AD7761.

Figure 73 through Figure 75 show the data interface operating in standard mode at the maximum data rate. In all instances, DRDY is asserted one clock cycle before the MSB of the data conversion is made available on the data pin.

Each DRDY falling edge starts the output of the new ADC conversion data. The first eight bits output after the DRDY falling edge are the header bits; the last 16 bits are the ADC conversion result.

Figure 73, Figure 74, and Figure 75 are distinct examples of the impact of the FORMATx pins on the AD7761 output operating in standard conversion operation.

Figure 73 to Figure 75 represent running the AD7761 at maximum data rate for the three FORMATx options.

Figure 73 shows FORMATx = 00. Each ADC has its own data out pin running at the MCLK/4 bit rate. In pin control mode, this is achieved by selecting Mode 0xA (fast mode, DCLK = MCLK/4, standard conversion, see Table 18) with the decimation rate set as  $\times 32$ .

Figure 74 shows FORMATx = 01 sharing DOUT1 at the maximum bit rate. In pin control mode, this is achieved by selecting Mode 0x8 (fast mode, DCLK = MCLK/1, standard conversion) with a decimation rate of  $\times 32$ .

If running in pin control mode, the example shown in Figure 75 represents Mode 0x4 (median mode, DCLK = MCLK/1, standard conversion) with a decimation rate of  $\times 32$ , giving the maximum output data capacity possible on one DOUTx pin.

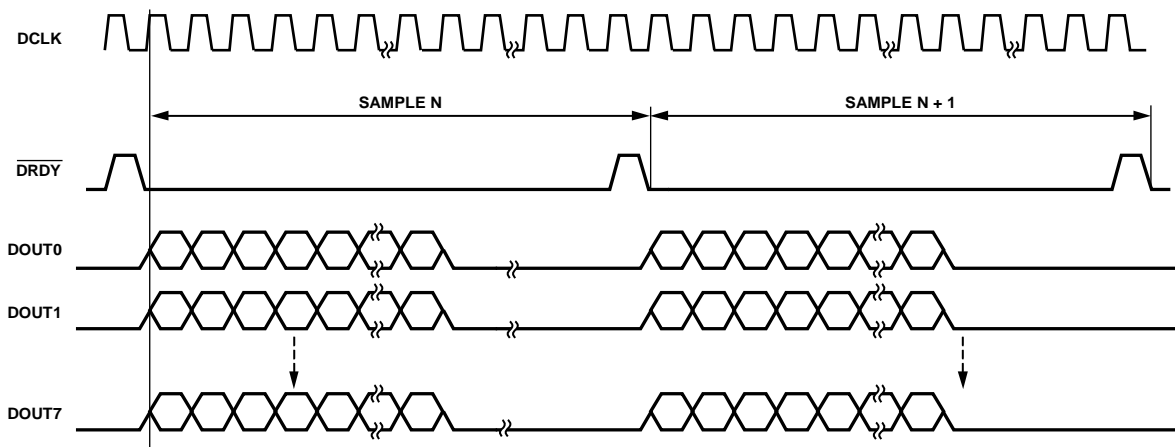


Figure 73. FORMATx = 00: Each ADC Has a Dedicated Data Output Pin, Maximum Data Rate

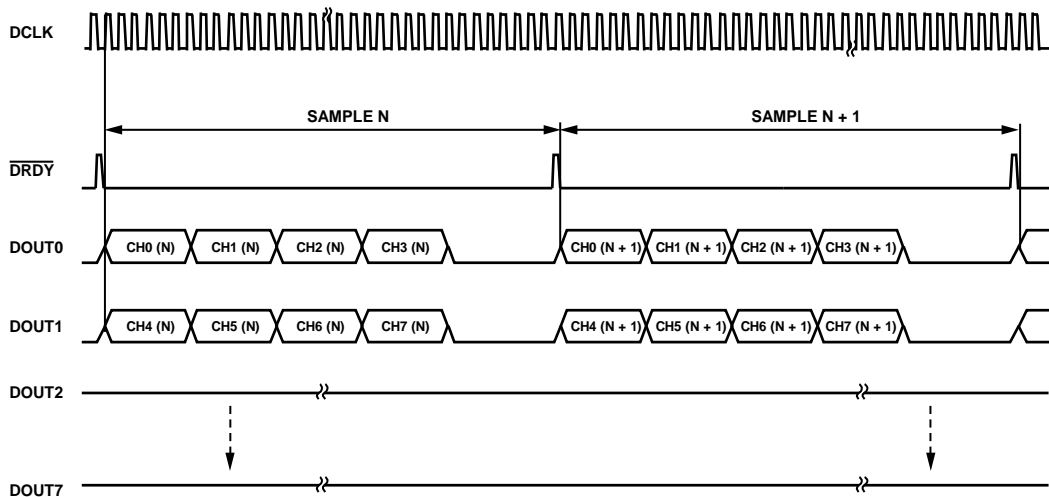
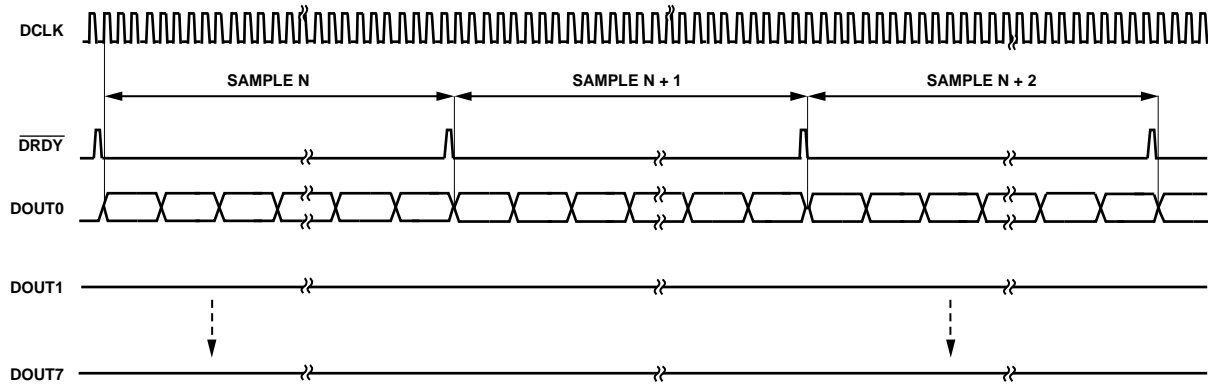
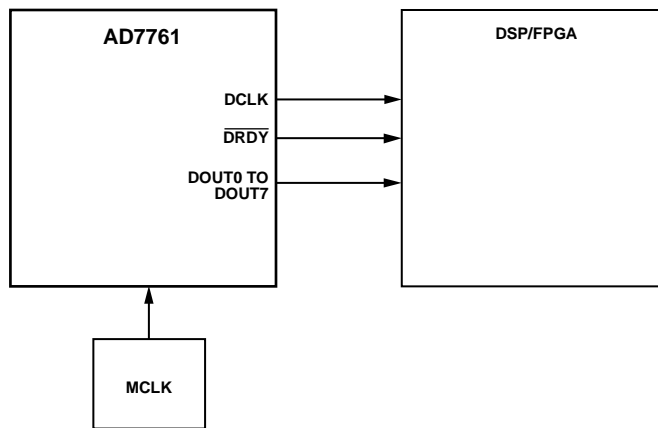


Figure 74. FORMATx = 01: Channel 0 to Channel 3 Share DOUT0, and Channel 4 to Channel 7 Share DOUT1, Maximum Data Rate (DOUT6 and DOUT7 Are Inputs in This Configuration)



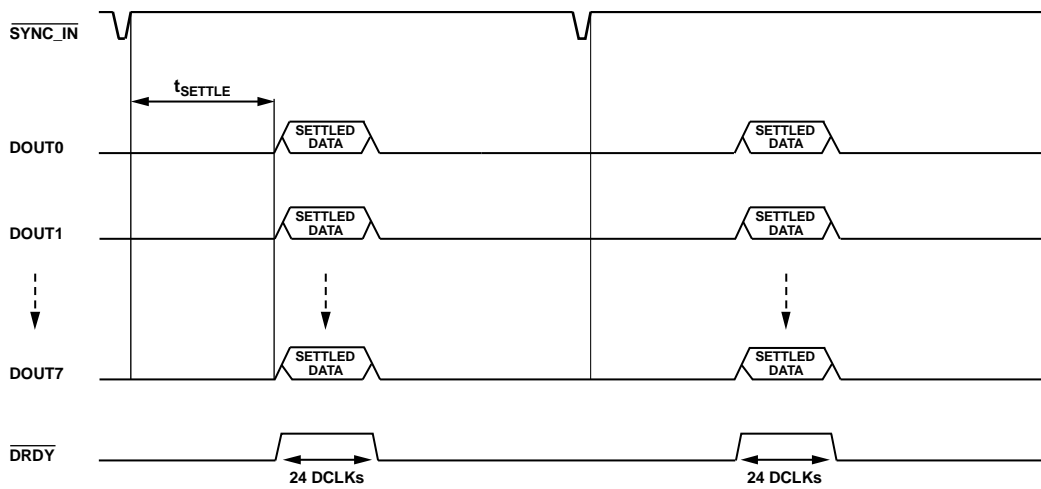
14285-082

Figure 75.  $FORMATx = 11$  or  $10$ : Channel 0 to Channel 7 Output on DOUT0 Only, Maximum Data Rate (DOUT6 and DOUT7 Are Inputs in This Configuration)



14285-083

Figure 76. Data Interface: Standard Conversion Operation, AD7761 = Master, DSP/FPGA = Slave



14285-084

Figure 77. One-Shot Mode

**Data Interface: One-Shot Conversion Operation**

One-shot mode is available in both SPI and pin control modes. This conversion mode is available by selecting one of Mode 0xC to Mode 0xF when in pin control mode. In SPI control mode, set Bit 4 (one-shot mode) of Register 0x06, the data control register. Figure 77 shows the device operating in one-shot mode.

In one-shot mode, the AD7761 is a pseudoslave. Conversions occur on request by the master device, for example, the DSP or FPGA. The SYNC\_IN pin initiates the conversion request. In one-shot mode, all ADCs run continuously; however, the rising edge of the SYNC\_IN pin controls the point in time from which data is output.

To receive data, the master must pulse the SYNC\_IN pin to reset the filter and force DRDY low. DRDY subsequently goes high to indicate to the master device that the device has valid settled data available. Unlike standard mode, DRDY remains high for the number of clock periods of valid data before it goes low again; thus, in this conversion mode, it is an active high frame of the data.

When the master pulses SYNC\_IN and the AD7761 receives the rising edge of this signal, the digital filter is reset and the full settling time of the filter elapses before the data is available. The duration of the settling time depends on the filter path and decimation rate. Running one-shot mode with the sinc5 filter allows the fastest throughput, because this filter has a lower settling time than the wideband filter.

As soon as settled data is available on any channel, the device outputs data from all channels. The contents of Bit 6 of the channel header status bits indicates whether the data is fully settled.

The period before the data is settled on all channels is shown in Figure 77. The settling time ( $t_{SETTLE}$ ) for the AD7761 in one-shot mode is equivalent to the number of clock cycles specified as Delay from First MCLK Rise After SYNC\_IN Rise to Earliest Settled Data, DRDY Rise in Table 26. After the data has settled on all channels, DRDY is asserted high and the device outputs the required settled data on all channels before DRDY is asserted low. If the user configures the same filter and decimation rate on each ADC, the data is settled for all channels on the first DRDY output frame, which avoids a period of unsettled data prior to the settled data and ensures that all data is output at the same time on all ADCs. The device then waits for another SYNC\_IN signal before outputting more data.

Because all the ADCs are sampling continuously, one-shot mode affects the sampling theory of the AD7761. Particularly, a user periodically sending a SYNC\_IN pulse to the device is a form of subsampling of the ADC output. The subsampling occurs at the rate of the SYNC\_IN pulses. The SYNC\_IN pulse must be synchronous with the master clock to ensure coherent sampling and to reduce the effects of jitter on the frequency response.

**Daisy-Chaining**

Daisy-chaining devices allows numerous devices to use the same data interface lines by cascading the outputs of multiple ADCs from separate AD7761 devices. Only one ADC device has its data interface in direct connection with the digital host.

For the AD7761, this connection can be implemented by cascading DOUT0 and DOUT1 through a number of devices, or using only DOUT0; whether two data output pins or only one data output pin is enabled depends on the FORMATx pins. The ability to daisy-chain devices and the limit on the number of devices that can be handled by the chain is dependent on the power mode, DCLK, and the decimation rate employed.

The maximum usable DCLK frequency allowed when daisy-chaining devices is limited by the combination of timing specifications in Table 2 or Table 4, as well as by the propagation delay of the data between devices and any skew between the MCLK signals at each AD7761 device. The propagation delay and MCLK skew are dependent on the PCB layout and trace lengths.

This feature is especially useful for reducing component count and wiring connections, for example, in isolated multiconverter applications or for systems with a limited interfacing capacity.

When daisy-chaining on the AD7761, DOUT6 and DOUT7 become serial data inputs, and DOUT0 and DOUT1 remain as serial data outputs under the control of the FORMATx pins.

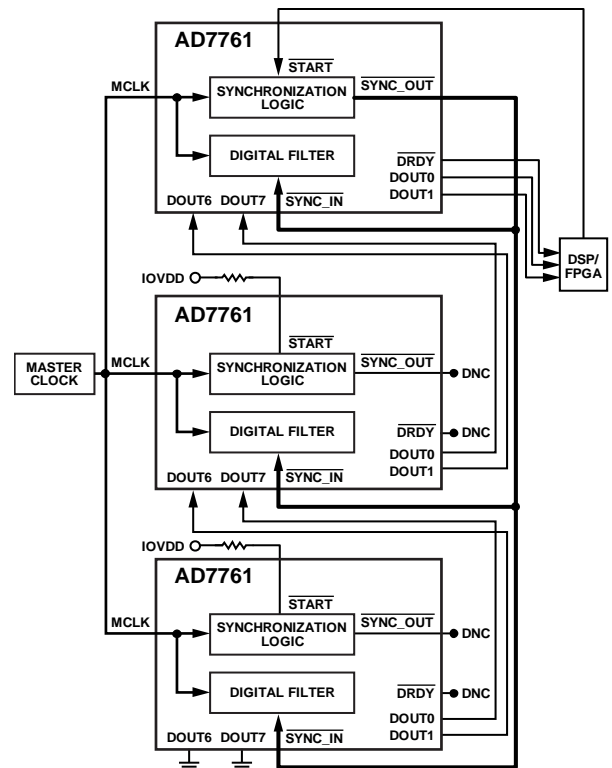


Figure 78. Daisy-Chaining Multiple AD7761 Devices

14285-085

Figure 78 shows an example of daisy-chaining AD7761 devices, when  $\text{FORMATx} = 01$ . In this case, the DOUT1 and DOUT0 pins of the AD7761 devices are cascaded to the DOUT6 and DOUT7 pins of the next device in the chain. Data readback is analogous to clocking a shift register where data is clocked out on the rising edge of DCLK. Input data on the DOUT6 and DOUT7 pins is sampled on the falling edge of DCLK.

The scheme operates by passing the output data of the DOUT0 and DOUT1 pins of an AD7761 upstream device to the DOUT6 and DOUT7 inputs of the next AD7761 device downstream in the chain. The data then continues through the chain until it is clocked onto the DOUT0 and DOUT1 pins of the final downstream device in the chain.

Daisy-chaining can be achieved in a similar manner on the AD7761 when using only the DOUT0 pin. In this case, only Pin 21 of the AD7761 is used as the serial data input pin.

In a daisy-chained system of AD7761 devices, two successive synchronization pulses must be applied to guarantee that all ADCs are synchronized. Two synchronization pulses are also required in a system of more than one AD7761 device sharing a single MCLK signal, where the DRDY pin of only one device is used to detect new data.

The maximum DCLK frequency that can be used when daisy-chaining devices is a function of the AD7761 timing specifications ( $t_4$ , and  $t_{11}$  in Table 4), the MCLK duty cycle, and any timing differences between the AD7761 devices due to layout and spacing of devices on the PCB.

Use the following formula to aid in determining the maximum operating frequency of the interface:

$$f_{MAX} = \frac{1}{2 \times (t_{11} + t_4 + t_p + t_{SKEW})}$$

where:

$f_{MAX}$  is the maximum useable DCLK frequency.

$t_{11}$  and  $t_4$  are the AD7761 timing specifications (see Table 4).

$t_p$  is the maximum propagation delay of the data between successive AD7761 devices in the chain.

$t_{SKEW}$  is the maximum skew in the MCLK signal seen by any pair of AD7761 devices in the chain.

The MCLK duty cycle is 50:50, or DCLK is set to  $\text{MCLK}/2$ ,  $\text{MCLK}/4$ , or  $\text{MCLK}/8$ .

In the case where the MCLK duty cycle is not 50:50 and the interface is configured with  $\text{DCLK} = \text{MCLK}/1$ , ensure that the applied MCLK signal meets the minimum MCLK high pulse width requirement, as calculated by the following formula:

$$\text{MCLK Minimum High Pulse Width} = t_{11} + t_4 + t_p + t_{SKEW}$$

## Synchronization

An important consideration for daisy-chaining more than two AD7761 devices is synchronization. The basic provision for synchronizing multiple devices is that each device is clocked with the same base MCLK signal.

The AD7761 offers three options to allow ease of system synchronization. Choosing between the options depends on the system, but is determined by whether the user can supply a synchronization pulse that is truly synchronous with the base MCLK signal.

If the user cannot provide a signal that is synchronous to the base MCLK signal, one of the following two methods can be employed:

- Apply a  $\overline{\text{START}}$  pulse to the first AD7761 device. The first AD7761 device samples the asynchronous  $\overline{\text{START}}$  pulse and generates a pulse on  $\overline{\text{SYNC\_OUT}}$  of the first device related to the base MCLK signal for distribution locally.
- Use synchronization over SPI (only available in SPI control mode) to write a synchronization command to the first AD7761 device. Similarly to the  $\overline{\text{START}}$  pin method, the SPI sync generates a pulse on  $\overline{\text{SYNC\_OUT}}$  of the first device related to the base MCLK signal for distribution locally.

In both cases, route the  $\overline{\text{SYNC\_OUT}}$  pin of the first device to the  $\overline{\text{SYNC\_IN}}$  pin of that same device and to the  $\overline{\text{SYNC\_IN}}$  pins of all other devices that are to be synchronized (see Figure 79). The  $\overline{\text{SYNC\_OUT}}$  pins of the other devices must remain open circuit. Tie all unused  $\overline{\text{START}}$  pins to a Logic 1 through pull-up resistors.

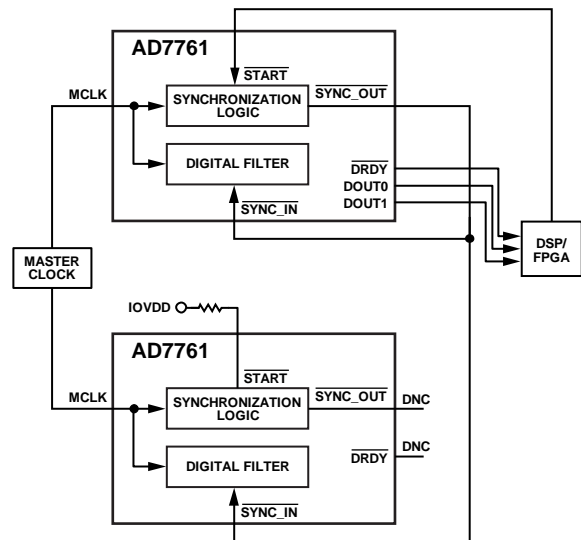


Figure 79. Synchronizing Multiple AD7761 Devices Using  $\overline{\text{SYNC\_OUT}}$

14285-086

If the user can provide a signal that is synchronous to the base MCLK, this signal can be applied directly to the SYNC\_IN pin. Route the signal from a star point and connect it directly to the SYNC\_IN pin of each AD7761 device (see Figure 80). The signal is sampled on the rising MCLK edge; setup and hold times are associated with the SYNC\_IN input are relative to the AD7761 MCLK rising edge.

In this case, tie the START pin to Logic 1 through a pull-up resistor; SYNC\_OUT is not used and can remain open circuit.

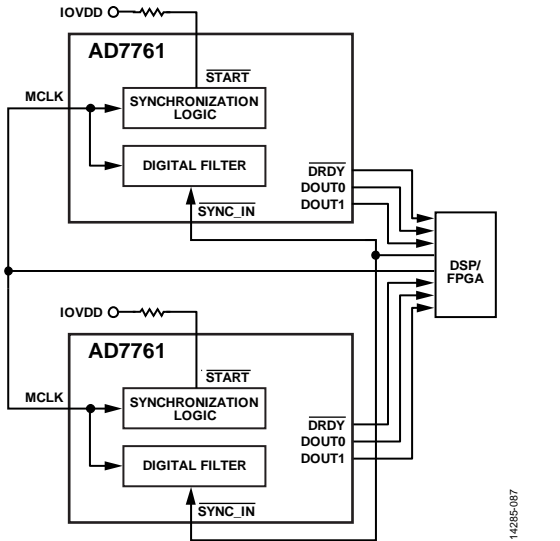


Figure 80. Synchronizing Multiple AD7761 Devices Using Only SYNC\_IN

**CRC Check on Data Interface**

The AD7761 delivers 24 bits per channel as standard, which by default consists of 8 status header bits and 16 bits of data.

The header bits move to the default value per the description in Table 31. However, there is also the option to employ a CRC check on the ADC conversion data. This functionality is available only when operating in SPI control mode. The function is controlled by CRC\_SELECT in the interface configuration register (Register 0x07). When employed, the CRC message is calculated internally by the AD7761 on a per channel basis. The CRC then replaces the 8-bit header every four samples or every 16 samples.

The following is an example of how the CRC works for four-sample mode (see Figure 81):

1. After a synchronization pulse is applied to the AD7761, the CRC register is cleared to 0xFF.
2. The next four 16-bit conversion data samples (N to N + 3) for a given channel stream into the CRC calculation.
3. For the first three samples that are output after the synchronization pulse (N to N + 2), the header contains the normal status bits.
4. For the fourth sample after the synchronization pulse (N + 3), the 8-bit CRC is sent out instead of the normal header status bits, followed by the sample conversion data. This CRC calculation includes the conversion data that is output immediately after the CRC header.
5. The CRC register is then cleared back to 0xFF and the cycle begins again for the fifth to eighth samples after the synchronization pulse.

It is possible to have channels outputting at different rates (for example, decimation by 32 on Channel 0 and decimation by 64 on Channel 1). In such cases, the CRC header still appears across all channels at the same time, that is, at every fourth DRDY pulse after a synchronization. For the channels operating at a relatively slower ODR, the CRC is still calculated and emitted every 4 or 16 DRDY cycles, even if this means that the nulled data is included. Therefore, a CRC is calculated for only nulled samples or for a combination of nulled samples and actual conversion data.

The AD7761 uses a CRC polynomial to calculate the CRC message. The 8-bit CRC polynomial used is  $x^8 + x^2 + x + 1$ .

The CRC Code Example section shows a snippet of the C code, which shows how the CRC value can be calculated for a given set of ADC conversion results. Running this code on sets of 4 or 16 conversion results gives the CRC value that the AD7761 gives per channel. The user can then compare the computed value from this code to the actual CRC value read from the AD7761, and so confirm that the data read is without error.

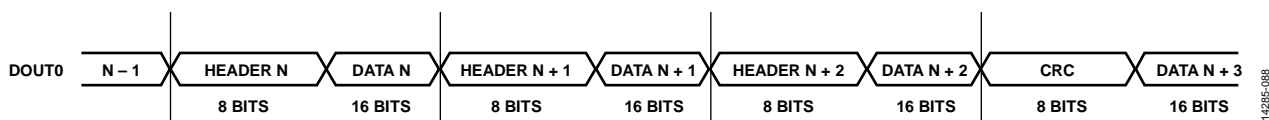


Figure 81. CRC 4-Bit Stream



**CRC Code Example**

```
#include <stdio.h>
    FILE *fil;
    FILE *fo1;
main(){
int num_data_bits=16; // 24 or 16
int num_data_words=4; //4 or 16

int data;
int crc[8],crc_new[8];
int i,j,n,k,num,bit,result;
const int num_crc_bits=8;
int bit_sel[num_data_bits];

bit_sel[23] = 0x800000;
bit_sel[22] = 0x400000;
bit_sel[21] = 0x200000;
bit_sel[20] = 0x100000;
bit_sel[19] = 0x080000;
bit_sel[18] = 0x040000;
bit_sel[17] = 0x020000;
bit_sel[16] = 0x010000;
bit_sel[15] = 0x008000;
bit_sel[14] = 0x004000;
bit_sel[13] = 0x002000;
bit_sel[12] = 0x001000;
bit_sel[11] = 0x000800;
bit_sel[10] = 0x000400;
bit_sel[9] = 0x000200;
bit_sel[8] = 0x000100;
bit_sel[7] = 0x000080;
bit_sel[6] = 0x000040;
bit_sel[5] = 0x000020;
bit_sel[4] = 0x000010;
bit_sel[3] = 0x000008;
bit_sel[2] = 0x000004;
bit_sel[1] = 0x000002;
bit_sel[0] = 0x000001;

fil = fopen("adcddata.txt", "r");
fo1 = fopen("crc_out.txt", "w");
j = 1;
```



```

//initialise CRC to FF
for (i=0;i<num_crc_bits;i++) crc[i]=1;

    result = ((crc[7]<<7) & 0x0080)
        | ((crc[6]<<6) & 0x0040)
        | ((crc[5]<<5) & 0x0020)
        | ((crc[4]<<4) & 0x0010)
        | ((crc[3]<<3) & 0x0008)
        | ((crc[2]<<2) & 0x0004)
        | ((crc[1]<<1) & 0x0002)
        | ((crc[0]<<0) & 0x0001);

printf("CRC Initialised to 0x%.02X \n",result);
fprintf(fo1,"-----\n");
fprintf(fo1,"CRC Initialised to 0x%.02X \n",result);

//run CRC on data

for (n = 0; n < num_data_words; n++){

    fprintf(fo1,"-----\n");
    fprintf(fo1,"Loop %d start\n",n+1);
    fprintf(fo1,"-----\n");
    fprintf(fo1,"ADC Data values\n");
    fprintf(fo1,"-----\n");
    fscanf(fil,"%x\n",&num);
    fprintf(fo1,"0x%.06X\n",num);
    fprintf(fo1,"-----\n");
    fprintf(fo1,"CRC values\n");
    fprintf(fo1,"-----\n");
    for (k=num_data_bits-1;k>=0;k--){
        //for (i=7;i>=0;i--){
        //    printf("%ld",crc[i]);
        //}
        bit = (num & bit_sel[k]); // msb first
        data = bit>>(k);
        printf(" bit_sel is: %.06X - data is : %X    ",bit_sel[k], data);
        crc_new[0]=data^crc[7];
        //debug printf(" qq(0) = %ld ",qq[0]);
        crc_new[1]=data^crc[7]^crc[0];
        crc_new[2]=data^crc[7]^crc[1];
        crc_new[3]=crc[2];
        crc_new[4]=crc[3];
        crc_new[5]=crc[4];
        crc_new[6]=crc[5];
        crc_new[7]=crc[6];
        //debug    printf("%8d    ",j);

```

```
    for (i=num_crc_bits-1;i>=0;i--){
        crc[i]=crc_new[i];
        printf("%ld",crc[i]);
    }
    //debug    printf("\n");
    result = ((crc[7]<<7) & 0x0080)
        | ((crc[6]<<6) & 0x0040)
        | ((crc[5]<<5) & 0x0020)
        | ((crc[4]<<4) & 0x0010)
        | ((crc[3]<<3) & 0x0008)
        | ((crc[2]<<2) & 0x0004)
        | ((crc[1]<<1) & 0x0002)
        | ((crc[0]<<0) & 0x0001);
    printf(" intermediate res is 0x%.02X\n",result);

    fprintf(fol,"intermediate res is 0x%.02X\n",result);
    if (k == 0) {
        printf("loop %d:res is 0x%.02X\n",n,result);
    }

}

}

fprintf(fol,"-----\n");
printf("Final CRC value = 0x%.02X\n",result);
fprintf(fol,"CRC value = 0x%.02X\n",result);
```

# FUNCTIONALITY

## GPIO FUNCTIONALITY

The AD7761 has additional GPIO functionality when operated in SPI control mode. This fully configurable mode allows the device to operate five GPIOs. The GPIOx pins can be set as inputs or outputs (read or write) on a per pin basis.

In write mode, these GPIO pins can be used to control other circuits such as switches, multiplexers, and buffers, over the same SPI interface as the AD7761. Sharing the SPI interface in this way allows the user to use a lower overall number of data lines from the controller compared to a system where multiple control signals are required. This sharing is especially useful in systems where reducing the number of control lines across an isolation barrier is important. See Figure 82 for details of the GPIOx pin options available on the AD7761.

Similarly, a GPIO read is a useful feature because it allows a peripheral device to send information to the input GPIO and then this information can be read from the SPI interface of the AD7761.

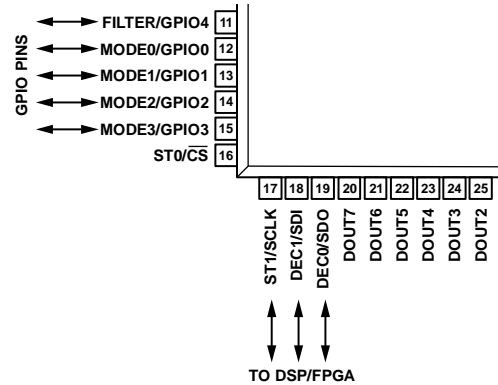


Figure 82. GPIO Functionality

Configuration control and readback of the GPIOx pins are set in Register 0x0E, Register 0x0F, and Register 0x10 (see Table 45, Table 46, and Table 47 for more information).

14285-089

## REGISTER MAP DETAILS (SPI CONTROL)

## REGISTER MAP

Table 33. Detailed Register Map

Reg.	Name	Bit 7	Bit 6	Bit 5	Bit 4	Bit 3	Bit 2	Bit 1	Bit 0	Reset	RW	
0x00	Channel Standby	CH_7	CH_6	CH_5	CH_4	CH_3	CH_2	CH_1	CH_0	0x00	RW	
0x01	Channel Mode A	Unused				FILTER_TYPE_A	DEC_RATE_A				0x0D	RW
0x02	Channel Mode B	Unused				FILTER_TYPE_B	DEC_RATE_B				0x0D	RW
0x03	Channel Mode Select	CH_7_MODE	CH_6_MODE	CH_5_MODE	CH_4_MODE	CH_3_MODE	CH_2_MODE	CH_1_MODE	CH_0_MODE	0x00	RW	
0x04	POWER_MODE	SLEEP_MODE	Unused	POWER_MODE		LVDS_ENABLE	Unused	MCLK_DIV		0x00	RW	
0x05	General Configuration	Unused	CLK_QUAL_DIS	RETIME_EN	VCM_PD	Reserved	Unused	VCM_VSEL		0x08	RW	
0x06	Data Control	SPI_SYNC	Unused		SINGLE_SHOT_EN	Unused		SPI_RESET		0x80	RW	
0x07	Interface Configuration	Unused				CRC_SELECT		DCLK_DIV		0x0	RW	
0x08	BIST Control	Unused							RAM_BIST_START	0x0	RW	
0x09	Device Status	Unused				CHIP_ERROR	NO_CLOCK_ERROR	RAM_BIST_PASS	RAM_BIST_RUNNING	0x0	R	
0x0A	Revision ID	REVISION_ID								0x06	R	
0x0B	Reserved	Reserved								0x00	R	
0x0C	Reserved	Reserved								0x00	R	
0x0D	Reserved	Reserved								0x00	R	
0x0E	GPIO Control	UGPIO_ENABLE	Unused		GPIOE4_FILTER	GPIOE3_MODE3	GPIOE2_MODE2	GPIOE1_MODE1	GPIO0_MODE0	0x00	RW	
0x0F	GPIO Write Data	Unused			GPIO4_WRITE	GPIO3_WRITE	GPIO2_WRITE	GPIO1_WRITE	GPIO0_WRITE	0x00	RW	
0x10	GPIO Read Data	Unused			GPIO4_READ	GPIO3_READ	GPIO2_READ	GPIO1_READ	GPIO0_READ	0x00	R	
0x11	Precharge Buffer 1	CH3_PREBUF_NEG_EN	CH3_PREBUF_POS_EN	CH2_PREBUF_NEG_EN	CH2_PREBUF_POS_EN	CH1_PREBUF_NEG_EN	CH1_PREBUF_POS_EN	CH0_PREBUF_NEG_EN	CH0_PREBUF_POS_EN	0xFF	RW	
0x12	Precharge Buffer 2	CH7_PREBUF_NEG_EN	CH7_PREBUF_POS_EN	CH6_PREBUF_NEG_EN	CH6_PREBUF_POS_EN	CH5_PREBUF_NEG_EN	CH5_PREBUF_POS_EN	CH4_PREBUF_NEG_EN	CH4_PREBUF_POS_EN	0xFF	RW	
0x13	Positive Reference Precharge Buffer	CH7_REFP_BUF	CH6_REFP_BUF	CH5_REFP_BUF	CH4_REFP_BUF	CH3_REFP_BUF	CH2_REFP_BUF	CH1_REFP_BUF	CH0_REFP_BUF	0x00	RW	
0x14	Negative Reference Precharge Buffer	CH7_REFN_BUF	CH6_REFN_BUF	CH5_REFN_BUF	CH4_REFN_BUF	CH3_REFN_BUF	CH2_REFN_BUF	CH1_REFN_BUF	CH0_REFN_BUF	0x00	RW	
0x1E	Channel 0 Offset	CH0_OFFSET_MSB								0x00	RW	
0x1F		CH0_OFFSET_MID										
0x20		CH0_OFFSET_LSB										
0x21	Channel 1 Offset	CH1_OFFSET_MSB								0x00	RW	
0x22		CH1_OFFSET_MID										
0x23		CH1_OFFSET_LSB										
0x24	Channel 2 Offset	CH2_OFFSET_MSB								0x00	RW	
0x25		CH2_OFFSET_MID										
0x26		CH2_OFFSET_LSB										
0x27	Channel 3 Offset	CH3_OFFSET_MSB								0x00	RW	
0x28		CH3_OFFSET_MID										
0x29		CH3_OFFSET_LSB										
0x2A	Channel 4 Offset	CH4_OFFSET_MSB								0x00	RW	
0x2B		CH4_OFFSET_MID										
0x2C		CH4_OFFSET_LSB										
0x2D	Channel 5 Offset	CH5_OFFSET_MSB								0x00	RW	
0x2E		CH5_OFFSET_MID										
0x2F		CH5_OFFSET_LSB										
0x30	Channel 6 Offset	CH6_OFFSET_MSB								0x00	RW	
0x31		CH6_OFFSET_MID										
0x32		CH6_OFFSET_LSB										
0x33	Channel 7 Offset	CH7_OFFSET_MSB								0x00	RW	
0x34		CH7_OFFSET_MID										
0x35		CH7_OFFSET_LSB										
0x36	Channel 0 Gain	CH0_GAIN_MSB								0xFF	RW	
0x37		CH0_GAIN_MID										
0x38		CH0_GAIN_LSB										

Reg.	Name	Bit 7	Bit 6	Bit 5	Bit 4	Bit 3	Bit 2	Bit 1	Bit 0	Reset	RW	
0x39	Channel 1 Gain	CH1_GAIN_MSB									0xXX	RW
0x3A		CH1_GAIN_MID										
0x3B		CH1_GAIN_LSB										
0x3C	Channel 2 Gain	CH2_GAIN_MSB									0xXX	RW
0x3D		CH2_GAIN_MID										
0x3E		CH2_GAIN_LSB										
0x3F	Channel 3 Gain	CH3_GAIN_MSB									0xXX	RW
0x40		CH3_GAIN_MID										
0x41		CH3_GAIN_LSB										
0x42	Channel 4 Gain	CH4_GAIN_MSB									0xXX	RW
0x43		CH4_GAIN_MID										
0x44		CH4_GAIN_LSB										
0x45	Channel 5 Gain	CH5_GAIN_MSB									0xXX	RW
0x46		CH5_GAIN_MID										
0x47		CH5_GAIN_LSB										
0x48	Channel 6 Gain	CH6_GAIN_MSB									0xXX	RW
0x49		CH6_GAIN_MID										
0x4A		CH6_GAIN_LSB										
0x4B	Channel 7 Gain	CH7_GAIN_MSB									0xXX	RW
0x4C		CH7_GAIN_MID										
0x4D		CH7_GAIN_LSB										
0x4E	Channel 0 Sync Offset	CH0_SYNC_OFFSET								0x00	RW	
0x4F	Channel 1 Sync Offset	CH1_SYNC_OFFSET								0x00	RW	
0x50	Channel 2 Sync Offset	CH2_SYNC_OFFSET								0x00	RW	
0x51	Channel 3 Sync Offset	CH3_SYNC_OFFSET								0x00	RW	
0x52	Channel 4 Sync Offset	CH4_SYNC_OFFSET								0x00	RW	
0x53	Channel 5 Sync Offset	CH5_SYNC_OFFSET								0x00	RW	
0x54	Channel 6 Sync Offset	CH6_SYNC_OFFSET								0x00	RW	
0x55	Channel 7 Sync Offset	CH7_SYNC_OFFSET								0x00	RW	
0x56	Diagnostic Rx	CH7_RX	CH6_RX	CH5_RX	CH4_RX	CH3_RX	CH2_RX	CH1_RX	CH0_RX	0x00	RW	
0x57	Diagnostic Mux Control	Unused	GRPB_SEL			Unused	GRPA_SEL			0x00	RW	
0x58	Modulator Delay Control	Unused				CLK_MOD_DEL_EN		Reserved			0x02	RW
0x59	Chop Control	Unused				GRPA_CHOP		GRPB_CHOP			0x0A	RW

**CHANNEL STANDBY REGISTER****Address: 0x00, Reset: 0x00, Name: Channel Standby**

Each of the ADC channels can be put into standby mode independently by setting the appropriate bit in the channel standby register. When a channel is in standby mode, its position in the data output stream is held. The 8-bit header is all zeros, as is the conversion result output of 16 zeros.

The VCM voltage output is associated with the Channel 0 circuitry. If Channel 0 is put into standby mode, the VCM voltage output is also disabled for maximum power savings. Channel 0 must be enabled while VCM is being used externally to the AD7761.

The crystal excitation circuitry is associated with the Channel 4 circuitry. If Channel 4 is put into standby mode, the crystal circuitry is also disabled for maximum power savings. Channel 4 must be enabled while the external crystal is used on the AD7761.

**Table 34. Bit Descriptions for Channel Standby**

Bits	Bit Name	Settings	Description	Reset	Access
7	CH_7	0 1	Channel 7 Enabled Standby	0x0	RW
6	CH_6	0 1	Channel 6 Enabled Standby	0x0	RW
5	CH_5	0 1	Channel 5 Enabled Standby	0x0	RW
4	CH_4	0 1	Channel 4 Enabled Standby	0x0	RW
3	CH_3	0 1	Channel 3 Enabled Standby	0x0	RW
2	CH_2	0 1	Channel 2 Enabled Standby	0x0	RW
1	CH_1	0 1	Channel 1 Enabled Standby	0x0	RW
0	CH_0	0 1	Channel 0 Enabled Standby	0x0	RW

**CHANNEL MODE A REGISTER**

Address: 0x01, Reset: 0x0D, Name: Channel Mode A

Two mode options are available on the AD7761 ADCs. The channel modes are defined by the contents of the Channel Mode A and Channel Mode B registers. Each mode is then mapped as desired to the required ADC channel. Channel Mode A and Channel Mode B allow different filter types and decimation rates to be selected and mapped to any of the ADC channels.

When different decimation rates are selected, the AD7761 outputs a data ready signal at the fastest selected decimation rate. Any channel that runs at a lower output data rate is updated only at that slower rate. In between valid result data, the data for that channel is set to zero and the repeated data bit is set in the header status bits to distinguish it from a real conversion result (see the ADC Conversion Output: Header and Data section).

Table 35. Bit Descriptions for Channel Mode A

Bits	Bit Name	Settings	Description	Reset	Access
3	FILTER_TYPE_A	0 1	Filter selection Wideband filter Sinc5 filter	0x1	RW
[2:0]	DEC_RATE_A	000 001 010 011 100 101 110 111	Decimation rate selection ×32 ×64 ×128 ×256 ×512 ×1024 ×1024 ×1024	0x5	RW

**CHANNEL MODE B REGISTER**

Address: 0x02, Reset: 0x0D, Name: Channel Mode B

Table 36. Bit Descriptions for Channel Mode B

Bits	Bit Name	Settings	Description	Reset	Access
3	FILTER_TYPE_B	0 1	Filter selection Wideband filter Sinc5 filter	0x1	RW
[2:0]	DEC_RATE_B	000 001 010 011 100 101 110 111	Decimation rate selection ×32 ×64 ×128 ×256 ×512 ×1024 ×1024 ×1024	0x5	RW

**CHANNEL MODE SELECT REGISTER**

Address: 0x03, Reset: 0x00, Name: Channel Mode Select

This register selects the mapping of each ADC channel to either Channel Mode A or Channel Mode B.

Table 37. Bit Descriptions for Channel Mode Select

Bits	Bit Name	Settings	Description	Reset	Access
7	CH_7_MODE	0 1	Channel 7 Mode A Mode B	0x0	RW
6	CH_6_MODE	0 1	Channel 6 Mode A Mode B	0x0	RW
5	CH_5_MODE	0 1	Channel 5 Mode A Mode B	0x0	RW
4	CH_4_MODE	0 1	Channel 4 Mode A Mode B	0x0	RW
3	CH_3_MODE	0 1	Channel 3 Mode A Mode B	0x0	RW
2	CH_2_MODE	0 1	Channel 2 Mode A Mode B	0x0	RW
1	CH_1_MODE	0 1	Channel 1 Mode A Mode B	0x0	RW
0	CH_0_MODE	0 1	Channel 0 Mode A Mode B	0x0	RW

**POWER MODE SELECT REGISTER**

Address: 0x04, Reset: 0x00, Name: POWER\_MODE

Table 38. Bit Descriptions for POWER\_MODE

Bits	Bit Name	Settings	Description	Reset	Access
7	SLEEP_MODE	0 1	In sleep mode, many of the digital clocks are disabled and all of the ADCs are disabled. The analog LDOs are not disabled. The AD7761 SPI is live and is available to the user. Writing to this bit brings the AD7761 out of sleep mode again. Normal operation. Sleep mode.	0x0	RW
[5:4]	POWER_MODE	00 10 11	Power mode. The power mode bits control the power mode setting for the bias currents used on all ADCs on the AD7761. The user can select the current consumption target to meet the application. The power modes of fast, median, and low power give optimum performance when mapped to the correct MCLK division setting. These power mode bits do not control the MCLK division of the ADCs. See the MCLK_DIV bits for control of the division of the MCLK input. Low power. Median. Fast.	0x0	RW
3	LVDS_ENABLE	0 1	LVDS clock. LVDS input clock disabled. LVDS input clock enabled.	0x0	RW



Bits	Bit Name	Settings	Description	Reset	Access
[1:0]	MCLK_DIV		MCLK division. The MCLK division bits control the divided ratio between the MCLK applied at the input to the AD7761 and the clock used by each of the ADC modulators. The appropriate division ratio depends on the following factors: power mode, decimation rate, and the base MCLK available in the system. See the Clocking, Sampling Tree, and Power Scaling section for more information on setting MCLK_DIV correctly.	0x0	RW
		00	MCLK/32: with a base MCLK of 32.768 MHz, set to MCLK/32 for low power mode.		
		10	MCLK/8: with a base MCLK of 32.768 MHz, set to MCLK/8 for median mode.		
		11	MCLK/4: with a base MCLK of 32.768 MHz, set to MCLK/4 for fast mode.		

## GENERAL DEVICE CONFIGURATION REGISTER

Address: 0x05, Reset: 0x08, Name: General Configuration

Table 39. Bit Descriptions for General Configuration

Bits	Bit Name	Settings	Description	Reset	Access
6	CLK_QUAL_DIS		Clock qualification disable bit. Allows the user to disable the external clock source qualification. Following a reset, the frequency of the externally applied MCLK is checked. It is accepted as valid if it is greater than approximately 1.15 MHz. The AD7761 then hands control over to the external clock source. If this qualification check fails, the NO_CLOCK_ERROR bit is set and the AD7761 continues to run using the internal startup clock.  Users can disable this qualification check to force the AD7761 to accept and pass control to an external clock source with a lower frequency.	0x0	RW
		0	Enabled. Clock qualification check is performed.		
		1	Disabled. Clock qualification check is not performed.		
5	RETIME_EN		SYNC_OUT signal retime enable bit.	0x0	RW
		0	Disabled: normal timing of SYNC_OUT.		
		1	Enabled: SYNC_OUT signal derived from alternate MCLK edge.		
4	VCM_PD		VCM buffer power-down.	0x0	RW
		0	Enabled: VCM buffer normal mode.		
		1	Powered down: VCM buffer powered down.		
[1:0]	VCM_VSEL		VCM voltage. These bits select the output voltage of the VCM pin. This voltage is derived from the AVDD1 supply and can be output as half of that AVDD1 voltage, or other fixed voltages, with respect to AVSS. The VCM voltage output is associated with the Channel 0 circuitry. If Channel 0 is put into standby mode, the VCM voltage output is also disabled for maximum power savings. Channel 0 must be enabled while VCM is being used externally to the AD7761.	0x0	RW
		00	(AVDD1 – AVSS)/2 V.		
		01	1.65 V.		
		10	2.5 V.		
		11	2.14 V.		

**DATA CONTROL: SOFT RESET, SYNC, AND SINGLE-SHOT CONTROL REGISTER**

Address: 0x06, Reset: 0x80, Name: Data Control

Table 40. Bit Descriptions for Data Control

Bits	Bit Name	Settings	Description	Reset	Access
7	SPI_SYNC	0 1	Software synchronization of the AD7761. This command has the same effect as sending a signal pulse to the $\overline{\text{START}}$ pin. To operate the SPI_SYNC, the user must write to this bit two separate times. First, write a zero, putting SPI_SYNC low, and then write a 1 to set SPI_SYNC logic high again. The SPI_SYNC command is recognized after the last rising edge of SCLK in the SPI instruction where the SPI_SYNC bit is changed from low to high. The SPI_SYNC command is then output synchronous to the AD7761 MCLK on the SYNC_OUT pin. The user must connect the SYNC_OUT signal to the SYNC_IN pin on the PCB. The SYNC_OUT pin can also be routed to the SYNC_IN pins of other AD7761 devices, allowing larger channel count simultaneous sampling systems. As per any synchronization pulse seen by the SYNC_IN pin, the digital filters of the AD7761 are reset. The full settling time of the filters must elapse before data is output on the data interface. In a daisy-chained system of AD7761 devices, two successive synchronization pulses must be applied to guarantee that all ADCs are synchronized. Two synchronization pulses are also required in a system of more than one AD7761 device sharing a single MCLK signal, where the DRDY pin of only one device is used to detect new data. 0 Change to SPI_SYNC low. 1 Change to SPI_SYNC high.	0x1	RW
4	SINGLE_SHOT_EN	0 1	One-shot mode. Enables one-shot mode. In one-shot mode, the AD7761 outputs a conversion result in response to a SYNC_IN rising edge. 0 Disabled. 1 Enabled.	0x0	RW
[1:0]	SPI_RESET	00 01 10 11	Soft reset. These bits allow a full device reset over the SPI port. Two successive commands must be received in the correct order to generate a reset: first, write 0x03 to the soft reset bits, and then write 0x02 to the soft reset bits. This sequence causes the digital core to reset and all registers return to their default values. Following a soft reset, if the SPI master sends a command to the AD7761, the device responds on the next frame to that command with an output of 0x0E00. 00 No effect. 01 No effect. 10 Second reset command. 11 First reset command.	0x0	RW

**INTERFACE CONFIGURATION REGISTER**

Address: 0x07, Reset: 0x0, Name: Interface Configuration

Table 41. Bit Descriptions for Interface Configuration

Bits	Bit Name	Settings	Description	Reset	Access
[3:2]	CRC_SELECT	00 01 10 11	CRC select. These bits allow the user to implement a CRC on the data interface. When selected, the CRC replaces the header every fourth or 16 <sup>th</sup> output sample depending on the CRC option chosen. There are two options for the CRC; both use the same polynomial: $x^3 + x^2 + x + 1$ . The options offer the user the ability to reduce the duty cycle of the CRC calculation by performing it less often: in the case of having it every 16 <sup>th</sup> sample, or more often in the case of every fourth conversion. The CRC is calculated on a per channel basis and it includes conversion data only. 00 No CRC. Status bits with every conversion. 01 Replace the header with CRC message every 4 samples. 10 Replace the header with CRC message every 16 samples. 11 Replace the header with CRC message every 16 samples.	0x0	RW

Bits	Bit Name	Settings	Description	Reset	Access
[1:0]	DCLK_DIV		DCLK divider. These bits control division of the DCLK clock used to clock out conversion data on the DOUTx pins. The DCLK signal is derived from the MCLK signal applied to the AD7761. The DCLK divide mode allows the user to optimize the DCLK output to fit the application. Optimizing the DCLK signal per application depends on the requirements of the user. When the AD7761 uses the highest capacity output on the fewest DOUTx pins, for example, running in decimate by 32 using the DOUT0 and DOUT1 pins, the DCLK signal must equal the MCLK signal; thus, in this case, choosing the no division setting is the only way the user can output all the data within the conversion period. There are other cases, however, when the ADC may be running in fast mode with high decimation rates, or in median or low power mode where the DCLK signal does not need to run at the same speed as MCLK. In these cases, the DCLK divide allows the user to reduce the clock speed and makes routing and isolating such signals easier.	0x0	RW
		00	Divide by 8.		
		01	Divide by 4.		
		10	Divide by 2.		
		11	No division.		

### DIGITAL FILTER RAM BUILT IN SELF TEST (BIST) REGISTER

Address: 0x08, Reset: 0x0, Name: BIST Control

Table 42. Bit Descriptions for BIST Control

Bits	Bit Name	Settings	Description	Reset	Access
0	RAM_BIST_START		RAM BIST. Filter RAM BIST is a built in self test of the internal RAM. Normal ADC conversion is disrupted when this test is run. A synchronization pulse is required after this test is complete to resume normal ADC operation. The test can be run at intervals depending on user preference. The status and result of the RAM BIST is available in the device status register; see the RAM_BIST_PASS and RAM_BIST_RUNNING bits in Table 43.	0x0	RW
		0	Off.		
		1	Begin RAM BIST.		

### STATUS REGISTER

Address: 0x09, Reset: 0x0, Name: Device Status

Table 43. Bit Descriptions for Device Status

Bits	Bit Name	Settings	Description	Reset	Access
3	CHIP_ERROR		Chip error. Chip error is a global error flag that is output within the status byte of each ADC conversion output. The following bits lead to the chip error bit being set to logic high: CRC check on internally hard coded settings (after power-up) does not pass; XOR check on the internal memory does not pass (this check runs continuously in the background); and clock error is detected on power-up.	0x0	R
		0	No error present.		
		1	Error has occurred.		
2	NO_CLOCK_ERROR		External clock check. This bit indicates whether the externally applied MCLK is detected correctly. If the MCLK is not applied correctly to the ADC at power-up, this bit is set and the DCLK frequency is approximately 16 MHz. If this bit is set, the chip error bit is set to logic high in the status bits of the data output headers, and the conversion results are output as all zeros regardless of the analog input voltages applied to the ADC channels.	0x0	R
		0	MCLK detected.		
		1	No MCLK detected.		
1	RAM_BIST_PASS		BIST pass/fail. RAM BIST result status. This bit indicates the result of the most recent RAM BIST. The result is latched to this register and is only cleared by a device reset.	0x0	R
		0	BIST failed or not run.		
		1	BIST passed.		

Bits	Bit Name	Settings	Description	Reset	Access
0	RAM_BIST_RUNNING		BIST status. Reading back the value of this bit allows the user to poll when the BIST test has finished.	0x0	R
		0	BIST not running.		
		1	BIST running.		

## REVISION IDENTIFICATION REGISTER

Address: 0x0A, Reset: 0x06, Name: Revision ID

Table 44. Bit Descriptions for Revision ID

Bits	Bit Name	Description	Reset	Access
[7:0]	REVISION_ID	ASIC revision. 8-bit ID for revision details.	0x06	R

## GPIO CONTROL REGISTER

Address: 0x0E, Reset: 0x00, Name: GPIO Control

Table 45. Bit Descriptions for GPIO Control

Bits	Bit Name	Setting	Description	Reset	Access
7	UGPIO_ENABLE		User GPIO enable. The GPIOx pins are dual purpose and can be operated only when the device is in SPI control mode. By default, when the AD7761 is powered up in SPI control mode, the GPIOx pins are disabled. This bit is a universal enable/disable for all GPIOx input/outputs. The direction of each general-purpose pin is determined by Bits[4:0] of this register.	0x0	RW
		0	GPIO disabled.		
		1	GPIO enabled.		
4	GPIOE4_FILTER		GPIO4 direction. This bit assigns the direction of GPIO4 as either an input or an output. For SPI control, GPIO4 maps to Pin 11, which is the FILTER/GPIO4 pin.	0x0	RW
		0	Input.		
		1	Output.		
3	GPIOE3_MODE3		GPIO3 direction. This bit assigns the direction of GPIO3 as either an input or an output. For SPI control, GPIO3 maps to Pin 15, which is the MODE3/GPIO3 pin.	0x0	RW
		0	Input.		
		1	Output.		
2	GPIOE2_MODE2		GPIO2 direction. This bit assigns the direction of GPIO2 as either an input or an output. For SPI control, GPIO2 maps to Pin 14, which is the MODE2/GPIO2 pin.	0x0	RW
		0	Input.		
		1	Output.		
1	GPIOE1_MODE1		GPIO1 direction. This bit assigns the direction of GPIO1 as either an input or an output. For SPI control, GPIO1 maps to Pin 13, which is the MODE1/GPIO1 pin.	0x0	RW
		0	Input.		
		1	Output.		
0	GPIOE0_MODE0		GPIO0 direction. This bit assigns the direction of GPIO0 as either an input or an output. For SPI control, GPIO0 maps to Pin 12, which is the MODE0/GPIO0 pin.	0x0	RW
		0	Input.		
		1	Output.		

**GPIO WRITE DATA REGISTER****Address: 0x0F, Reset: 0x00, Name: GPIO Write Data**

This register writes the values to be set on each of the general-purpose pins when selected as general-purpose outputs. Each bit, from Bits[4:0], maps directly to the GPIOx pins.

**Table 46. Bit Descriptions for GPIO Write Data**

Bits	Bit Name	Description	Reset	Access
4	GPIO4_WRITE	FILTER/GPIO4	0x0	RW
3	GPIO3_WRITE	MODE3/GPIO3	0x0	RW
2	GPIO2_WRITE	MODE2/GPIO2	0x0	RW
1	GPIO1_WRITE	MODE1/GPIO1	0x0	RW
0	GPIO0_WRITE	MODE0/GPIO0	0x0	RW

**GPIO READ DATA REGISTER****Address: 0x10, Reset: 0x00, Name: GPIO Read Data**

This register reads back the value of the logic input level at the general-purpose pins when selected to operate as general-purpose inputs. Each bit, from Bits[4:0], maps directly to the GPIO0 to GPIO4 pins.

**Table 47. Bit Descriptions for GPIO Read Data**

Bits	Bit Name	Description	Reset	Access
4	GPIO4_READ	FILTER/GPIO4	0x0	R
3	GPIO3_READ	MODE3/GPIO3	0x0	R
2	GPIO2_READ	MODE2/GPIO2	0x0	R
1	GPIO1_READ	MODE1/GPIO1	0x0	R
0	GPIO0_READ	MODE0/GPIO0	0x00	R

**ANALOG INPUT PRECHARGE BUFFER ENABLE REGISTER CHANNEL 0 TO CHANNEL 3****Address: 0x11, Reset: 0xFF, Name: Precharge Buffer 1**

This register turns on or off the precharge buffers on the analog inputs. When writing to these registers, the user must write the inverse of the required bit settings. For example, to clear Bit 1 of this register, the user must write 0x01 to the register. This clears Bit 1 and sets all other bits. If the user reads the register again after writing 0x01, the data read is 0xFE, as required.

**Table 48. Bit Descriptions for Precharge Buffer 1**

Bits	Bit Name	Settings	Description	Reset
7	CH3_PREBUF_NEG_EN	0	Off	0x1
		1	On	
6	CH3_PREBUF_POS_EN	0	Off	0x1
		1	On	
5	CH2_PREBUF_NEG_EN	0	Off	0x1
		1	On	
4	CH2_PREBUF_POS_EN	0	Off	0x1
		1	On	
3	CH1_PREBUF_NEG_EN	0	Off	0x1
		1	On	
2	CH1_PREBUF_POS_EN	0	Off	0x1
		1	On	
1	CH0_PREBUF_NEG_EN	0	Off	0x1
		1	On	
0	CH0_PREBUF_POS_EN	0	Off	0x1
		1	On	

**ANALOG INPUT PRECHARGE BUFFER ENABLE REGISTER CHANNEL 4 TO CHANNEL 7**

Address: 0x12, Reset: 0xFF, Name: Precharge Buffer 2

This register turns on or off the precharge buffers on the analog inputs. When writing to these registers, the user must write the inverse of the required bit settings. For example, to clear Bit 1 of this register, the user must write 0x01 to the register. This clears Bit 1 and sets all other bits. If the user reads the register again after writing 0x01, the data read is 0xFE, as required.

**Table 49. Bit Descriptions for Precharge Buffer 2**

Bits	Bit Name	Settings	Description	Reset
7	CH7_PREBUF_NEG_EN	0	Off	0x1
		1	On	
6	CH7_PREBUF_POS_EN	0	Off	0x1
		1	On	
5	CH6_PREBUF_NEG_EN	0	Off	0x1
		1	On	
4	CH6_PREBUF_POS_EN	0	Off	0x1
		1	On	
3	CH5_PREBUF_NEG_EN	0	Off	0x1
		1	On	
2	CH5_PREBUF_POS_EN	0	Off	0x1
		1	On	
1	CH4_PREBUF_NEG_EN	0	Off	0x1
		1	On	
0	CH4_PREBUF_POS_EN	0	Off	0x1
		1	On	

**POSITIVE REFERENCE PRECHARGE BUFFER ENABLE REGISTER**

Address: 0x13, Reset: 0x00, Name: Positive Reference Precharge Buffer

This register turns on or off the precharge buffers on the reference positive input to each of the ADCs from Channel 0 to Channel 7.

**Table 50. Bit Descriptions for Positive Reference Precharge Buffer**

Bits	Bit Name	Settings	Description	Reset
7	CH7_REFP_BUF	0	Off	0x0
		1	On	
6	CH6_REFP_BUF	0	Off	0x0
		1	On	
5	CH5_REFP_BUF	0	Off	0x0
		1	On	
4	CH4_REFP_BUF	0	Off	0x0
		1	On	
3	CH3_REFP_BUF	0	Off	0x0
		1	On	
2	CH2_REFP_BUF	0	Off	0x0
		1	On	
1	CH1_REFP_BUF	0	Off	0x0
		1	On	
0	CH0_REFP_BUF	0	Off	0x0
		1	On	

**NEGATIVE REFERENCE PRECHARGE BUFFER ENABLE REGISTER**

Address: 0x14, Reset: 0x00, Name: Negative Reference Precharge Buffer

This register turns on or off the precharge buffers on the reference negative input to each of the ADCs from Channel 0 to Channel 7.

**Table 51. Bit Descriptions for Negative Reference Precharge Buffer**

Bits	Bit Name	Settings	Description	Reset
7	CH7_REFN_BUF	0	Off	0x0
		1	On	
6	CH6_REFN_BUF	0	Off	0x0
		1	On	
5	CH5_REFN_BUF	0	Off	0x0
		1	On	
4	CH4_REFN_BUF	0	Off	0x0
		1	On	
3	CH3_REFN_BUF	0	Off	0x0
		1	On	
2	CH2_REFN_BUF	0	Off	0x0
		1	On	
1	CH1_REFN_BUF	0	Off	0x0
		1	On	
0	CH0_REFN_BUF	0	Off	0x0
		1	On	

**OFFSET REGISTERS**

The CH<sub>x</sub>\_OFFSET\_MSB, CH<sub>x</sub>\_OFFSET\_MID, and CH<sub>x</sub>\_OFFSET\_LSB registers are 24 bit, signed twos complement registers for channel offset adjustment. If the channel gain setting is at its ideal nominal value of 0x555555, an LSB of offset register adjustment changes the digital output by  $-1/192$  LSBs. For example, changing the offset register from 0 to 4800 changes the digital output by  $-25$  LSBs. Because offset adjustment occurs before gain adjustment, the ratio of  $1/192$  changes linearly with gain adjustment via the CH<sub>x</sub>\_GAIN<sub>x</sub> registers. After a reset or power cycle, the register values revert to the default factory setting.

**Table 52. Per Channel 24-Bit Offset Registers, Three 8-Bit Registers for Each Channel, Split Up as MSB, Mid, and LSB**

Address			Name	Description	Reset			Access
MSB	Mid	LSB			MSB	Mid	LSB	
0x1E	0x1F	0x20	Channel 0 offset	Channel 0 offset registers: upper, middle, and lower bytes (24 bits in total)	0x00	0x00	0x00	RW
0x21	0x22	0x23	Channel 1 offset	Channel 1 offset registers: upper, middle, and lower bytes (24 bits in total)	0x00	0x00	0x00	RW
0x24	0x25	0x26	Channel 2 offset	Channel 2 offset registers: upper, middle, and lower bytes (24 bits in total)	0x00	0x00	0x00	RW
0x27	0x28	0x29	Channel 3 offset	Channel 3 offset registers: upper, middle, and lower bytes (24 bits in total)	0x00	0x00	0x00	RW
0x2A	0x2B	0x2C	Channel 4 offset	Channel 4 offset registers: upper, middle, and lower bytes (24 bits in total)	0x00	0x00	0x00	RW
0x2D	0x2E	0x2F	Channel 5 offset	Channel 5 offset registers: upper, middle, and lower bytes (24 bits in total)	0x00	0x00	0x00	RW
0x30	0x31	0x32	Channel 6 offset	Channel 6 offset registers: upper, middle, and lower bytes (24 bits in total)	0x00	0x00	0x00	RW
0x33	0x34	0x35	Channel 7 offset	Channel 7 offset registers: upper, middle, and lower bytes (24 bits in total)	0x00	0x00	0x00	RW

## GAIN REGISTERS

Each ADC channel has an associated gain coefficient. The coefficient is stored in three single-byte registers split up as MSB, MID, and LSB. Each of the gain registers are factory programmed. Nominally, this gain is around the value 0x555555 (for an ADC channel). The user can overwrite the gain register setting; however, after a reset or power cycle, the gain register values revert to the hard coded programmed factory setting.

**Table 53. Per Channel 24-Bit Gain Registers, Three 8-Bit Registers for Each Channel, Split Up as MSB, Mid, and LSB**

Address			Name	Description	Reset			Access
MSB	Mid	LSB			MSB	Mid	LSB	
0x36	0x37	0x38	Channel 0 gain	Channel 0 gain registers: upper, middle, and lower bytes (24 bits in total)	0xXX	0xXX	0xXX	RW
0x39	0x3A	0x3B	Channel 1 gain	Channel 1 gain registers: upper, middle, and lower bytes (24 bits in total)	0xXX	0xXX	0xXX	RW
0x3C	0x3D	0x3E	Channel 2 gain	Channel 2 gain registers: upper, middle, and lower bytes (24 bits in total)	0xXX	0xXX	0xXX	RW
0x3F	0x40	0x41	Channel 3 gain	Channel 3 gain registers: upper, middle, and lower bytes (24 bits in total)	0xXX	0xXX	0xXX	RW
0x42	0x43	0x44	Channel 4 gain	Channel 4 gain registers: upper, middle, and lower bytes (24 bits in total)	0xXX	0xXX	0xXX	RW
0x45	0x46	0x47	Channel 5 gain	Channel 5 gain registers: upper, middle, and lower bytes (24 bits in total)	0xXX	0xXX	0xXX	RW
0x48	0x49	0x4A	Channel 6 gain	Channel 6 gain registers: upper, middle, and lower bytes (24 bits in total)	0xXX	0xXX	0xXX	RW
0x4B	0x4C	0x4D	Channel 7 gain	Channel 7 gain registers: upper, middle, and lower bytes (24 bits in total)	0xXX	0xXX	0xXX	RW

## SYNC PHASE OFFSET REGISTERS

The AD7761 has one synchronization signal for all channels. The sync phase offset register allows the user to vary the phase delay on each of the channels relative to the synchronization edge received on the SYNC\_IN pin. See the Sync Phase Offset Adjustment section for details on the use of this function.

**Table 54. Per Channel 8-Bit Sync Phase Offset Registers**

Address	Name	Description	Reset	Access
0x4E	Channel 0 sync offset	Channel 0 sync phase offset register	0x00	RW
0x4F	Channel 1 sync offset	Channel 1 sync phase offset register	0x00	RW
0x50	Channel 2 sync offset	Channel 2 sync phase offset register	0x00	RW
0x51	Channel 3 sync offset	Channel 3 sync phase offset register	0x00	RW
0x52	Channel 4 sync offset	Channel 4 sync phase offset register	0x00	RW
0x53	Channel 5 sync offset	Channel 5 sync phase offset register	0x00	RW
0x54	Channel 6 sync offset	Channel 6 sync phase offset register	0x00	RW
0x55	Channel 7 sync offset	Channel 7 sync phase offset register	0x00	RW

## ADC DIAGNOSTIC RECEIVE SELECT REGISTER

**Address: 0x56, Reset: 0x00, Name: Diagnostic Rx**

The AD7761 ADC diagnostic allows the user to select a zero-scale, positive full-scale, or negative full-scale input to the ADC, which can be converted to verify the correct operation of the ADC channel. This register enables the diagnostic. Enable the receive (Rx) for each channel and set each bit in this register to 1.

The ADC diagnostic feature depends on some features of the analog input precharge buffers. The user must ensure that the analog input precharge buffers are enabled on the channels that are selected to receive the diagnostic voltages internally.

**Table 55. Bit Descriptions for Diagnostic Rx**

Bits	Bit Name	Settings	Description	Reset	Access
7	CH7_RX		Channel 7	0x0	RW
		0	Not in use		
6	CH6_RX	1	Receive	0x0	RW
		0	Not in use		
		1	Receive		



Bits	Bit Name	Settings	Description	Reset	Access
5	CH5_RX		Channel 5	0x0	RW
		0	Not in use		
4	CH4_RX		Channel 4	0x0	RW
		0	Not in use		
3	CH3_RX		Channel 3	0x0	RW
		0	Not in use		
2	CH2_RX		Channel 2	0x0	RW
		0	Not in use		
1	CH1_RX		Channel 1	0x0	RW
		0	Not in use		
0	CH0_RX		Channel 0	0x0	RW
		0	Not in use		
			1		
			1		

### ADC DIAGNOSTIC CONTROL REGISTER

Address: 0x57, Reset: 0x00, Name: Diagnostic Mux Control

The AD7761 ADC diagnostic allows the user to select a zero-scale, positive full-scale, or negative full-scale input to the ADC, which can be converted to verify the correct operation of the ADC channel. This register controls the voltage that is applied to each of the ADC channels for the diagnostic. There are three input voltage options that the user can select. The voltage selected is mapped to the channels based on the mode (Channel Mode A or Channel Mode B) they belong to, which is set according to the channel mode select register (Register 0x03).

Set Bits[7:0] to 1 in the ADC diagnostic receive select register, then select the voltage check desired for the channels on Channel Mode A and the channels on Channel Mode B through Bits[2:0] and Bits[6:4], respectively.

Table 56. Bit Descriptions for Diagnostic Mux Control

Bits	Bit Name	Settings	Description	Reset	Access
[6:4]	GRPB_SEL		Mux B.	0x0	RW
		000	Off.		
		011	Positive full-scale ADC check. A voltage close to positive full scale is applied internally to the ADC channel.		
		100	Negative full-scale ADC check. A voltage close to negative (or minus) full scale is applied internally to the ADC channel.		
		101	Zero-scale ADC check. A voltage close to 0 V is applied internally to the ADC channel.		
[2:0]	GRPA_SEL		Mux A.	0x0	RW
		000	Off.		
		011	Positive full-scale ADC check. A voltage close to positive full scale is applied internally to the ADC channel.		
		100	Negative full-scale ADC check. A voltage close to negative (or minus) full scale is applied internally to the ADC channel.		
		101	Zero-scale ADC check. A voltage close to 0 V is applied internally to the ADC channel.		

**MODULATOR DELAY CONTROL REGISTER**

Address: 0x58, Reset: 0x02, Name: Modulator Delay Control

Table 57. Bit Descriptions for Modulator Delay Control

Bits	Bit Name	Settings	Description	Reset	Access
[3:2]	CLK_MOD_DEL_EN		Enable delayed modulator clock.	0x0	RW
		00	Disabled delayed clock for all channels.		
		01	Enable delayed clock for Channel 0 to Channel 3 only on the AD7761.		
		10	Enable delayed clock for Channel 4 to Channel 7 only on the AD7761.		
		11	Enable delayed clock for all channels.		
[1:0]	Reserved	10	Not a user option. Must be set to 0x2.	0x2	RW

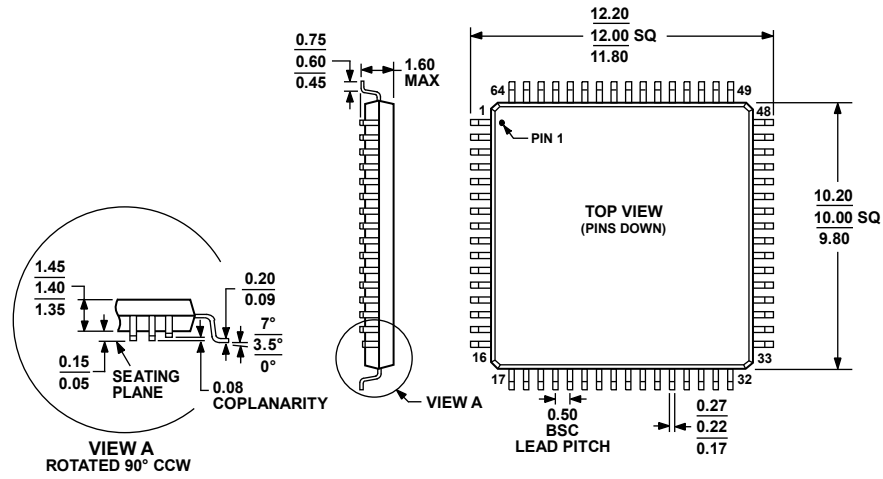
**CHOPPING CONTROL REGISTER**

Address: 0x59, Reset: 0x0A, Name: Chop Control

Table 58. Bit Descriptions for Chop Control

Bits	Bit Name	Settings	Description	Reset	Access
[3:2]	GRPA_CHOP		Group A chopping	0x2	RW
		01	Chop at $f_{MOD}/8$		
		10	Chop at $f_{MOD}/32$		
[1:0]	GRPB_CHOP		Group B chopping	0x2	RW
		01	Chop at $f_{MOD}/8$		
		10	Chop at $f_{MOD}/32$		

# OUTLINE DIMENSIONS



COMPLIANT TO JEDEC STANDARDS MS-026-BCD  
 Figure 83. 64-Lead Low Profile Quad Flat Package [LQFP]  
 (ST-64-2)  
 Dimensions shown in millimeters

051706-A

## ORDERING GUIDE

Model <sup>1</sup>	Temperature Range	Package Description	Package Option
AD7761BSTZ	-40°C to +105°C	64-Lead Low Profile Quad Flat Package [LQFP]	ST-64-2
AD7761BSTZ-RL7	-40°C to +105°C	64-Lead Low Profile Quad Flat Package [LQFP]	ST-64-2
EVAL-AD7761FMCZ		Evaluation Board	
EVAL-SDP-CH1Z		Controller Board	

<sup>1</sup> Z = RoHS Compliant Part.