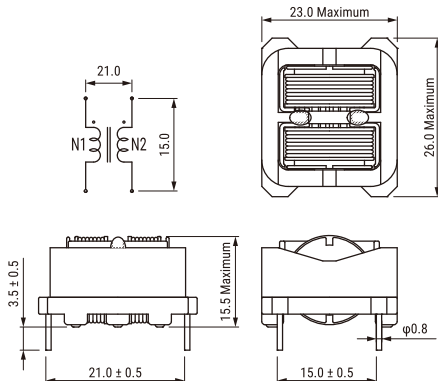


KEMET Part Number: SSHB21H-06400
(UALSB206400000)

KEMET, SSHB21H, AC Line Filters, Dual Mode, 0.04 H



Dimensions

L	26mm MAX
T	23mm MAX
H	15.5mm MAX
LL	3.5mm +/-0.5mm
S	21mm +/-0.5mm

Packaging Specifications

Packaging:	Tray
Packaging Quantity:	360
Weight:	14 g

General Information

Series:	SSHB21H
Style:	Through-Hole
RoHS:	Yes
Notes:	Marking: 06 Lot No.
Miscellaneous:	Temperature Rise Maximum: 60 K

Specifications

Voltage AC:	250 VAC
Inductance:	40 mH (10 kHz)
Current:	600 mA
Temperature Range:	-25/+130°C
DC Resistance:	1.5 Ohms