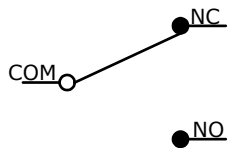


P.C. MOUNTING

▲	O.P. (MM)	P.T. (MM)
⬠	6.8 ± 0.1	1.8 MAX.

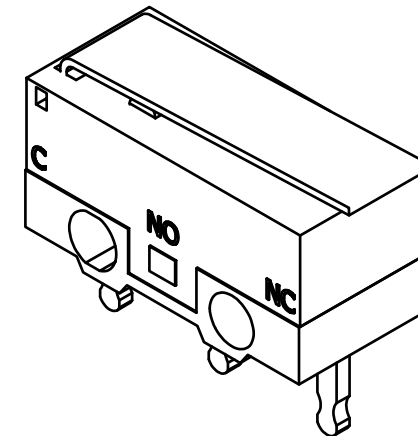
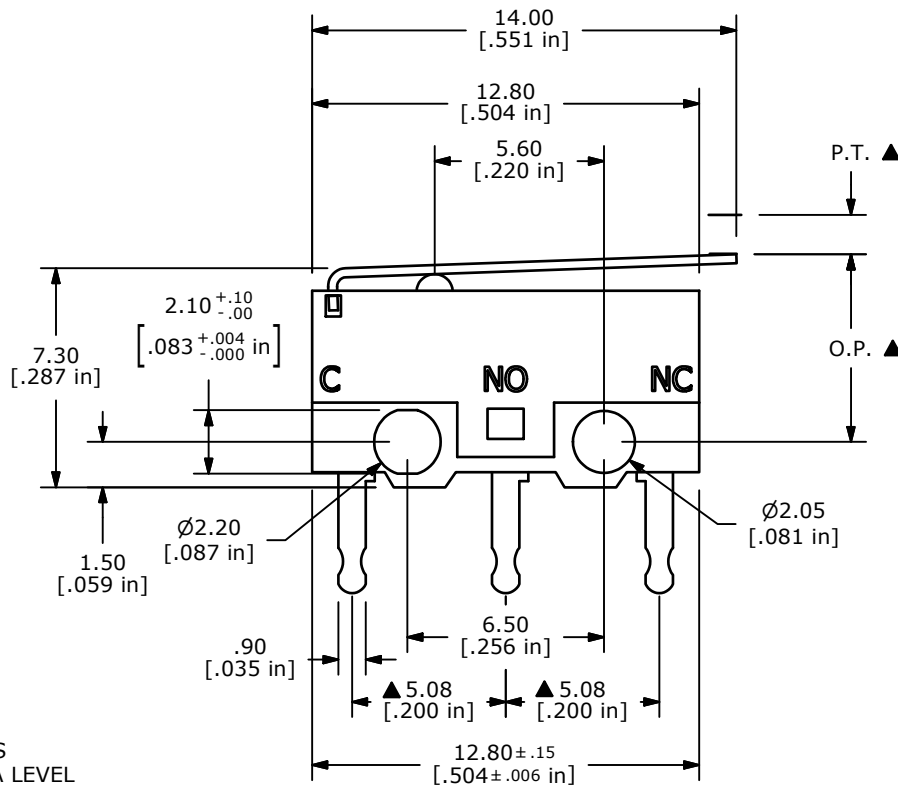
O.P. = OPERATING POINT
P.T. = PRE-TRAVEL



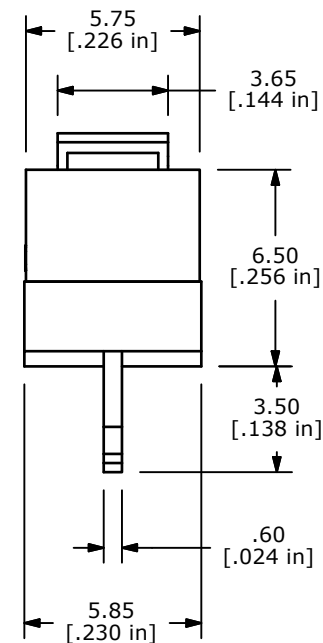
CIRCUIT: SPDT

NOTES:

1. ALL DIMENSIONS IN MM [INCH]
2. GENERAL TOLERANCE: X.X=± 0.4
X.XX=± 0.25
- ▲3. RATING: 0.1A @5V DC
- ▲4. OPERATING FORCE: 30gf
5. OPERATING TEMP: -25°C TO 85°C
6. ELECTRICAL LIFE: 10,000 CYCLES MIN.
7. MECHANICAL LIFE: 300,000 CYCLES MIN.
7. INSULATION RESISTANCE: 100 MEGA-OHMS
8. DIELECTRIC STRENGTH: 1000V RMS AT SEA LEVEL
9. ▲ DENOTES CRITICAL PARAMETER.
10. 2002/95/EC (ROHS) COMPLIANT
11. CONTACT MATERIAL: SILVER



ISOMETRIC



D	20203	UPDATE DRAWING	10/11/11	BMA
C	17520	REVISED AND REDRAWN	7/31/07	BF
REV	PCR NO	DESCRIPTION	DATE	BY

TITLE DM085Q101F030P1A				
SCALE	DATE	DR	DWG	REV
4:1	7/31/2007	BF	P030020	D

THE INFORMATION CONTAINED IN THIS DOCUMENT IS PROPRIETARY TO E-SWITCH AND IS NOT TO BE COPIED OR TRANSFERRED