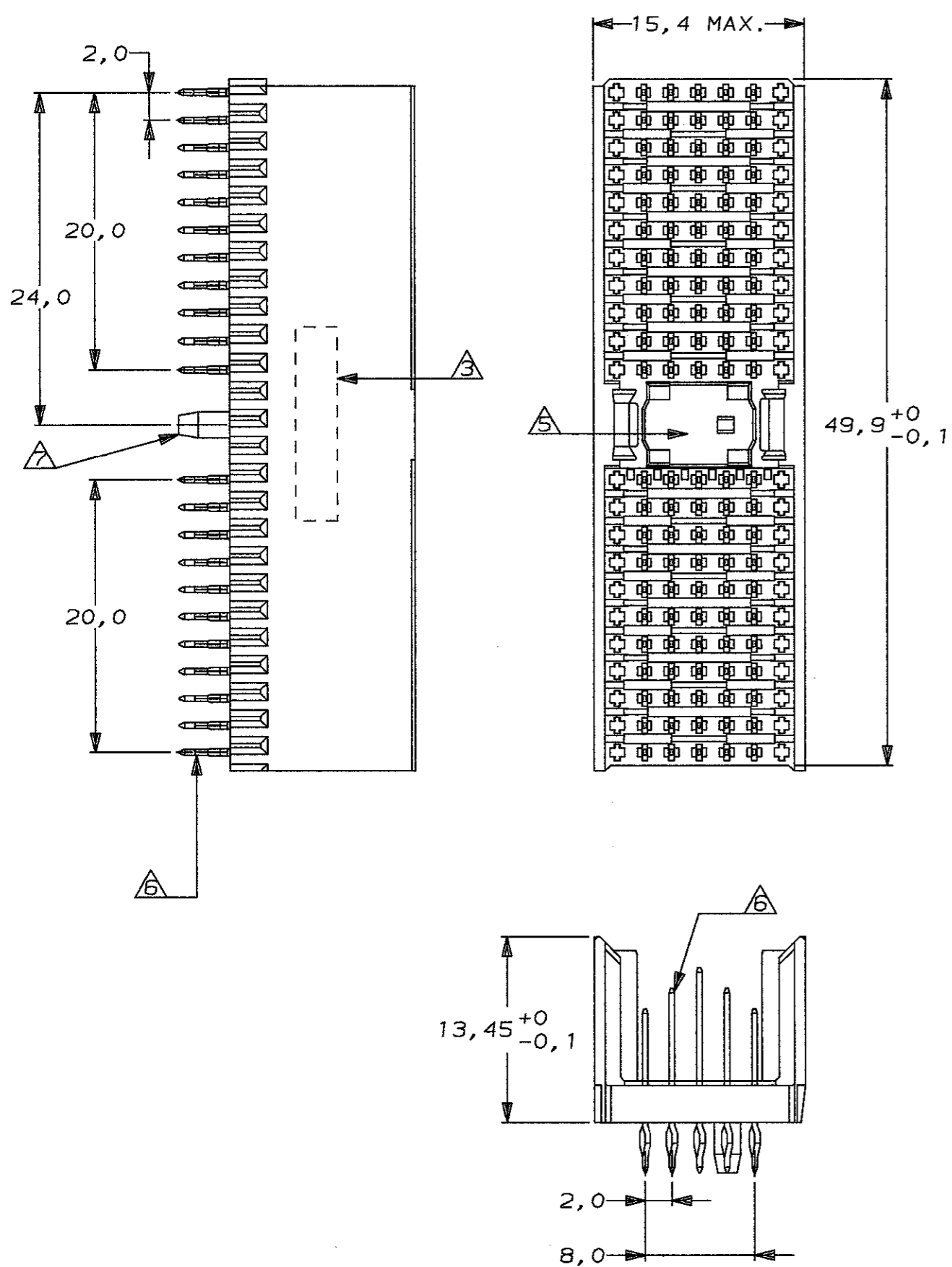
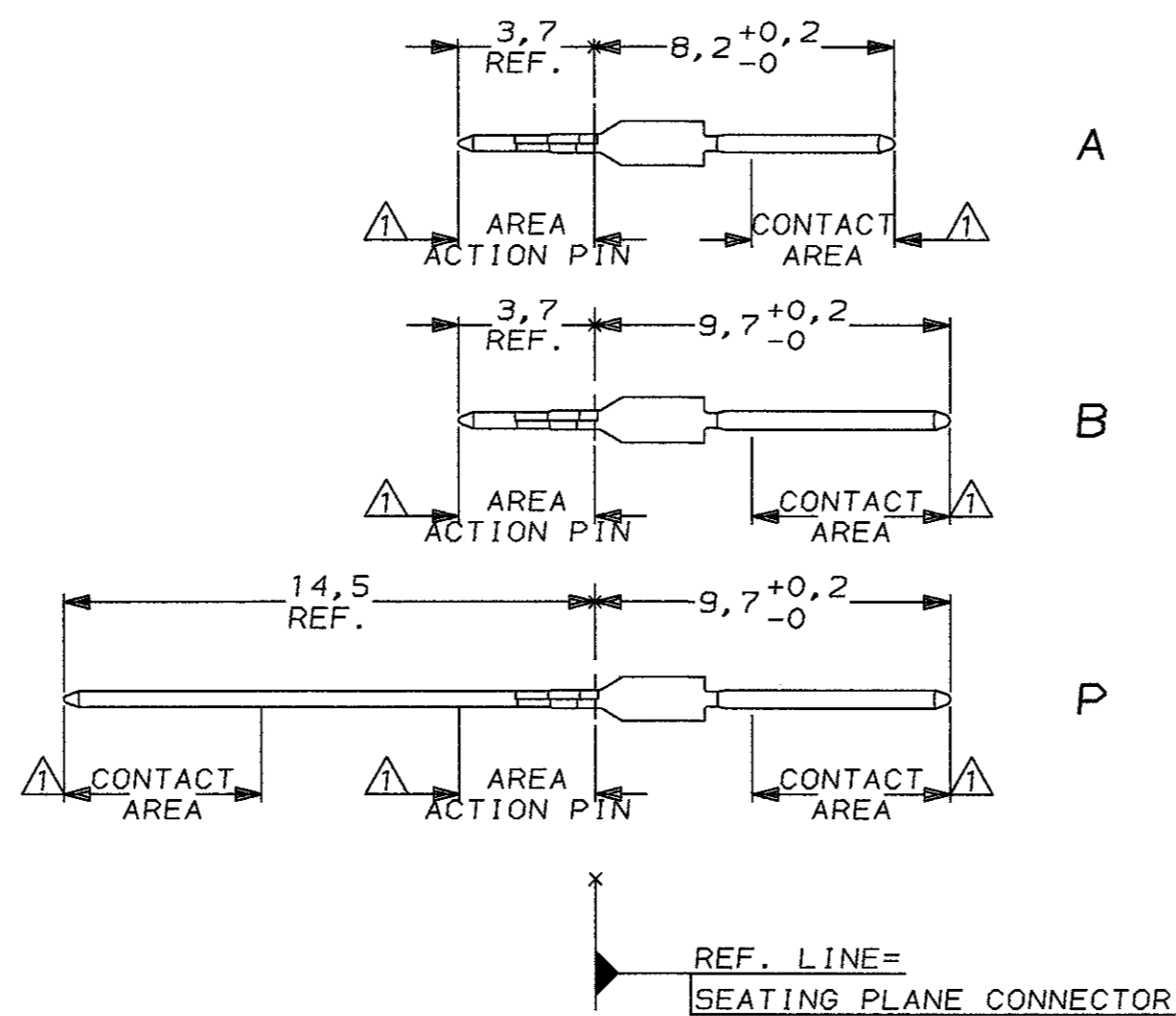


CONNECTOR ASSEMBLY EXAMPLARY LOADED



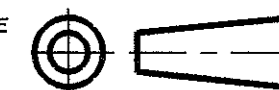
CONTACT DIMENSIONS



DO NOT SCALE
DIMENSIONS IN mm

METRIC

THIRD ANGLE
PROJECTION



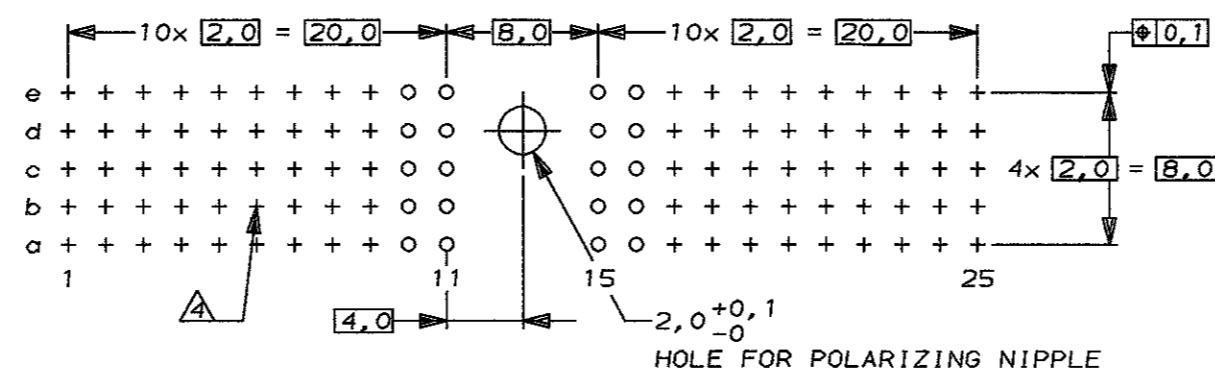
CONTACT LAYOUT

| | z | a | b | c | d | e | f |
|----------------------|---|---|---|---|---|---|---|
| 1 | B | B | A | B | B | | |
| 2 | B | B | B | B | B | | |
| 3 | B | B | B | B | B | | |
| 4 | B | B | B | B | B | | |
| 5 | B | B | B | B | B | | |
| 6 | B | B | B | B | B | | |
| 7 | B | B | B | B | B | | |
| 8 | B | B | B | B | B | | |
| 9 | B | B | B | B | B | | |
| 10 | B | B | B | B | B | | |
| 11 | B | B | B | B | B | | |
| MULTI PURPOSE CENTRE | | | | | | | |
| 15 | P | P | P | P | B | | |
| 16 | P | P | P | P | B | | |
| 17 | P | P | P | P | B | | |
| 18 | P | P | P | P | B | | |
| 19 | P | P | P | P | B | | |
| 20 | P | P | P | P | B | | |
| 21 | P | P | P | P | B | | |
| 22 | P | P | P | P | B | | |
| 23 | P | P | P | P | B | | |
| 24 | P | P | P | P | B | | |
| 25 | P | P | P | P | B | | |

THIS DRAWING IS
PRELIMINARY

- NOTES:**
- ⚠ PLATING
CONTACT AREA: 0,8µm Au MIN. OVER 1,3µm Ni MIN.
ACTION PIN : 0,5µm SnPb MIN. OVER 1,3µm Ni MIN.
 - ⚠ MATERIAL CONTACT: PHOSPHORBRONZE.
MATERIAL HOUSING: GLASSFILLED POLYESTER.
 - ⚠ CONNECTOR PRINTED WITH PARTNUMBER AND DATECODE.
 - ⚠ PLATED-THROUGH HOLES AT 2x2mm SQUARE GRID.
TOTAL 110 HOLES .
 - ⚠ AREA RESERVED FOR KEYING PART (BASIC P.N. 100525).
 - ⚠ FOR ACTUAL PIN LOADING SEE "CONTACT LAYOUT"
 - ⚠ POLARIZING NIPPLE

RECOMMENDED PCB-HOLE LAY-OUT COMPONENT SIDE SHOWN



| P.C.B. HOLE DIM. ACTION PIN | |
|-----------------------------|--------------------|
| DRILLED HOLE: | 0,7±0,025mm |
| FIN. HOLE | : 0,55 TO 0,65mm |
| Cu-thks | : 0,025 TO 0,050mm |
| SnPb-thks | : 0,004 TO 0,010mm |

| FINISH | | MATERIAL | | PARTNUMBER | |
|---|-----------------|----------|-----------------|---|-------------------|
| - | - | - | - | 106760-1 | |
| CUSTOMER DRAWING FOR REFERENCE ONLY WILL NOT BE UPDATED | | | | | |
| © COPYRIGHT 19- BY AMP HOLLAND B.V. ALL INTERNATIONAL RIGHTS RESERVED. AMP PRODUCTS MAY BE COVERED BY U.S. AND FOREIGN AND/OR PATENTS PENDING. | | | | | |
| THIS DRAWING IS UNPUBLISHED AND/OR PATENTS PENDING. RELEASED FOR PUBLICATION | | | | | |
| AMP | | | | AMP HOLLAND B.V. 's-Hertogenbosch, The Netherlands. | |
| NAME Z-PACK 2mm HM TYPE A | | | | | |
| 0 EH-0922-93 JVD BM 01-DEC-93 110 POS. MALE BACKPANEL | | | | | |
| CONNECTOR ASSEMBLY | | | | | |
| LTR. | REVISION RECORD | DR. | CHK. | DATE | |
| DR. V. DREUMEL | CHK. B. MOOIJ | APP. JVD | DATE: 01-DEC-93 | DATE: 20-12-93 | DWG. No. C-106760 |
| REV. LTR. | SHEET | | | | |
| 0 | 1 OF 1 | A2 | | | |