

## Series 14

### HEAVY DUTY 20 AMP DOUBLE-BREAK SWITCHES

This rugged single-pole double-break Butterfly® switch will handle up to 20 amps. Ideal for high-current applications which require long life and reliability.



ACTUAL SIZE

### APPLICATIONS

- Train car door operators
- Bus door operators
- Pendant controls
- Lift trucks
- Heavy industrial machinery

### KEY FEATURES:

- Available in standard or heavy duty mounting
- Semirefactory contacts and offset #6 screw terminals with cup washers are standard
- Sealed button actuator is available
- Button, overtravel plunger or pivoted lever actuator are available
- UL recognized and CSA certified

### ORDERING INFORMATION:

Part Number	Mounting	Operating Force	Release Force	Pretravel	Overtravel	Movement Differential	Operating Point	Actuator Style
14-124	Standard	12 ± 3 oz	4 oz min	.074 max	.030 min	.020 ± .007	.808 ± .013	Standard Button Actuator
14-12404	Heavy Duty	12 ± 3 oz	4 oz min	.074 max	.030 min	.021 ± .007	.090 ± .053	Standard Button Actuator
14-324	Standard	12 ± 3 oz	4 oz min	.074 max	.219 min	.020 ± .007	.830 ± .036	Overtravel Panel Mount
14-724	Standard	5 ± 2 oz	2 oz min	.156 max	.060 min	.046 ± .017	1.406 ± .034	Roller Lever Actuator

### Electrical Ratings:

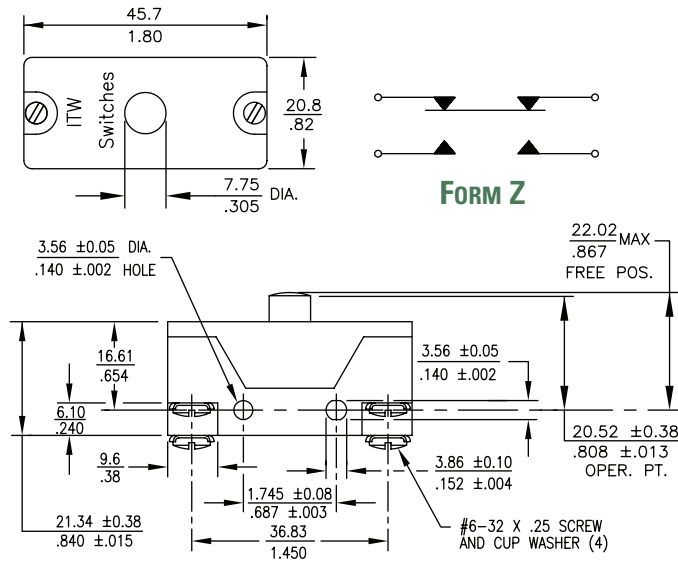
Circuitry	Volts	AC		DC	
		Steady	In-Rush	SPDT	SPST
SPDT-DB(Form Z)	28	20	80	10.0	25.0
SPDT-DB(Form Z)	125	20	80	—	—
SPDT-DB(Form Z)	250	20	80	—	—
SPDT-DB(Form Z)	480	20	50	—	—

UL recognized. Amps @ 125/250/480 VAC 78-80%PF and CSA Certified File No. 16388.  
1 HP 125 VAC, 2 HP 250 VAC. Materials recognized by UL for use at temperatures not exceeding 105° C (220° F)

### STANDARDS / AGENCY / RATINGS:



STANDARD BUTTON ACTUATOR



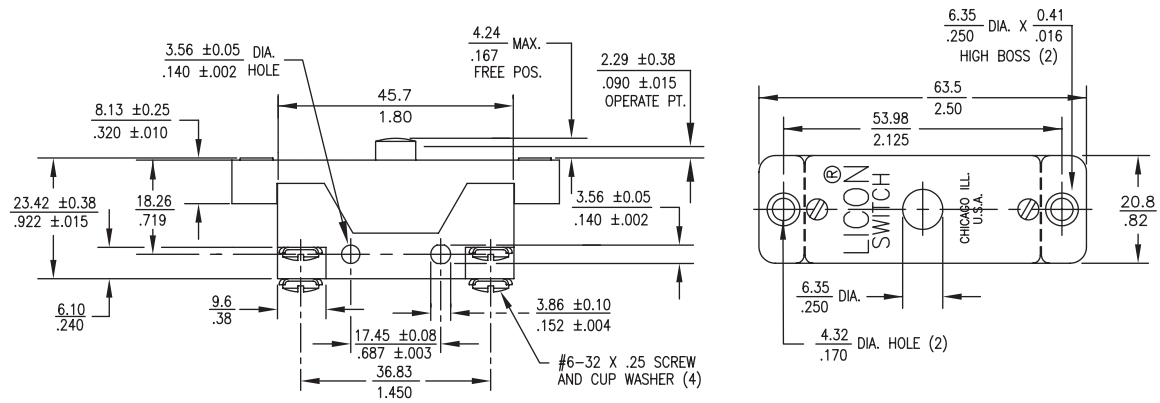
**MECHANICAL / ELECTRICAL CHARACTERISTICS:**

**Circuit:**  
SPDT-DB (Form Z)

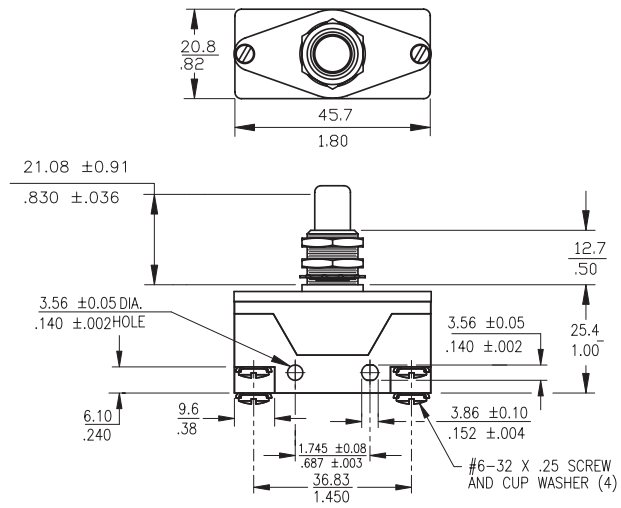
**Terminal:**  
#6 screw with cup washer

**Electrical Ratings :**  
See chart on left

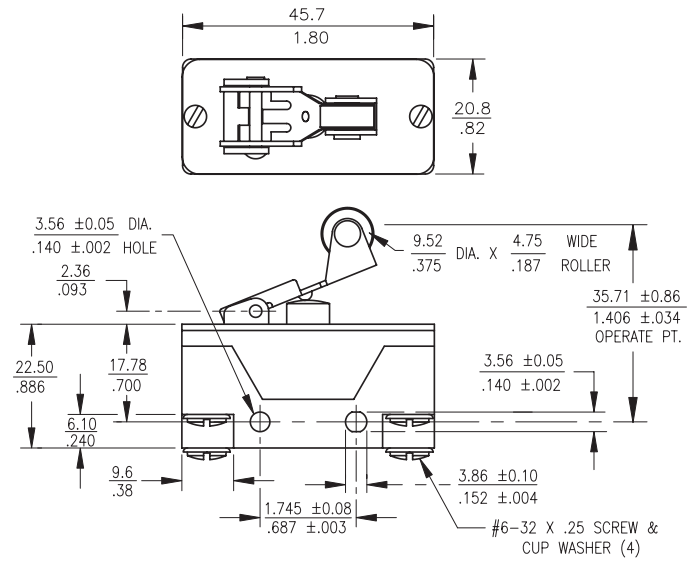
STANDARD BUTTON ACTUATOR—HEAVY DUTY MOUNTING



OVERTRAVEL PANEL MOUNT



ROLLER LEVER



Copyright © 2011 ITW Switches 2011