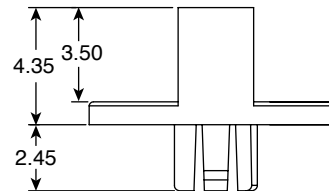
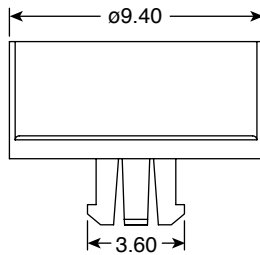
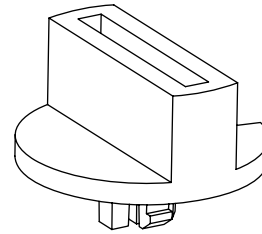
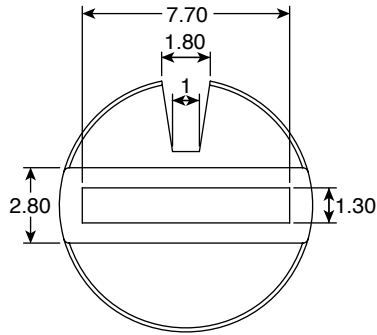


**DIMENSIONS: mm**



**Mechanical Specifications:**

- General Tolerances: Max.  $\pm 0.20$ mm

**Materials:**

- Color: Black

**Note:**

- RoHS Compliant

**Rotary Switch Knob**  
101-KR3K-EV

