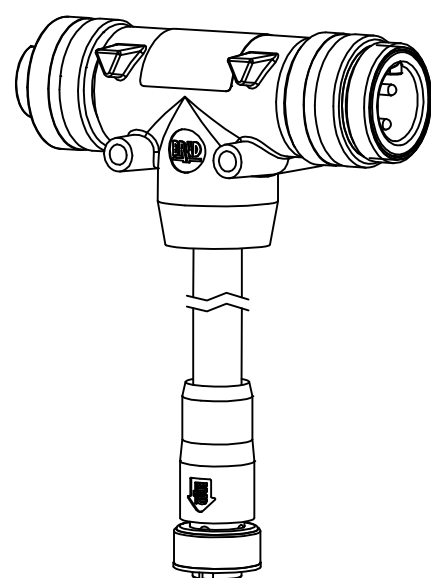


PART NUMBER	ENGINEERING NUMBER	FINISHED LENGTH
1300680107	TC30200K20M010E	1M +56mm-0
1300680108	TC30200K20M020E	2M +89mm-0
1300680109	TC30200K20M040E	4M +165mm-0

PART NUMBER LEGEND
 TC30200K20M010E
 CABLE TYPE 14/3 TC-ER
 FINISHED LENGTH:
 M005= 0.5 METER
 M010= 1 METER
 M100= 10 METER

CHART

CABLE LENGTH TOLERANCES	
>.3M [1FT]	+19mm-0 [+ .75in-0]
.3 - .9M [1 - 3FT]	+44.5mm-0 [+1.75in-0]
.9 - 1.8M [3 - 6FT]	+55.6mm-0 [+2.19in-0]
1.8 - 3.7M [6 - 12FT]	+88.9mm-0 [+3.50in-0]
3.7 - 7.3M [12 - 24FT]	+165.1mm-0 [+6.50in-0]
7.3-14.6M [24 - 48FT]	+317.5mm-0 [+12.50in-0]
14.6 - 30.5M [48-100FT]	+622.3mm-0 [+24.50in-0]
OVER 30M [100FT]	+2% OF FINISHED LENGTH



NOTE:
 1. MATERIALS: SEE TABLE
 2. FINISHES: SEE TABLE

3. ELECTRICAL DATA:
 TEE QC TO MC
 POLES: 3
 MAX. VOLTAGE: 600V AC/DC PER UL 2237
 630V AC/DC PER IEC 60664 (B2)
 MAX. THRU CURRENT: 32A
 MAX. DROP CURRENT: 15A
 PROTECTION: IP67 (WHEN MATED)
 TEMPERATURE RANGE: -20°C TO 90°C

4. LABEL IS MARKED WITH P/N, DATE CODE, VOLTAGE & AMPERAGE

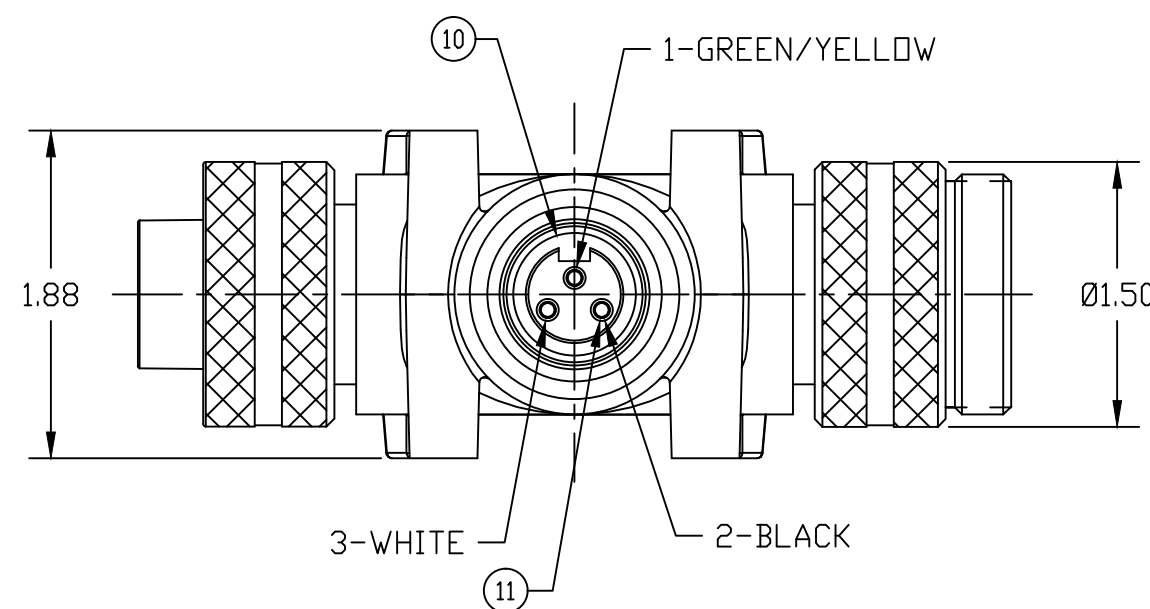
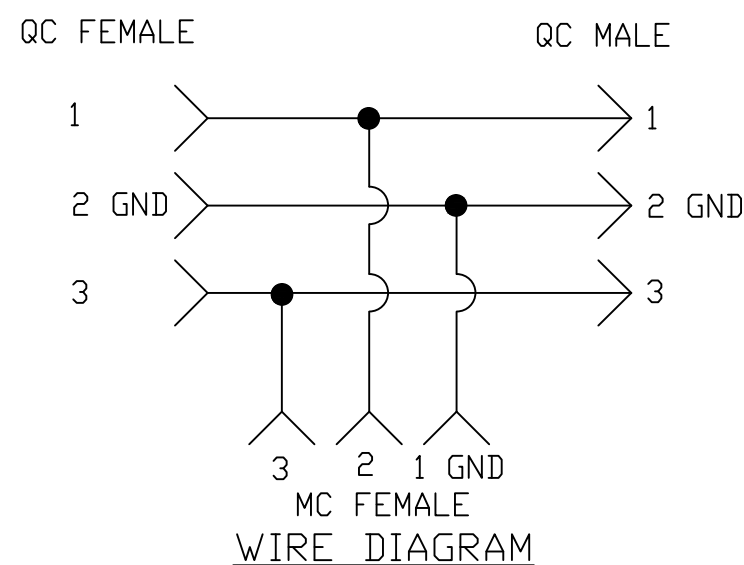
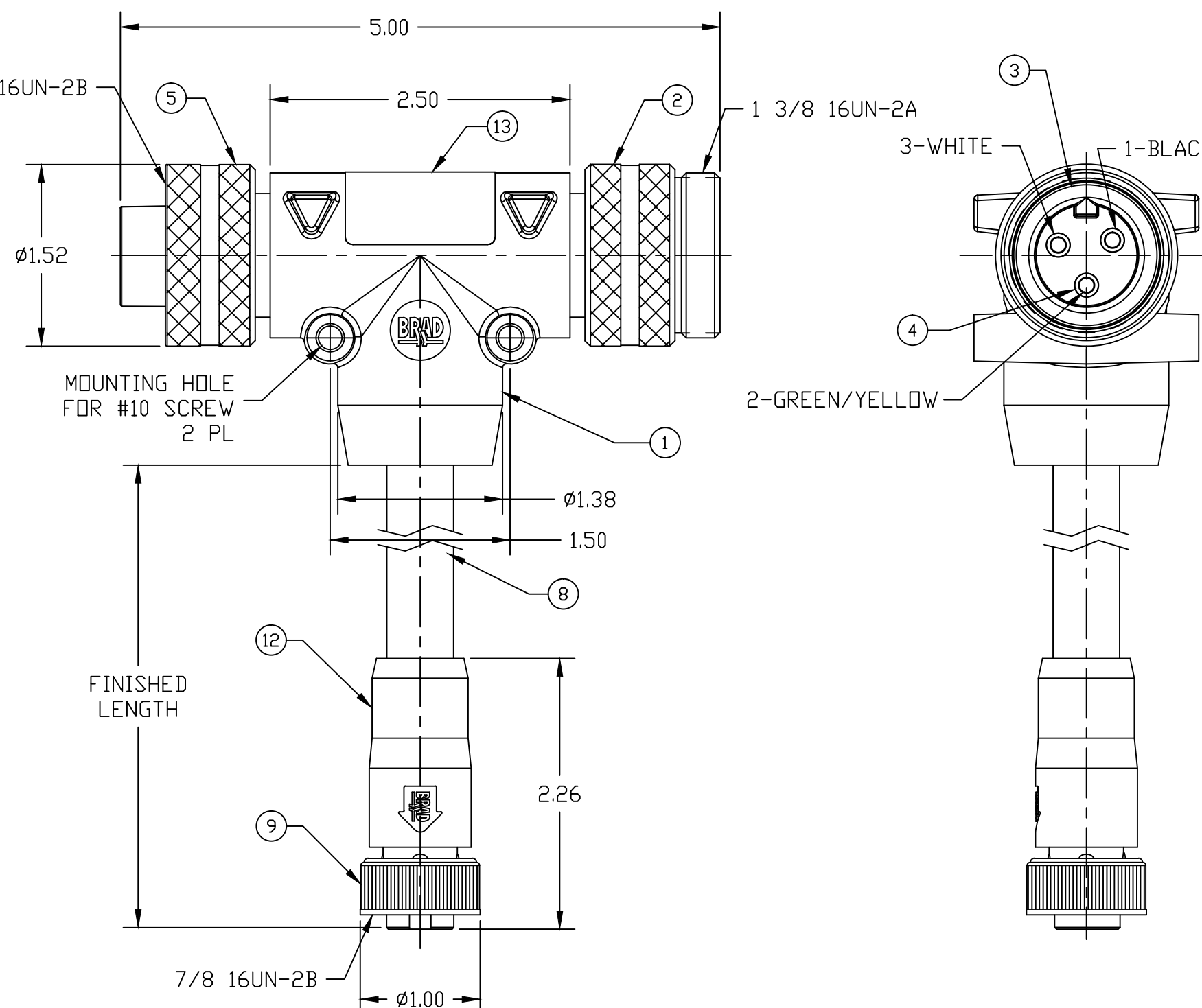
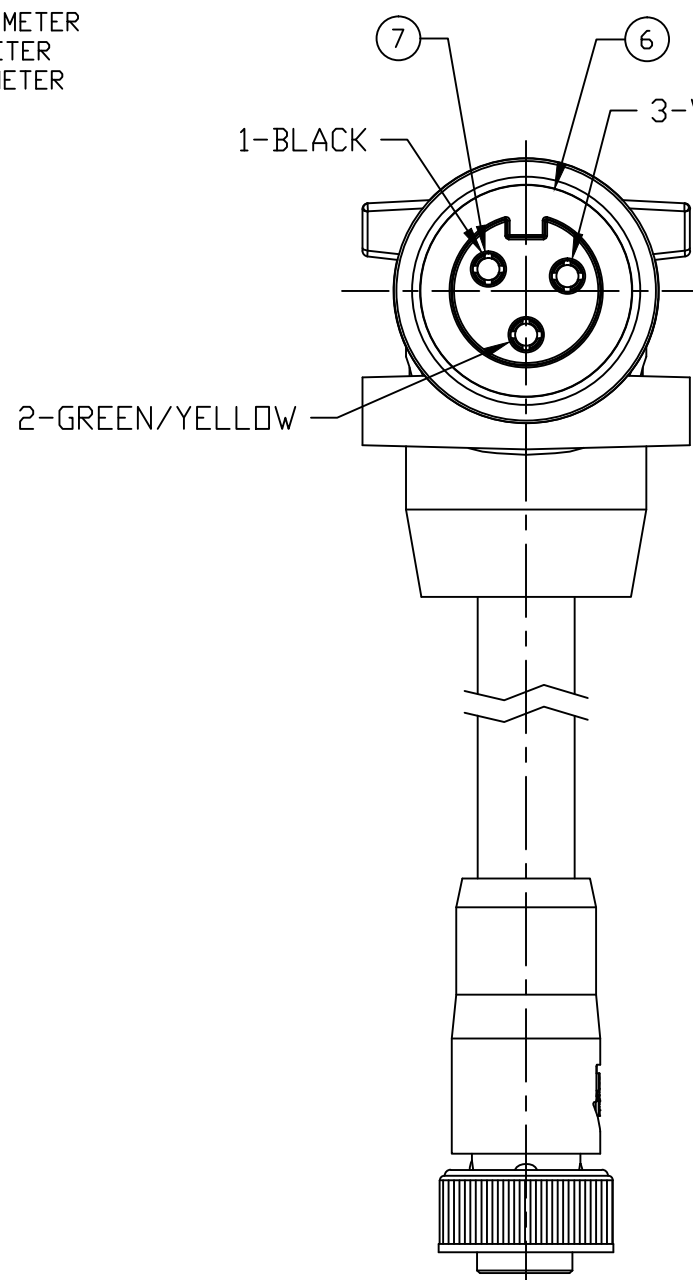
5. PACKAGING:
 ASSEMBLIES ARE BAGGED SEPARATELY IN POLY BAGS WITH BAR CODE LABEL ATTACHED TO THE OUTSIDE OF THE BAG.

6. DIMS SHOWN ARE FOR REFERENCE ONLY (B2) UNLESS NOTED OTHERWISE

7. CERTIFICATION:
 UL LISTED/CSA CERTIFIED , FILE E258922

TABLE

ITEM	QTY	DESCRIPTION	MATERIAL	FINISH
13	1	LABEL	VINYL	BLACK/YELLOW
12	1	MC OVERMOLD	PVC	RED
11	3	MC SOCKET CONTACT	COPPER ALLOY	GOLD PLATED
10	1	MC FEMALE INSERT	PVC	BLACK
9	1	MC COUPLING NUT	ZINC ALLOY	BLACK E-COAT
8	A/R	CABLE, 14/3 TYPE TC-ER	TPE	BLACK
7	3	QC SOCKET CONTACT	COPPER ALLOY	GOLD PLATED
6	1	QC FEMALE INSERT	PVC	BLACK
5	1	QC FEMALE COUPLING NUT	ALUMINUM	CLEAR ANODIZE
4	3	QC PIN CONTACT	COPPER ALLOY	GOLD PLATED
3	1	QC MALE INSERT	PVC	BLACK
2	1	QC MALE COUPLING NUT	ALUMINUM	CLEAR ANODIZE
1	1	TEE OVERMOLD	PVC	RED
ITEM	QTY	DESCRIPTION	MATERIAL	FINISH



IEC VOLTAGE WAS 500 EC NO.: IPG2017-0977 DRWN: RSTONE 4/26/17 CHKD: M ZIELIN 2017/04/28 APPR: BWOODMAN	QUALITY SYMBOL ▽=0 ∇=0	GENERAL TOLERANCES (UNLESS SPECIFIED)		DIMENSION STYLE INCH		SCALE 1:1	DESIGN UNITS INCH	THIRD ANGLE PROJECTION		
		4 PLACES	±---	±---	DRAWN BY RSTONE	DATE 2016/07/26	TITLE BRAD POWER QC 3P TEE, WITH 3P MC CBL DROP, RED			
		3 PLACES	±---	±---	CHECKED BY M ZIELIN	DATE 2016/07/27	MOLEX INCORPORATED			
		2 PLACES	±---	±---	APPROVED BY	DATE	MATERIAL NO. SEE CHART			
1 PLACE		±---	±---	ANGULAR ±1/2°		DOCUMENT NO. SD-130068-024		SHEET NO. 1 OF 1		
DRAFT WHERE APPLICABLE MUST REMAIN WITHIN DIMENSIONS				SIZE C		THIS DRAWING CONTAINS INFORMATION THAT IS PROPRIETARY TO MOLEX INCORPORATED AND SHOULD NOT BE USED WITHOUT WRITTEN PERMISSION				