

PLEASE CHECK WWW.MOLEX.COM FOR LATEST PART INFORMATION

Part Number: [0522072260](#)
Status: **Active**
Overview:
Description: 1.00mm (.039") Pitch FFC/FPC Connector, SMT, Right Angle, ZIF, Top Contact Style Receptacle, 22 Circuits, Lead-free, Gold Contact Plating, High Barrier Packaging

Agency Certification

CSA	LR19980
UL	E29179

General

Product Family	FFC/FPC Connectors
Series	52207
Overview	ffc_fpc_smt
Product Name	N/A

Physical

Circuits (Loaded)	22
Color - Resin	Natural
Contact Position	Top
Durability (mating cycles max)	30
Entry Angle	90° Angle
Flammability	94V-0
Mated Height (in)	0.106 In
Mated Height (mm)	2.70 mm
Material - Metal	Phosphor Bronze
Material - Plating Mating	Gold
Material - Plating Termination	Tin
Material - Resin	Nylon
Number of Rows	1
Orientation	Right Angle
PC Tail Length (in)	0.079 In
PC Tail Length (mm)	2.00 mm
PCB Locator	No
PCB Retention	Yes
Packaging Type	Embossed Tape on Reel
Pitch - Mating Interface (in)	0.039 In
Pitch - Mating Interface (mm)	1.00 mm
Polarized to PCB	Yes
Stackable	No
Temperature Range - Operating	-30°C to +85°C
Termination Interface: Style	Surface Mount
Wire/Cable Type	FFC/FPC

Electrical

Current - Maximum per Contact	1A
Voltage - Maximum	125V

Material Info

Reference - Drawing Numbers

Packaging Specification	SPK-52207-002
Product Specification	PS-52207-048, RPS-52207-073, RPS-52207-075, RPS-52207-078, RPS-52207-084, RPS-52207-090, RPS-52207-092, RPS-52207-094, RPS-52207-099, RPS-52207-101, RPS-52207-106
Sales Drawing	SD-52207-064, SD-52207-065

EU RoHS
ELV and RoHS
Compliant
REACH SVHC
Contains SVHC: No
Halogen-Free
Status
Not Halogen-Free

China RoHS



Need more information on product environmental compliance?

Email productcompliance@molex.com
 For a multiple part number RoHS Certificate of Compliance, [click here](#)

Please visit the [Contact Us](#) section for any non-product compliance questions.

Search Parts in this Series
[52207Series](#)

This document was generated on 06/04/2010

PLEASE CHECK WWW.MOLEX.COM FOR LATEST PART INFORMATION

注記 NOTES

△ 接点部までの嵌合長さ。
MATING LENGTH TO CONTACT POINT.

2. 使用材料 MATERIAL
ハウジング : 46ナイロン (耐熱性), UL94V-0
ハウジング : HEAT-RESISTANT NYLON46, UL94V-0
アクチュエータ : PPS, UL94V-0
アクチュエータ : PPS, UL94V-0
ターミナル : リン青銅 (t=0.32)
ターミナル : LIN BRONZE (t=0.32)

メッキ
コンタクト部 : 金メッキ 0.1マイクロメートル以上
テール部 : 錫メッキ 1.0マイクロメートル以上
下地メッキ : ニッケル 1.0マイクロメートル以上
TERMINAL : PHOS-BRO.(I=0.32)
PLATED
CONTACT AREA : GOLD PLATED 0.1MICROMETER MIN.
TAIL AREA : TIN PLATED 1.0MICROMETER MIN.
OVER PLATED : NICKEL PLATED 1.0MICROMETER MIN.
金具 : 銅合金 (t=0.25)
メッキ : 錫メッキ 1マイクロメートル以上
下地メッキ : ニッケル 1マイクロメートル以上
FITTING NAIL : PHOS-BRO.(I=0.25)
PLATED
OVER PLATED : TIN PLATED 1MICROMETER MIN.
OVER PLATED : NICKEL PLATED 1MICROMETER MIN.

△ パターンはくり止め用金具
FITTING NAIL FOR PREVENTION OF FOOT PRINT PEELING.

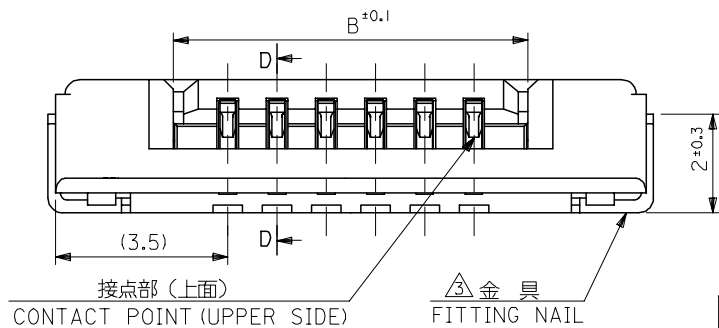
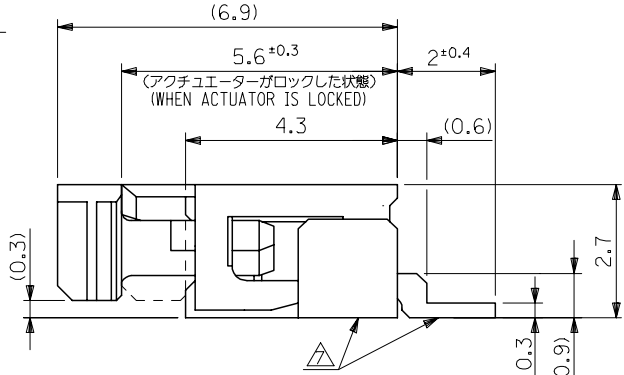
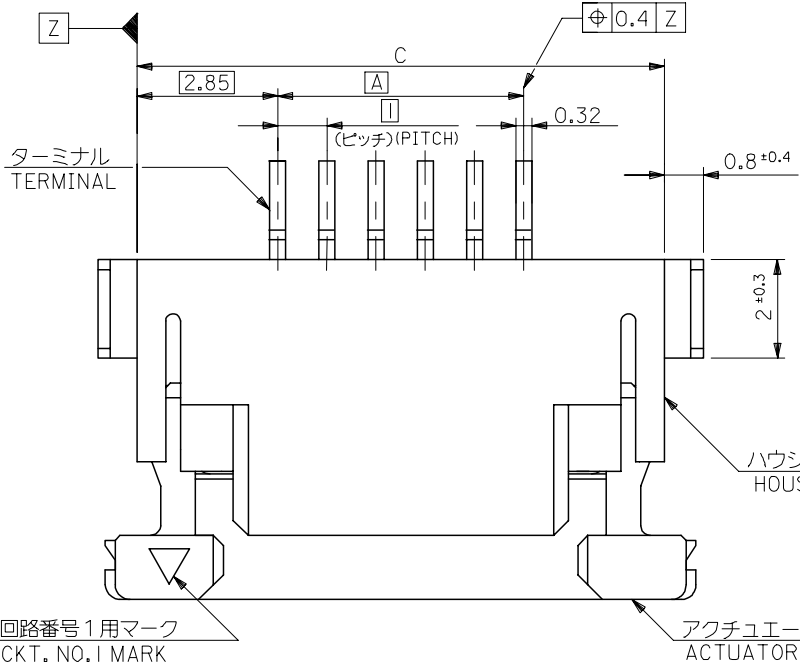
4. エンボステープ梱包時は、アクチュエータが
ロックした状態とする。
ACTUATOR TO BE LOCKED IN EMBOSSED TAPE PACKAGE.

△ F.P.C挿入深さ
INSERTION DEPTH OF FPC.

△ パターン書き込み禁止エリア。
NO FOOT PRINT AREA.

△ テール及び金具の平坦度は、0.15以下とする。
COPLANARITY OUT OF SPECIFICATION.
TAIL : 0.15 MAX.
NAIL : 0.15 MAX.

8. 本製品は 52207-xx*19 の鉛フリー品である。
THIS PRODUCT IS GOLD PLATING OF 52207-xx*19.

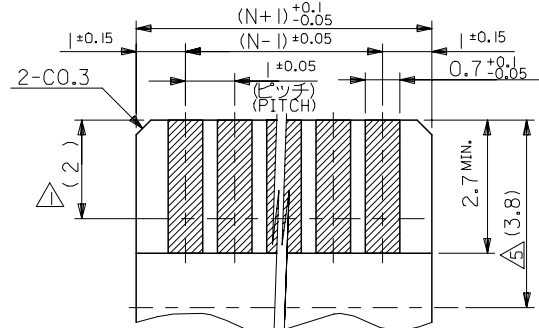


34.7	31.2	29	52207-3067	30
33.7	30.2	28	52207-2967	29
32.7	29.2	27	52207-2867	28
31.7	28.2	26	52207-2767	27
30.7	27.2	25	52207-2667	26
29.7	26.2	24	52207-2567	25
28.7	25.2	23	52207-2467	24
27.7	24.2	22	52207-2367	23
26.7	23.2	21	52207-2267	22
25.7	22.2	20	52207-2167	21
24.7	21.2	19	52207-2067	20
23.7	20.2	18	52207-1967	19
22.7	19.2	17	52207-1867	18
21.7	18.2	16	52207-1767	17
20.7	17.2	15	52207-1667	16
19.7	16.2	14	52207-1567	15
18.7	15.2	13	52207-1467	14
17.7	14.2	12	52207-1367	13
16.7	13.2	11	52207-1267	12
15.7	12.2	10	52207-1167	11
14.7	11.2	9	52207-1067	10
13.7	10.2	8	52207-0967	9
12.7	9.2	7	52207-0867	8
11.7	8.2	6	52207-0767	7
10.7	7.2	5	52207-0667	6
9.7	6.2	4	52207-0567	5
8.7	5.2	3	52207-0467	4
7.7	4.2	2	52207-0367	3
C	B	A	MATERIAL NO.	板数
			MODEL NO. 52207-xx*67	CIRCUITS

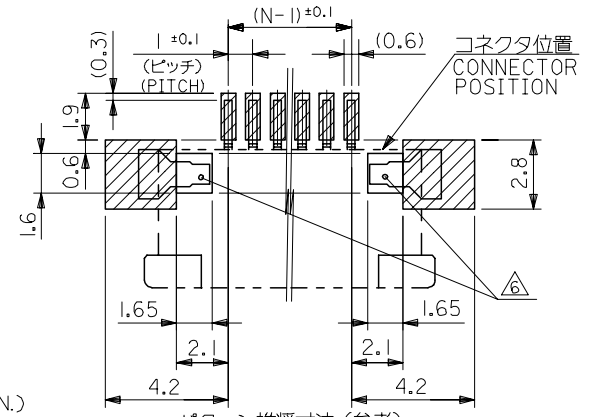
REVISED EC NO: J2007-0873 DRWN: YOTANI 2006/09/22 CHKD: Y. MAEDA 2007/03/23 APPR: NUKITA 2007/03/26	GENERAL TOLERANCES (UNLESS SPECIFIED)		DIMENSION STYLE MM ONLY		SCALE 10:1	DESIGN UNITS METRIC	THIRD ANGLE PROJECTION	
	10 UNDER	±0.2	DRAWN BY M. UMEDA	DATE 2005/03/02	TITLE 1.0 FPC CONN. ZIF SMT HSG ASSY -LEAD FREE-			
	10 OVER 30 UNDER	±0.25	CHECKED BY K. TOYODA	DATE 2005/03/02	MOLEX INCORPORATED			
	30 OVER	±0.3	APPROVED BY N. UKITA	DATE 2005/03/02	DOCUMENT NO. SD-52207-064			
	ANGULAR	±1 °	MATERIAL NO. SEE CHART		SHEET NO. 1 OF 2			
	DRAFT WHERE APPLICABLE MUST REMAIN WITHIN DIMENSIONS		SIZE A3		THIS DRAWING CONTAINS INFORMATION THAT IS PROPRIETARY TO MOLEX INCORPORATED AND SHOULD NOT BE USED WITHOUT WRITTEN PERMISSION			



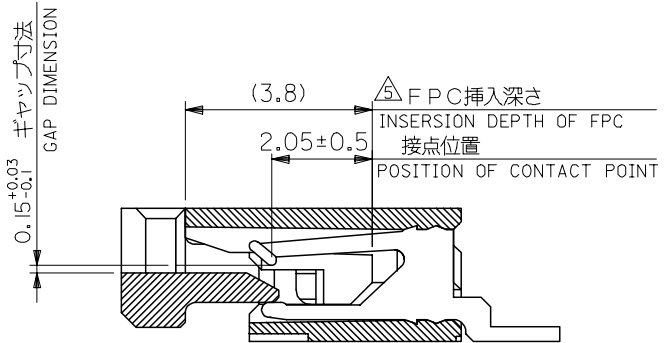
下面図
BOTTOM VIEW



(仕上り厚さ: 0.3±0.05) (メッキ厚: 0.1 μm MIN.)
 (THICKNESS: 0.3±0.05) (PLATING THICKNESS: 0.1 μm MIN.)
 適合FPC/FPC推奨寸法
 RECOMMENDED APPLICABLE
 FPC/FFC LAYOUT



パターン推奨寸法 (参考)
 RECOMMENDED PATTERN DIM.(REF.)



断面D-D
SECT.D-D

FPCについて:
 打抜き方向は、導体側から補強板側を推奨いたします。
 補強フィルム材質は、ポリイミドを推奨いたします。
 接着剤は、熱硬化接着剤を推奨いたします。

ABOUT FPC:
 RECOMMENDED PUNCHER DIRECTION: FROM CONDUCTOR SIDE TO STIFFENER BOARD SIDE.
 RECOMMENDED MATERIAL:
 STIFFENER FILM: POLYIMIDE
 BONDING AGENT: THERMOSETTING BONDING AGENT

REVISED EC NO: J2007-0873 DRWN: OTANI 2006/09/22 CHKD: Y. MAEDA 2007/03/23 APPR: NUKITA 2007/03/26	GENERAL TOLERANCES (UNLESS SPECIFIED)		DIMENSION STYLE MM ONLY	SCALE 10:1	DESIGN UNITS METRIC	THIRD ANGLE PROJECTION
	10 UNDER	±0.2	DRAWN BY M.UMEDA	DATE 2005/03/02	TITLE 1.0 FPC CONN. ZIF SMT HSG ASSY -LEAD FREE-	
	10 OVER 30 UNDER	±0.25	CHECKED BY K.TOYODA	DATE 2005/03/02	MOLEX INCORPORATED	
	30 OVER	±0.3	APPROVED BY N.NUKITA	DATE 2005/03/02		
	ANGULAR	±1 °	MATERIAL NO.	DOCUMENT NO.	SHEET NO.	
DRAFT WHERE APPLICABLE MUST REMAIN WITHIN DIMENSIONS		SIZE A3	SEE SHEET 1	SD-52207-064	2 OF 2	

注記

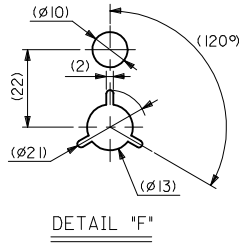
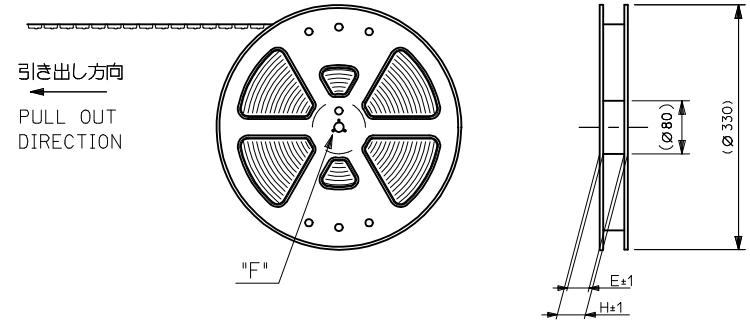
- 製品番号 52207-**67 の梱包状態はアクチュエータがロックした状態とする。
 詳細寸法については図面 SD-52207-064 を参照下さい。
 IN THE PACKAGE, ACTUATOR OF PART NO. 52207-**67 SHOULD BE LOCKED
 RE DETAILED DIMENSIONS, SEE SD-52207-064
- 梱包数量：1000個/リール
 NUMBER OF CONNECTORS: 1000PCS/REEL
- リードテープ長さ(LEAD TAPE LENGTH)
 トップテープ TOP TAPE トップテープ TOP TAPE
 リーダー部 LEADER PART 未接着部 NON-BONDED PART



- トップテープの剥離強度：0.1~1.3N (10gf~130gf) (剥離方向は下図参照)
 尚、本規格値は、出荷時に適用。(但し、輸送時に剥離が発生しない事。)
 PEELING OFF FORCE OF TOP TAPE: 0.1~1.3N (10gf~130gf)
 (PEELING DIRECTION AS SHOWN IN FOLLOWING FIG.)
 THIS REQUIREMENT SHOULD BE APPLIED AT SHIPMENT. (PEEL OFF SHOULD NOT BE ALLOWED, DURING TRANSPORTATION.)



- 材料 (MATERIAL)
 キャリアテープ (CARRIER TAPE): ポリプロピレン (POLYPROPYLENE)
 トップテープ (TOPTAPE): PET, PE, PEF
 リール (REEL): ポリスチレン (PS) <リサイクル材を含む>
 POLYSTYRENE (PS) <RECYCLE MATERIAL CONTAINED>
- 本製品は 52207-**85 の金メッキ品である。
 THIS PRODUCT IS GOLD PLATING OF 52207-**85.
- 本製品は乾燥剤入り、ハイバリア梱包仕様である。
 THIS PRODUCT IS HIGH BARRIER PACKAGE WITH DESICCANT.



DETAIL "F"

MODEL No.52207-**60

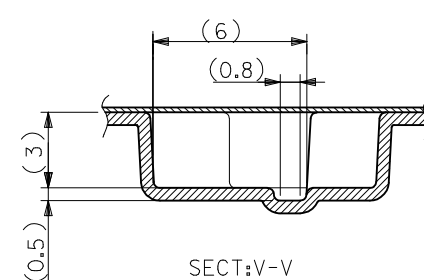
REVISED EC NO: J2009-2061 DRWN:TKON 2009/05/20 CHKD:HMATSUMOTO 2009/05/21 APPR:NUKITA 2009/05/21	DESCRIPTION	GENERAL TOLERANCES (UNLESS SPECIFIED)		DIMENSION STYLE MM ONLY		SCALE ---	DESIGN UNITS METRIC	THIRD ANGLE PROJECTION	
		10 UNDER	±0.2	DRAWN BY M.UMEDA	DATE 2005/03/03	TITLE 1.0 FPC CONN. ZIF SMT WITH EMBSTP PKG -LEAD FREE-			
		10 OVER 30 UNDER	±0.25	CHECKED BY K.TOYODA	DATE 2005/03/03	MOLEX INCORPORATED			
		30 OVER	±0.3	APPROVED BY N.UKITA	DATE 2005/03/03	DOCUMENT NO. SD-52207-065		SHEET NO. 1 OF 5	
		ANGULAR ±1 ° DRAFT WHERE APPLICABLE MUST REMAIN WITHIN DIMENSIONS		MATERIAL NO. SEE SHEET 2		THIS DRAWING CONTAINS INFORMATION THAT IS PROPRIETARY TO MOLEX INCORPORATED AND SHOULD NOT BE USED WITHOUT WRITTEN PERMISSION			



SECT:T-T
16mm 幅 キャリアテープ
16mm WIDTH CARRIER TAPE



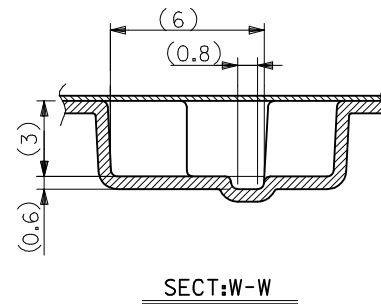
SECT:X-X
24mm 幅 キャリアテープ
24mm WIDTH CARRIER TAPE



SECT:V-V

24	29.4	25.4	18.5	15	11.7	17.3	52207-1160	11
			17.5	14	10.7	16.3	52207-1060	10
			16.5	13	9.7	15.3	52207-0960	9
			15.5	12	8.7	14.3	52207-0860	8
			14.5	11	7.7	13.3	52207-0760	7
			13.5	10	6.7	12.3	52207-0660	6
			12.5	9	5.7	11.3	52207-0560	5
			11.5	8	4.7	10.3	52207-0460	4
16	21.4	17.4	10.5	7	3.7	9.3	52207-0360	3
キャリアテープ幅 CARRIER TAPE WIDTH	H	E	(D)	(C)	(B)	(A)	MATERIAL NO.	極数 CKT.
							MODEL NO. 52207-**-60	

REVISED EC NO.: J2009-2061 DRWN:TKON 2009/05/20 CHKD:HMATSUMOTO 2009/05/21 APPR:NUKITA 2009/05/21	GENERAL TOLERANCES (UNLESS SPECIFIED)		DIMENSION STYLE MM ONLY		SCALE ---	DESIGN UNITS METRIC	THIRD ANGLE PROJECTION	
	10 UNDER	±0.2	DRAWN BY M.UMEDA	DATE 2005/03/03	TITLE 1.0 FPC CONN. ZIF SMT WITH EMBSTP PKG -LEAD FREE-			
	10 OVER 30 UNDER	±0.25	CHECKED BY K.TOYODA	DATE 2005/03/03	MOLEX INCORPORATED			
	30 OVER	±0.3	APPROVED BY N.UKITA	DATE 2005/03/03	DOCUMENT NO. SD-52207-065			
	ANGULAR ±1 °		MATERIAL NO. SEE TABLE		SHEET NO. 2 OF 5			
DRAFT WHERE APPLICABLE MUST REMAIN WITHIN DIMENSIONS		THIS DRAWING CONTAINS INFORMATION THAT IS PROPRIETARY TO MOLEX INCORPORATED AND SHOULD NOT BE USED WITHOUT WRITTEN PERMISSION						



32mm 幅 キャリアテープ
32mm WIDTH CARRIER TAPE

32	37.4	33.4	4.0	0.5	23.5	20	16.7	22.35	52207-1660	16
			4.2	0.6	22.5	19	15.7	21.35	52207-1560	15
			4.2	0.6	21.5	18	14.7	20.35	52207-1460	14
			4.2	0.6	20.5	17	13.7	19.35	52207-1360	13
			4.2	0.6	19.5	16	12.7	18.35	52207-1260	12
キャリアテープ幅 CARRIER TAPE WIDTH	H	E	(G)	(F)	(D)	(C)	(B)	(A)	MATERIAL NO.	種数 CKT.
									MODEL NO. 52207-***60	

REVISED EC NO.: J2009-2061 DRWN:TKON 2009/05/20 CHKD:HMATSUMOTO 2009/05/21 APPR:NUKITA 2009/05/21 G	DESCRIPTION	GENERAL TOLERANCES (UNLESS SPECIFIED)	DIMENSION STYLE MM ONLY	SCALE ---	DESIGN UNITS METRIC	THIRD ANGLE PROJECTION
	REV	10 UNDER ±0.2	DRAWN BY M.UMEDA	DATE 2005/03/03	TITLE 1.0 FPC CONN ZIF SMT WITH EMBSTP PKG -LEAD FREE-	MOLEX INCORPORATED SD-52207-065
		10 OVER 30 UNDER ±0.25	CHECKED BY K.TOYODA	DATE 2005/03/03	DOCUMENT NO. SD-52207-065	
		30 OVER ±0.3	APPROVED BY N.UKITA	DATE 2005/03/03	SEE TABLE	THIS DRAWING CONTAINS INFORMATION THAT IS PROPRIETARY TO MOLEX INCORPORATED AND SHOULD NOT BE USED WITHOUT WRITTEN PERMISSION
		ANGULAR ±1 °	DRAFT WHERE APPLICABLE MUST REMAIN WITHIN DIMENSIONS	SIZE A3		



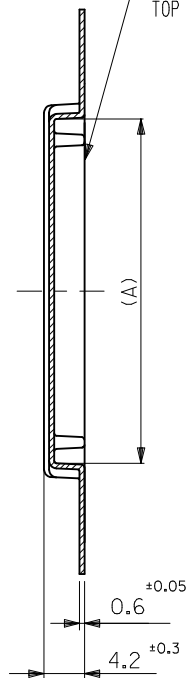
SECT:Z-Z

44mm 幅 キャリアテープ
44mm WIDTH CARRIER TAPE

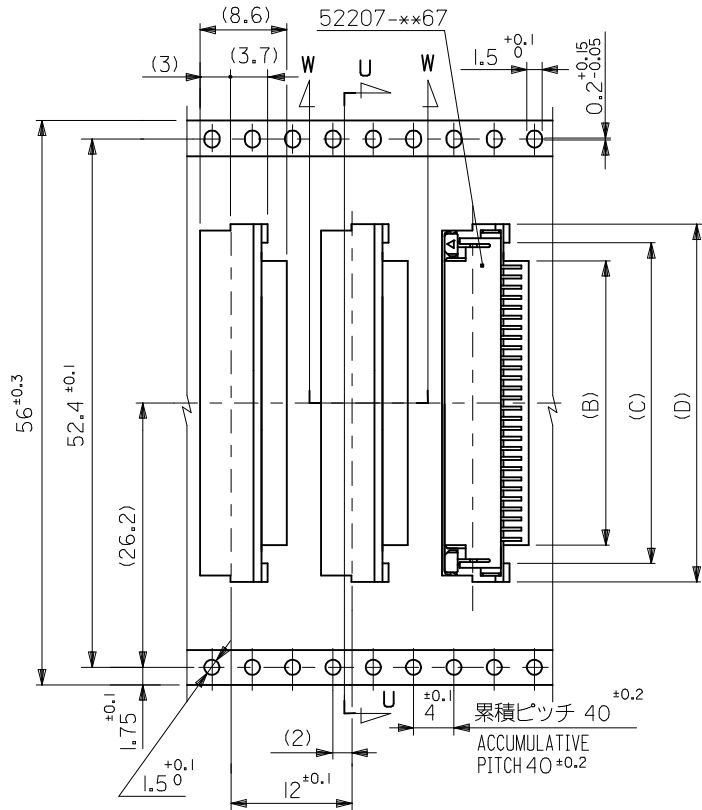
44	49.4	45.4	---	---	34.5	30	27.7	33.35	52207-2760	27
			---	---	33.5	30	26.7	32.35	52207-2660	26
			---	---	32.5	29	25.7	31.35	52207-2560	25
			---	---	31.5	28	24.7	30.35	52207-2460	24
			---	---	29.5	26	22.7	28.35	52207-2260	22
			---	---	28.5	25	21.7	27.35	52207-2160	21
			---	---	27.5	24	20.7	26.35	52207-2060	20
			---	---	26.5	23	19.7	25.35	52207-1960	19
			---	---	25.5	22	18.7	24.35	52207-1860	18
キャリアテープ幅 CARRIER TAPE WIDTH	H	E	(G)	(F)	(D)	(C)	(B)	(A)	MATERIAL NO. MODEL NO. 52207-***60	種数 CKT.

REVISED EC NO: J2009-2061 DRWN:TKON 2009/05/20 CHKD:HMATSUMOTO 2009/05/21 APPR:NUKITA 2009/05/21 G REV	GENERAL TOLERANCES (UNLESS SPECIFIED)		DIMENSION STYLE MM ONLY		SCALE ---	DESIGN UNITS METRIC	THIRD ANGLE PROJECTION			
	10 UNDER	±0.2	DRAWN BY M.UMEDA	DATE 2005/03/03	TITLE 1.0 FPC CONN ZIF SMT WITH EMBSTP PKG -LEAD FREE-					
	10 OVER 30 UNDER	±0.25	CHECKED BY K.TOYODA	DATE 2005/03/03	MOLEX INCORPORATED					
	30 OVER	±0.3	APPROVED BY N.UKITA	DATE 2005/03/03	MATERIAL NO.	DOCUMENT NO.	SHEET NO. 4 OF 5			
	ANGULAR ±1 ° DRAFT WHERE APPLICABLE MUST REMAIN WITHIN DIMENSIONS		SEE TABLE		SD-52207-065		THIS DRAWING CONTAINS INFORMATION THAT IS PROPRIETARY TO MOLEX INCORPORATED AND SHOULD NOT BE USED WITHOUT WRITTEN PERMISSION			

トップテープ
TOP TAPE



SECT:U-U



56mm 幅 キャリアテープ
56mm WIDTH CARRIER TAPE

56	61.4	57.4	37.5	34	30.7	36.35	52207-3060	30
			36.5	33	29.7	35.35	52207-2960	29
			35.5	32	28.7	34.35	52207-2860	28
キャリアテープ幅 CARRIER TAPE WIDTH	F	E	(D)	(C)	(B)	(A)	MATERIAL NO.	CIRCUIT

REVISED EC NO: J2009-2061 DRWN:TKON 2009/05/20 CHKD:HMATSUMOTO 2009/05/21 APPR:NUKITA 2009/05/21 G	DESCRIPTION GENERAL TOLERANCES (UNLESS SPECIFIED) 10 UNDER ±0.2 10 OVER 30 UNDER ±0.25 30 OVER ±0.3 ANGULAR ±1 ° DRAFT WHERE APPLICABLE MUST REMAIN WITHIN DIMENSIONS	DIMENSION STYLE MM ONLY		SCALE ---	DESIGN UNITS METRIC	MODEL NO. 52207-***60		THIRD ANGLE PROJECTION	
		DRAWN BY M.UMEDA	DATE 2005/03/03	TITLE 1.0 FPC CONN ZIF SMT WITH EMBSTP PKG -LEAD FREE-					
		CHECKED BY K.TOYODA	DATE 2005/03/03	MOLEX INCORPORATED					
		APPROVED BY N.UKITA	DATE 2005/03/03	MATERIAL NO. SEE TABLE	DOCUMENT NO. SD-52207-065	SHEET NO. 5 OF 5			
		THIS DRAWING CONTAINS INFORMATION THAT IS PROPRIETARY TO MOLEX INCORPORATED AND SHOULD NOT BE USED WITHOUT WRITTEN PERMISSION							