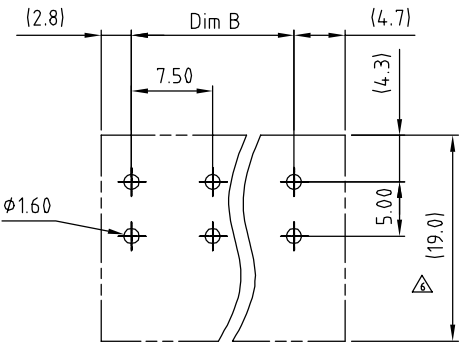
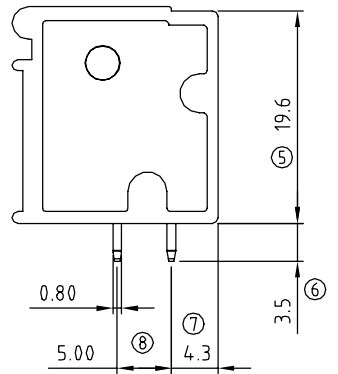


N=Number of Poles



P.C.B LAYOUT

N = Number of poles  
 Dim A=Nx7.5  
 Dim B=(N-1)x7.5

	Dim A	Dim B
2-6p	±0.20	±0.20
7-12p	±0.30	±0.30
13-16p	±0.40	±0.40

SIGN	DATE	DESCRIPTION	APPROVER
△	11.01'05	Standard spec is changed.	Marivn
△	02/01'07	Soldering temperature is changed from 245°C to 250°C	Marivn
△	04/15'10	12Poles to 16Poles	Tason
△	08/25'10	Add the tolerance table	Tason
△	08/25'10	Operating tem. changed from -30° +105° to -40° +115°	Tason
△	08/25'10	Dim 15.2 TO 19.0	Tason
△	08/25'10	Add the Measuring Symbol	Tason
△	03/29'10	The wire inlet is changed.	Tason

Material

- Terminal body  
(metal housing): steel stamped
- Terminal screw: Steel Zinc plating "-" slot type
- Contacts: Brass
- Surface of solder tail: Tin plated
- Insulator (housing): Thermoplastic (UL94V-0)

△ Electrical cULus

- Voltage rating: 300VAC
- Current rating: 20A
- Wire range:
  - Solid wire(AWG): 12-22
  - Stranded wire(AWG): 12-22
- Torque(Lb-In): 2.4
- Screw: M2.5
- Wire strip length: 10-11mm
- Withstanding Voltage: 1.6KV
- Operating temperature: -40°C to +115°C
- Soldering temperature: 250°C±10°C/5 Sec
- Safety Approval: cULus

TR xx 25 x 0 xxxx G

- 0 Black (RAL9005)
- 02 2Poles 2 Red (RAL3001/D) 0000: "@" Logo RoHS
- 03 3Poles 3 Orange(RAL2011/P) 000A: "ANYTEK" Logo Pb<40,000ppm
- ... .. 4 Yellow(RAL1018/A) Any special item by customer request.
- 16 16Poles 5 Green(RAL6018/T) please contact sales department.
- △ 6 Blue (RAL5015/A)
- 8 Grey(RAL7035/D)
- C Green(RAL 6018/U)

<b>ANYTEK</b>				<b>CUSTOMER COPY</b>			
TITLE		TR 7.5 Series Vertical (90D wire inlet)					
PART NO.		TRxx25x0xxxxG		DWG NO.		8TR0102	
APPROVED		CHECKED		DESIGNED		DRAWN	
		Tason 2011.03.29		Tason 2010.04.15		CUST NO.	
				SHEET: 01/01		Tolerance	
				UNIT: mm		X. ±0.50	
				SCALE: NONE		X.X ±0.30	
				REV.: G		X.XX ±0.10	
						X° ±1°	