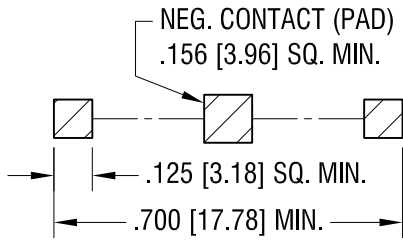
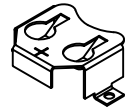
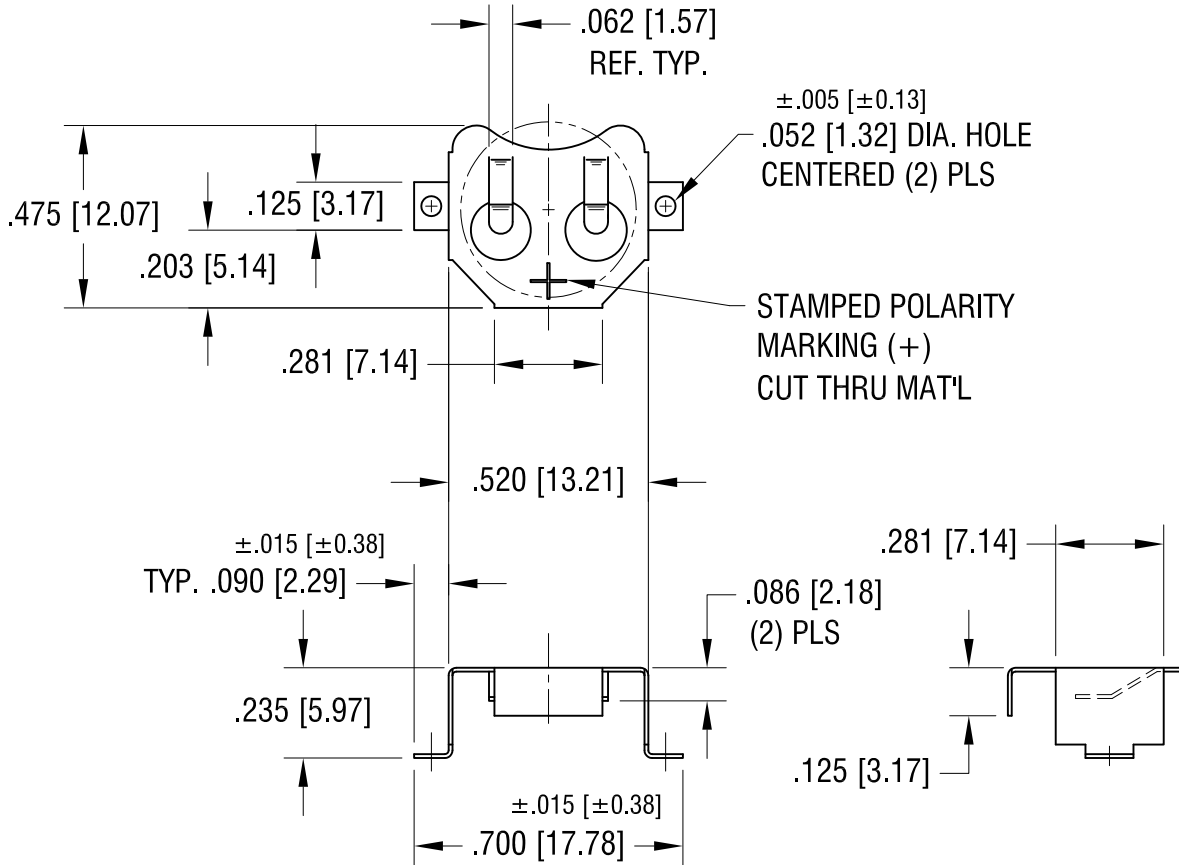


THIS DOCUMENT IS THE PROPERTY OF KEYSTONE ELECTRONICS CORP. AND SHALL NOT BE REPRODUCED, DISTRIBUTED OR USED AS A BASIS FOR MANUFACTURE WITHOUT PRIOR WRITTEN PERMISSION FROM KEYSTONE ELECTRONICS CORP.

ACTUAL SIZE



MOUNTING PAD LAYOUT



12.27.16	CHANGE AS PER ECN 16-121	F
3.10.08	CHANGE AS PER ECN 08-093	E
9.17.07	CHANGE AS PER ECN 07-057	D
5.29.07	CHANGE AS PER ECN 07-027	C
9.22.06	CHANGE AS PER ECN 06-063	B
DATE	DESCRIPTION	REV.

KEYSTONE ELECTRONICS CORP.			
www.keyelco.com • ASTORIA, N.Y. 11105-2017 • Tel (718) 956-8900			
PART NAME 11.6mm SM BUTTON CELL RETAINER			
MATERIAL .010 [0.25] TH'K PHOSPHOR BRONZE			
FINISH TIN NICKEL PLATE		DRN BY BOONE	DATE 5.10.05
		APP'D LN	SCALE 2X
TOLERANCES	INCH [MM]	CODE	DWG NO.
DECIMAL	± .010 [± 0.25]	C	2996
ANGULAR	± 1°		
UNLESS OTHERWISE SPECIFIED			