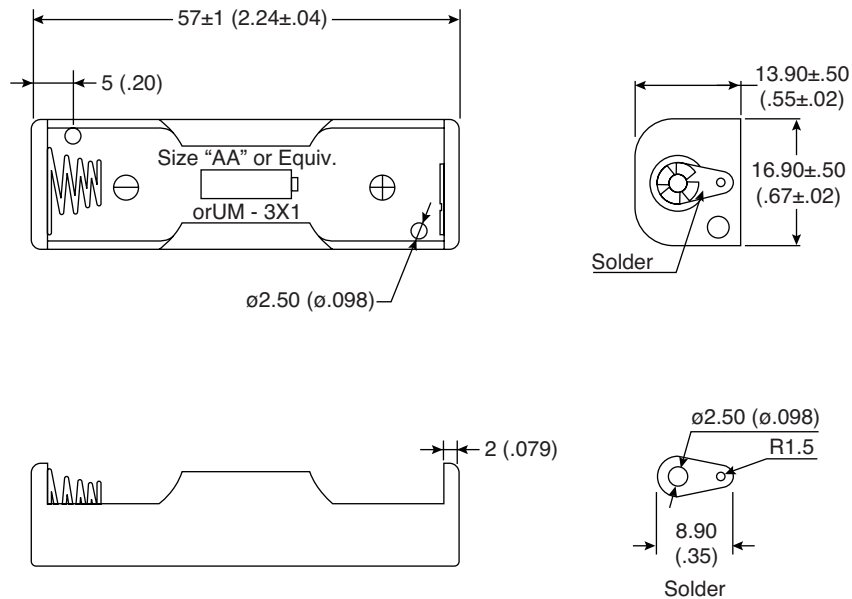
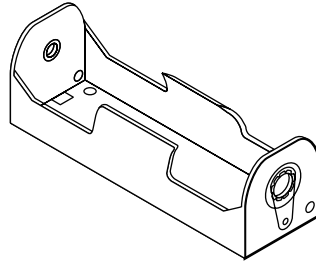


1 "AA" Battery Holder with Solder Lugs

12BH311-GR

Date Last Revised: 3-17-08



Dimensions: mm (in.)

SPECIFICATIONS

Cell:	Holds 1 "AA"
Housing Material :	PP Resin, black color
RoHS Compliant	

Available from Mouser Electronics
1-800-346-6873 / www.mouser.com

EPD-200656