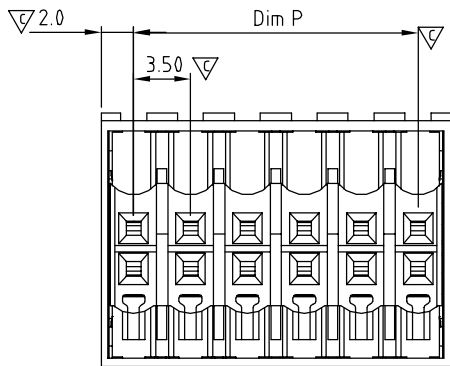
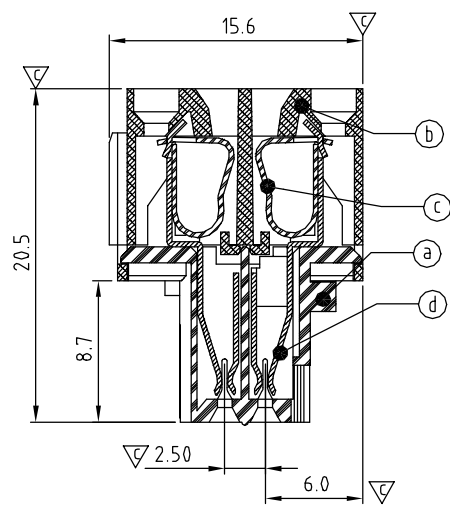
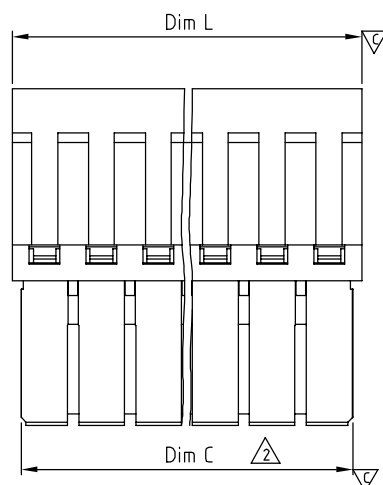


SIGN	DATE	DESCRIPTION	APPROVER
△	05/24`11	The cULus is added	Runner
△	05/24`11	The dimension is added	Runner

*THIS IS CAD DRAWING, DO NOT REVISE MANUALLY!!!*



N=Number of poles

Dim L=(N/2-1)×3.5+4.0
Dim P=(N/2-1)×3.5
△ Dim C=N/2×3.5-0.6

POLES	Dim. Tol	Dim.L	Dim.P	Dim.C
2x2p-2x6p		±0.15	±0.10	+0.0 -0.15
2x7p-2x12p		±0.25	±0.20	+0.0 -0.20
2x13p-2x18p		±0.30	±0.25	+0.0 -0.25
2x19p-2x24p		±0.40	±0.35	+0.0 -0.30

**Material**

- Item ① Terminal up housing Thermoplastic ( UL94V-0 )
- Item ② Terminal down housing Thermoplastic ( UL94V-0 )
- Item ③ Spring clamp Stainless steel
- Item ④ Female contact PhBz , Tin plated

**Electrical**

- Voltage rating: 150V
- Current rating: 7A
- Solid wire(AWG): 18-28
- Stranded wire(AWG): 18-28
- Wire strip length: 7-8mm
- Withstanding Voltage: 1.6KV
- Operating temperature: -40°C to +115°C
- Safety Approval: cULus
- Critical dimension:

VWxx10x0xxxxG

- NO of poles: 0 Black
- 04 2x2 CONTACTS: 3 Orange
- 06 3x2 CONTACTS: 5 Green
- ... ..: 6 Blue
- 48 24x2 CONTACTS: 8 Grey
- RoHS: Pb<4,000ppm
- 0000 Standard @ Logo
- 000A Standard ANY Logo
- Any special item by customer request, please contact sales department.

<b>ANYTEK</b>				<b>INSPECTION COPY</b>			
				ALL RIGHTS RESERVED. REPRODUCTION OR ISSUE TO THIRD PARTIES IN ANY FORM WHATEVER IS NOT PERMITTED WITHOUT WRITTEN AUTHORITY FROM THE PROPRIETOR. PROPERTY OF ANYTEK TECHNOLOGY CO., LTD			
TITLE		VW 3.5mm Series W/o flange					
PART NO.		VWxx10x0xxxxG			DWG NO.		8VW0002
APPROVED		CHECKED	DESIGNED	DRAWN	CUST NO.		Tolerance
			Runner 2011.05.25	Chen Bo 2011.05.25			X. ±0.50
							X.X ±0.30
					SHEET: 01/01		X.XX ±0.10
					REV.: C		X° ±1°