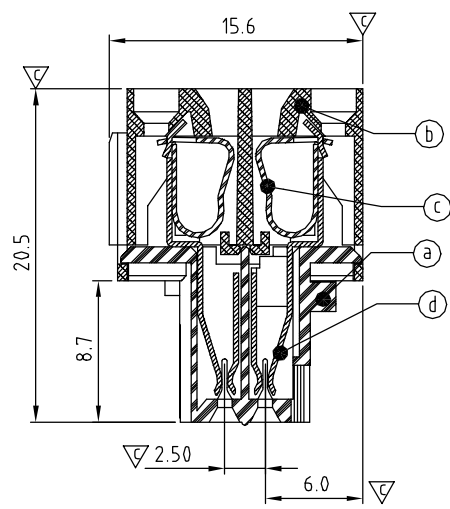
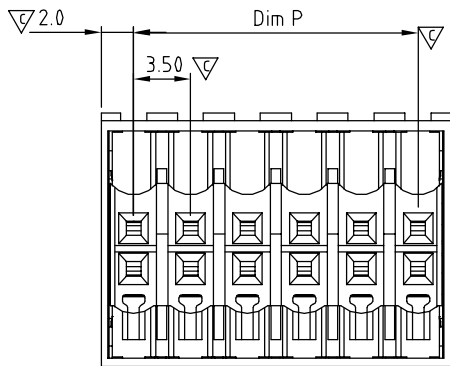
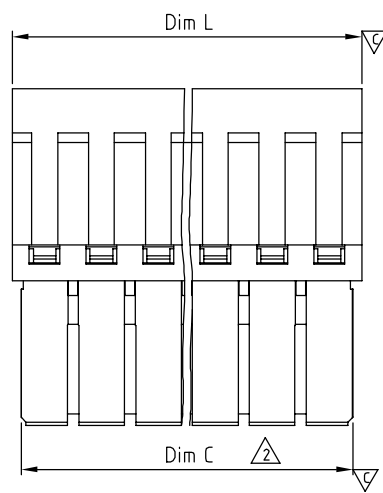


| SIGN | DATE     | DESCRIPTION            | APPROVER |
|------|----------|------------------------|----------|
| △    | 05/24`11 | The cULus is added     | Runner   |
| △    | 05/24`11 | The dimension is added | Runner   |

*THIS IS CAD DRAWING, DO NOT REVISE MANUALLY!!!*



SECTION A-A

N=Number of poles

|                       |
|-----------------------|
| Dim L=(N/2-1)×3.5+4.0 |
| Dim P=(N/2-1)×3.5     |
| △ Dim C=N/2×3.5-0.6   |

| POLES       | Dim. Tol | Dim.L | Dim.P | Dim.C         |
|-------------|----------|-------|-------|---------------|
| 2x2p-2x6p   |          | ±0.15 | ±0.10 | +0.0<br>-0.15 |
| 2x7p-2x12p  |          | ±0.25 | ±0.20 | +0.0<br>-0.20 |
| 2x13p-2x18p |          | ±0.30 | ±0.25 | +0.0<br>-0.25 |
| 2x19p-2x24p |          | ±0.40 | ±0.35 | +0.0<br>-0.30 |

**Material**

- Item ① Terminal up housing Thermoplastic ( UL94V-0 )
- Item ② Terminal down housing Thermoplastic ( UL94V-0 )
- Item ③ Spring clamp Stainless steel
- Item ④ Female contact PhBz , Tin plated

**Electrical**

cULus

- Voltage rating: 150V
- Current rating: 7A
- Solid wire(AWG): 18-28
- Stranded wire(AWG): 18-28
- Wire strip length: 7-8mm
- Withstanding Voltage: 1.6KV
- Operating temperature: -40°C to +115°C
- Safety Approval: cULus
- Critical dimension: ▽

VWxx10x0xxxxG

- NO of poles: 0 Black
- 04 2x2 CONTACTS: 3 Orange
- 06 3x2 CONTACTS: 5 Green
- ... ..: 6 Blue
- 48 24x2 CONTACTS: 8 Grey
- RoHS: Pb<4,000ppm
- 0000 Standard @ Logo
- 000A Standard ANY Logo
- Any special item by customer request, please contact sales department.

|               |  |                            |                      |   |              |  |            |
|---------------|--|----------------------------|----------------------|---|--------------|--|------------|
| <b>ANYTEK</b> |  |                            |                      | <b>INSPECTION COPY</b>  |              |  |            |
|               |  |                            |                      | ALL RIGHTS RESERVED. REPRODUCTION OR ISSUE TO THIRD PARTIES IN ANY FORM WHATEVER IS NOT PERMITTED WITHOUT WRITTEN AUTHORITY FROM THE PROPRIETOR. PROPERTY OF ANYTEK TECHNOLOGY CO., LTD |              |  |            |
| TITLE         |  | VW 3.5mm Series W/o flange |                      |   |              |  |            |
| PART NO.      |  | VWxx10x0xxxxG              |                      |   | DWG NO.      |  | 8VW0002    |
| APPROVED      |  | CHECKED                    | DESIGNED             | DRAWN   | CUST NO.     |  | Tolerance  |
|               |  |                            | Runner<br>2011.05.25 | Chen Bo<br>2011.05.25   |              |  | X. ±0.50   |
|               |  |                            |                      |   |              |  | X.X ±0.30  |
|               |  |                            |                      |   | SHEET: 01/01 |  | X.XX ±0.10 |
|               |  |                            |                      |   | REV.: C      |  | X° ±1°     |